

Company	
Dealer	
Date	
Purchase Order N°	

ALUMINIUM 7020	STD <input type="checkbox"/>	TITANIUM GR. 9	<input type="checkbox"/>
----------------	------------------------------	----------------	--------------------------

CUSTOMER DETAILS:

NAME:	SURNAME:
ADDRESS:	TYPE OF DISABILITY:
ZIP CODE:	COUNTRY:
PHONE:	E-MAIL:
DNI/NIE:	

ID CARD:

SERIAL NUMBER:	DATE:
----------------	-------



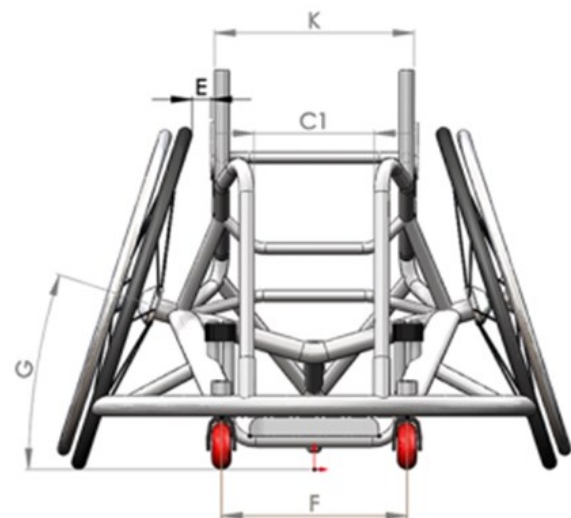
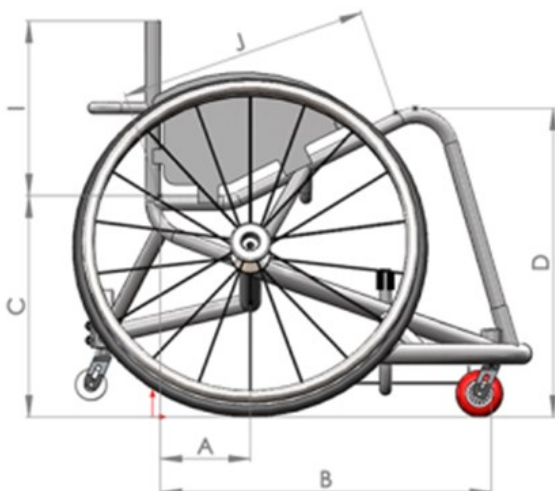
SERIAL NUMBER:

DATE:

MEASUREMENTS:

A CENTER OF GRAVITY (mm)	B FRAME LENGTH (mm)
C REAR SEAT HEIGHT (mm)	D FRONT SEAT HEIGHT (mm)
E GAP (mm)	F DISTANCE BETWEEN CASTORS (mm)
G CAMBER ANGLE (°)	I BACKREST HEIGHT (mm)
J SEAT DEPTH (mm)	K SEAT WIDTH (mm)

COMMENTS:



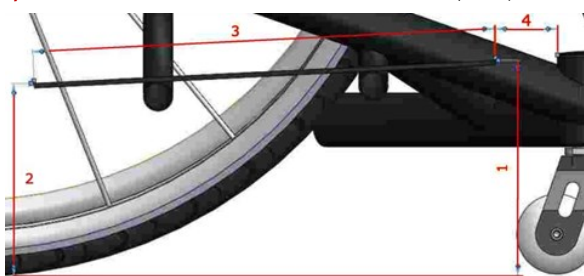
SERIAL NUMBER:

DATE:

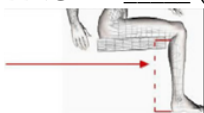
OPTIONS (1/2):

A. FOOTREST

- 1 FRONT HEIGHT ____ (mm)
- 2 REAR HEIGHT ____ (mm)
- 3 DEPTH ____ (mm)
- 4 CASTER POT TO FOOTREST ____ (mm)



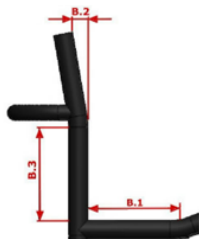
- 5 LOWER LEG LENGTH ____ (mm)



- A1 FIXED FOOTREST
 - A1.1 ALUMINIUM COVER
 - A1.2 CARBON COVER
 - A1.3 CARBON BOX
 - A1.4 ALUMINIUM BOX
- A2 ANGLE & HEIGHT ADJUSTABLE FOOTREST STD
 - A2.1 ALUMINIUM COVER STD
 - A2.2 CARBON COVER
- A3 LIP ON PLATFORM
 - A3.1 FRONT LIP (Height:)
 - A3.2 REAR LIP (Height:)
 - A3.3 SIDES LIP (Height:)

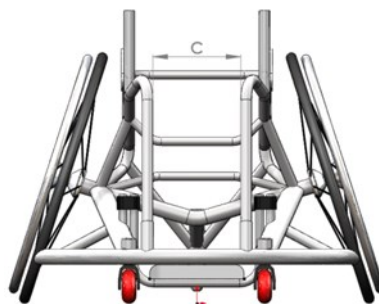
B. ERGO

- B1 ERGO SEAT ____ (mm) STD
- B2 ERGO BACKREST ____ (mm)
- B2 ERGO BACKREST ____ (mm)



C. LEG SUPPORT

- C1 CONIC SEAT ____ (mm) STD
- Distance between the tubes next to the lower legs



D. ANTITIP

- D1 ONE ANTITIP STD
- D2 TWO ANTITIPS



E. REAR WHEELS

- E SIZE: 24" 25"
- 26" 700
- E2 ORACING HANDMADE STD
- E2 ORACING ULTRASTRONG STD
- E3 SPINERGY SPOX
- E4 SPINERGY SLX
- E8 SPINERGY R10
- E6 OTHER _____ €
- E10 NO WHEELS

F. TYRES

- F1 KENDA STD
- F2 SCHWALBE STD

SERIAL NUMBER:

DATE:

OPTIONS (2/2):

G. AXLES

G1 1/2" QUICKRELEASE AXLE STD

G2 AXLE 25mm FREE OF PLAY HEAVY DUTY



G7 5/8" STEEL BUSHINGS

G3 ADAPTER 25mm TO 1/2"



H. FRONT WHEELS

SIZE (MM): H1 55 H3 80

I. PUSHRIMS

POSITION: WIDE NARROW

I1 ANODIZED ALU 6 TABS STD

I2 HARD ANODIZED 12 TABS

I3 STAINLESS STEEL

I4 TITANIUM

J. SIDEGUARDS

1. HEIGHT: _____ mm LENGTH: _____ mm

2. FOLLOW THE WHEELS: _____ mm

J1 ALUMINIUM SCREWED

J2 WELDED SIDEGUARDS

J3 CARBON 5MM

J4 NO SIDEGUARDS STD

M. UPHOLSTERY

M TENSION ADJ. UPHOLSTERY STD

M1 FULL LEATHER UPHOLSTERY

M2 LEATHER TOP SIDES STD

M3 VELCRO LEGS STRAP

HEIGHT: _____ mm LENGTH: _____ mm

M4 CLICK STRAP

M5 CUSHION STD

HEIGHT 50mm 75mm 100mm

HARDNESS Hard Medium Soft

M6 FRAME PROTECTORS

M7 POCKET

K. COLOR/FINISHING

K1 NATURAL ALUMINIUM STD

K2 POWDER COATED RAL _____

L. EXTRAS

L1 ALUMINIUM SEAT PLATE

L2 CARBON SEAT PLATE

L3 STRAP FIXATIONS

COMMENTS

