



| | |
|--------------------|--|
| Company | |
| Dealer | |
| Date | |
| Purchase Order No. | |

CUSTOMER DETAILS

| | |
|------------|---------------------|
| Name: | Surname: |
| Address: | Type of disability: |
| Post Code: | Country: |
| Phone: | Email: |

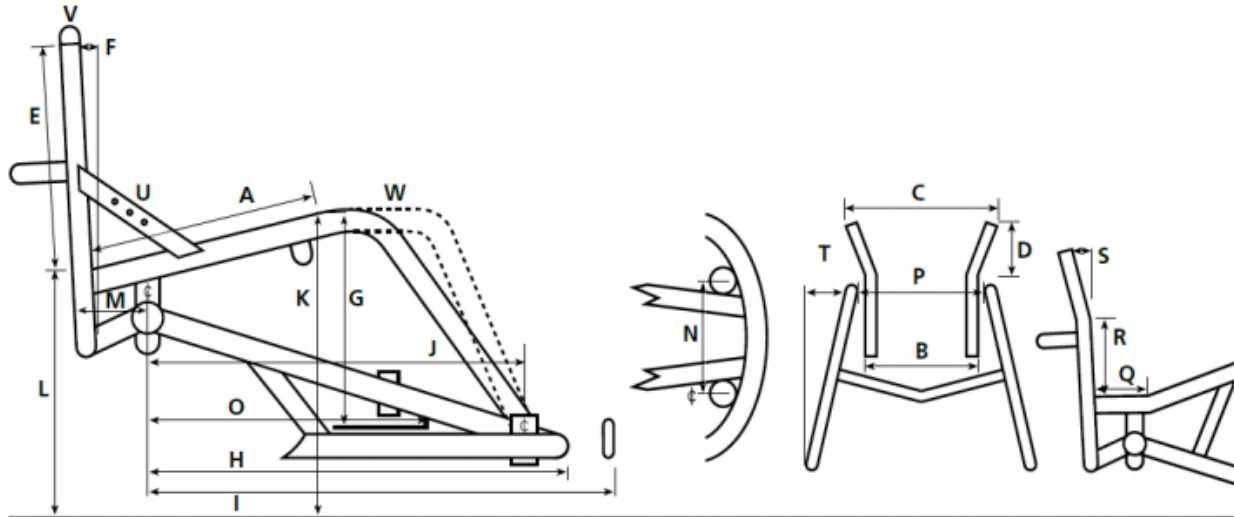
| |
|--------------|
| ID card Nr.: |
|--------------|

| | |
|------|-------|
| S/N: | DATE: |
|------|-------|



| | |
|------|-------|
| S/N: | DATE: |
|------|-------|

| | | | |
|--|--------------------------|--|--------------------------|
| A Seat Length | mm | B Back Width | mm |
| C Back Splay – Top | mm | D Black Splay - Length | mm |
| E Back Height | mm | F Back Angle | ° |
| G Seat to Footplate | mm | H Frame Length (center of camber bar to front of frame) | mm |
| I Overall Frame Length (center of camber bar to front of pick bar) | mm | J Wheel Base (center if camber bar to center of pivot) | mm |
| K Seat to floor - Front | mm | L Seat to floor – Rear | mm |
| M Balance Point | mm | N Pivot Centers | mm |
| O Footplate Position | mm | P Between Wheels | mm |
| Q Ergo Seat – Length | mm | R Ergo Back - Height | mm |
| S Ergo Back - Angle | ° | T Camber Angle | ° |
| U Holes for Binding | | V Flexible Backpost Cap (Fixed back height only) | <input type="checkbox"/> |
| W Transfer Rail | <input type="checkbox"/> | | |
| WINGS <input type="checkbox"/> Single <input type="checkbox"/> Double <input type="checkbox"/> Inverted | | Wing Height | |
| PICK BAR <input type="checkbox"/> Standard <input type="checkbox"/> Inverted <input type="checkbox"/> Steel <input type="checkbox"/> Alloy | | | |



S/N:

DATE:

OPTIONS 1 / 3

A. FOOTREST

- A1. FIXED FOOTREST
- A1.1 ALUMINIUM COVER
- A1.2. CARBON COVER
- A1.3. CARBON BOX
- A1.4. ALUMINIUM BOX

- A2. ANGLE & HEIGHT ADJUSTABLE FOOTREST STD
- A2.1 ALUMINIUM COVER STD
- A2.2. CARBON COVER

- A3. LIP ON PLATFORM
- A3.1 FRONT LIP (HEIGHT: ___)
- A3.2. REAR LIP (HEIGHT: ___)
- A3.3. SIDES LIPS (HEIGHT: ___)

B. FRONT TUBE



- ROUND FRONT TUBE BENT FRONT TUBE

C. LEG SUPPORT:

- C1. CONIC SEAT _____ mm

Distance between the tubes next to the lower legs



D. ANTITIP

- D3. TWO ANTITIP WITHOUT SPRING

E. REAR WHEELS

- E1. DIAMETER: 24" 25" 26" 700cc

- E2. ORACING HAND MADE WHEELS STD

- E7. ORACING ULTRASTRONG WHEEL + 25mm AXLE + TUBULAR TUFO

- E3. SPINERGY SPOX color _____

- E4. SPINERGY SLX color _____

- E8. SPINERGY R10

- E6. OTHER _____

F. TYRE

- F1. KENDA STD

- F1. SCHWALBE STD

G. AXLES

- G1. 1/2" QUICKRELEASE AXLE STD



- G2. AXLE 25mm FREE OF PLAY HEAVY DUTY

- G7. 5/8" STEEL BUSHINGS

- G.3 ADAPTER 25mm to 1/2"



S/N:

DATE:

OPTIONS 2 / 3

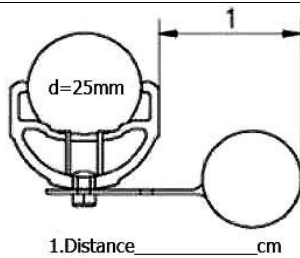
H. SPOKE GUARDS

| | |
|--|--------------------------|
| H1. STANDARD | <input type="checkbox"/> |
| H2. EXTRA LONG | <input type="checkbox"/> |
| H3. ALUMINIUM 1.5mm including WELDED PUSHRIM | <input type="checkbox"/> |



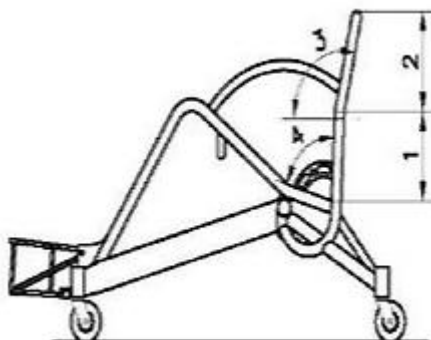
I. PUSHRIMS

| | | |
|-----------------------------|--------------------------|-----|
| I1. ALUMINIUM HARD ANODIZED | <input type="checkbox"/> | STD |
| I2. RUBBER COATED (RED) | <input type="checkbox"/> | |
| I3. PUSHRIMS CLOSE MOUNTED | <input type="checkbox"/> | |



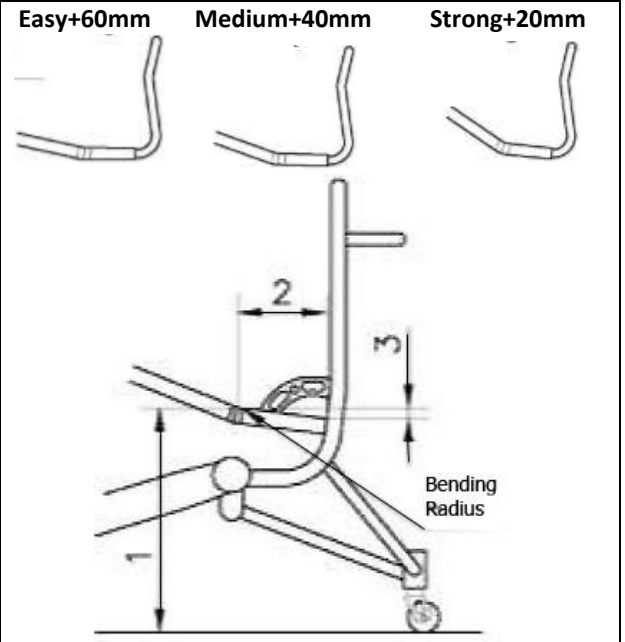
J. ERGO BACKREST

| | |
|---------------------|--------------------------|
| J1. ERGO BACKREST | <input type="checkbox"/> |
| 1 Backrest height 1 | mm |
| 2 Backrest height 2 | mm |
| 3 Angle 3 | ° |
| 4 Angle 4 | ° |



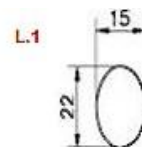
K. ERGO SEAT

| | |
|-----------------------|--------------------------|
| K1. ERGO SEAT | <input type="checkbox"/> |
| 1 Frame Height S-Bend | mm |
| 2 S-Bend (120-170mm) | mm |
| 3 Form factor: | |



L. SIDEGUARDS

| | |
|---|--------------------------|
| L1. OVAL SIDE GUARD | <input type="checkbox"/> |
| L2. SIDEGUARDS WITH BELT | <input type="checkbox"/> |
| <input type="checkbox"/> TWO BELTS <input type="checkbox"/> THREE BELTS | |
| L3. WITH 1.5mm ALUMINIUM SHEET | <input type="checkbox"/> |



L.2



L.3

S/N:

DATE:

OPTIONS 3 / 3

M. FRONT WHEELS

SIZE 55mm 80mm

N. UPHOLSTERY

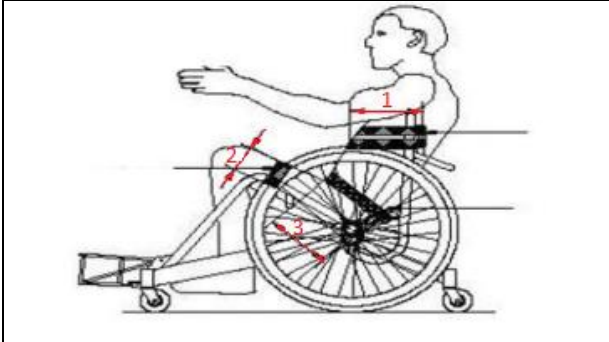
N1. TENSION ADJUSTABLE UPHOLSTERY WITH LEATHER SIDES STD

N2. ELASTIC UPPER BODY STRAP INCLUDING ATTACHMENT
N.1: _____mm

N3. LEG STRAP INCLUDING ATTACHMENT
N.2: _____mm

N4. PELVIS STRAP INCLUDING ATTACHMENT
N.3: _____mm

N5. ANTI PICKING PLATES



CUSHION

HEIGHT 50mm 75mm 100mm

LENGHT Hard Medium Soft

O. COLOR

O1. NATURAL ALUMINIUM STD

O2. PAINT
RAL: _____

P. EXTRAS

P1. STRAP FIXATION

COMMENTS

Large empty rectangular area for user comments.

