



Silicone

- General Information**
- Ideal for use in combination with a shuttle lock or lanyard system
  - Extremely durable
  - Easy to clean
- Indications**
- Residual limbs with a good covering of soft tissue
  - Low to medium activity level
  - Use with a specific weight bearing socket



Urethane

- General Information**
- Best used in combination with valve or vacuum sockets
  - Material flow characteristics ensure even pressure distribution
- Indications**
- All residual limb types, especially sensitive, bony and/or scarred residual limbs
  - Low to high activity level
  - Used with a total surface weight bearing socket according to the Harmony® principle



Copolymer (TPE)

- General Information**
- Best used in lower activity with pin or one way valve.
  - Thermoformable
  - Offers good protection against socket forces
- Indications**
- Many residual limb types; especially residual limbs with dry skin
  - Low to medium activity level
  - Used with a total surface weight bearing socket

Liner selection matrix according to material and product characteristics

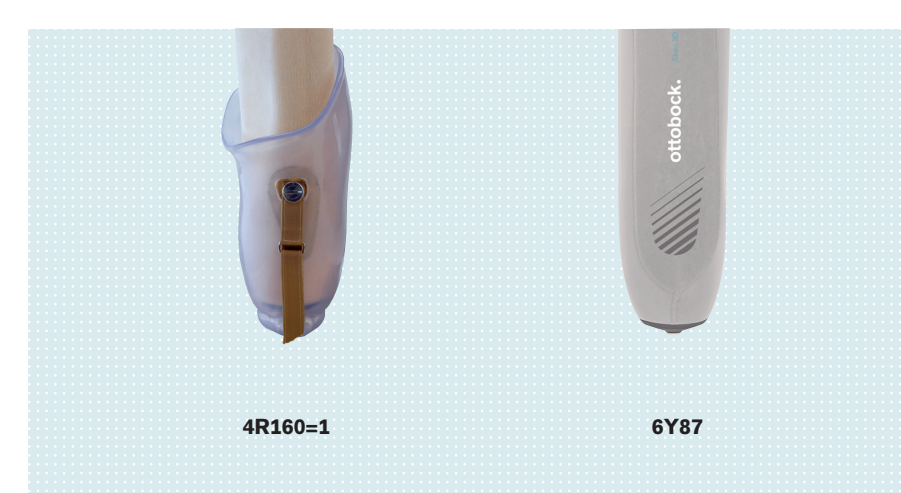
Material	Description	Material	Product image	Characteristics	Distal connector	Textile cover	Sizes					Liner dimensions																																										
							Circumference 4 cm from distal (a)		Residual limb length from knee center (b)																																													
SILICONE	Skeo Pure	6Y41		<ul style="list-style-type: none"> <li>Slick uncovered outer surface for easy donning and quick drying</li> <li>Textured inner surface</li> <li>Distal matrix on locking version</li> <li>6Y41 also available in 6 mm uniform thickness (e.g. 6Y41=280-6)</li> </ul>	without	without	160 mm, 180 mm, 200 mm, 220 mm, 235 mm, 250 mm, 265 mm, 280 mm, 300 mm, 320 mm, 340 mm, 360 mm, 400 mm																																															
		6Y43		<ul style="list-style-type: none"> <li>All residual limb types, especially sensitive, bony and/or scarred residual limbs</li> <li>Low to high activity level</li> <li>Used with a total surface weight bearing socket according to the Harmony® principle</li> </ul>	with	without	120 mm, 140 mm, 160 mm, 180 mm, 200 mm, 210 mm, 220 mm, 235 mm, 250 mm, 265 mm, 280 mm, 300 mm, 320 mm, 340 mm, 360 mm, 380 mm, 400 mm, 420 mm, 450 mm																																															
	Skeo Skinguard (TT)	6Y75		<ul style="list-style-type: none"> <li>Silky, skin-friendly inner surface</li> <li>Integrated distal elongation reduction system</li> <li>Skinguard antibacterial</li> <li>Textured inner surface</li> </ul>	with	with	160 mm, 180 mm, 200 mm, 210 mm, 220 mm, 235 mm, 250 mm, 265 mm, 280 mm, 300 mm, 320 mm, 340 mm, 360 mm, 380 mm, 400 mm																																															
	Skeo 3D (TT)	6Y77		<ul style="list-style-type: none"> <li>Preflexed 20 degrees for easy bending</li> <li>Anatomic Specific Geometry thicker in bony areas and thinner where flexion is needed.</li> <li>Textured inner surface</li> <li>6Y78 With Skinguard Antibacterial</li> </ul>	with	with	<table border="1"> <tr> <th rowspan="2">Circumference 4 cm from distal (a)</th> <th colspan="3">Residual limb length from knee center (b)</th> </tr> <tr> <th>75 mm</th> <th>125 mm</th> <th>175 mm</th> </tr> <tr> <td>180 mm</td> <td>■</td> <td>■</td> <td>■</td> </tr> <tr> <td>200 mm</td> <td>■</td> <td>■</td> <td>■</td> </tr> <tr> <td>220 mm</td> <td>■</td> <td>■</td> <td>■</td> </tr> <tr> <td>235 mm</td> <td>■</td> <td>■</td> <td>■</td> </tr> <tr> <td>250 mm</td> <td>■</td> <td>■</td> <td>■</td> </tr> <tr> <td>265 mm</td> <td>■</td> <td>■</td> <td>■</td> </tr> <tr> <td>280 mm</td> <td>■</td> <td>■</td> <td>■</td> </tr> <tr> <td>300 mm</td> <td>■</td> <td>■</td> <td>■</td> </tr> <tr> <td>320 mm</td> <td>■</td> <td>■</td> <td>■</td> </tr> </table>	Circumference 4 cm from distal (a)	Residual limb length from knee center (b)			75 mm	125 mm	175 mm	180 mm	■	■	■	200 mm	■	■	■	220 mm	■	■	■	235 mm	■	■	■	250 mm	■	■	■	265 mm	■	■	■	280 mm	■	■	■	300 mm	■	■	■	320 mm	■	■	■				
	Circumference 4 cm from distal (a)	Residual limb length from knee center (b)																																																				
		75 mm	125 mm	175 mm																																																		
	180 mm	■	■	■																																																		
200 mm	■	■	■																																																			
220 mm	■	■	■																																																			
235 mm	■	■	■																																																			
250 mm	■	■	■																																																			
265 mm	■	■	■																																																			
280 mm	■	■	■																																																			
300 mm	■	■	■																																																			
320 mm	■	■	■																																																			
Skeo Skinguard (TF)	6Y85		<ul style="list-style-type: none"> <li>High circumferential elasticity</li> <li>Integrated matrix for low lengthwise stretch</li> <li>Skinguard Antibacterial</li> <li>Textured inner surface</li> </ul>	with	with	280 mm, 300 mm, 320 mm, 340 mm, 360 mm, 380 mm, 400 mm, 420 mm, 450 mm, 500 mm, 550 mm																																																
Skeo 3D (TF)	6Y87		<ul style="list-style-type: none"> <li>3D shape, Conical distal and cylindrical proximal</li> <li>Integrated Matrix for low lengthwise stretch</li> <li>Textured inner surface</li> <li>6Y88 with Skinguard Antibacterial</li> </ul>	with	with	280 mm, 300 mm, 320 mm, 340 mm, 360 mm, 380 mm, 400 mm, 450 mm																																																
ProSeal	6Y81 (-10)		<ul style="list-style-type: none"> <li>High transverse elasticity</li> <li>Slick uncovered outer surface for easy donning and quick drying.</li> </ul>	without	without	280 mm, 300 mm, 320 mm, 340 mm, 360 mm, 380 mm, 400 mm, 420 mm, 450 mm, 500 mm, 550 mm																																																
URETHANE	Hybrid	6Y100		<ul style="list-style-type: none"> <li>Hybrid liner with urethane on the inside and durable silicone for the external sealing layer.</li> <li>Best used for double-wall or sub-ischial socket designs with vacuum.</li> <li>Slick uncovered outer surface for ease of donning and doffing.</li> <li>Four bond heights for different socket lengths.</li> </ul>	without	without	Size	75 mm	125 mm	175 mm	225 mm																																											
							Residual limb circumference 40 mm above distal end	(50-100 mm)	(100-150 mm)	(150-200 mm)	(200-250 mm)																																											
							160 mm	Special order	■	■	■																																											
							180 mm	Special order	■	■	■																																											
							200 mm	Special order	■	■	■																																											
							220 mm	Special order	■	■	■																																											
							235 mm	Special order	■	■	■																																											
250 mm							Special order	■	■	■																																												
265 mm							Special order	■	■	■																																												
280 mm							Special order	■	■	■																																												
300 mm							Special order	■	■	■																																												
320 mm	Special order	■	■	■																																																		
340 mm	Special order	■	■	■																																																		
380 mm	Special order	■	■	■																																																		
420 mm	Special order	■	■	■																																																		
Uneo 3D (TT)	6Y512		<ul style="list-style-type: none"> <li>PreFlexed 20 Degrees for easy bending</li> <li>Anatomic Specific Geometry thicker in bony areas and thinner where flexion is needed.</li> <li>Textured inner surface</li> <li>Skinguard Antibacterial option available (-G)</li> </ul>	without	with partial cover (-F) or without	Circumference 4 cm from distal (a)		Residual limb length from knee center (b)																																														
						210 mm	235 mm	250 mm	265 mm	280 mm		300 mm																																										
Uneo (Uniform)	6Y520		<ul style="list-style-type: none"> <li>Ideal pressure distribution</li> <li>Uniform wall thickness</li> </ul>	without	with or without	190 mm, 230 mm, 290 mm, 330 mm, 400 mm																																																
						Uneo (Tapered)	6Y522		<ul style="list-style-type: none"> <li>Tapered wall thickness</li> <li>Ideal pressure distribution</li> <li>Skinguard Antibacterial option available (-G)</li> </ul>	without		without	190 mm, 210 mm, 230 mm, 250 mm, 290 mm, 310 mm																																									
Uneo Unique (Custom)	6Y430		<ul style="list-style-type: none"> <li>Custom shape TF</li> <li>Ideal flow characteristics</li> <li>Ideal pressure distribution</li> </ul>	with or without	with or without		Customized					Customized																																										
	6Y400			with or without	with or without	Customized																																																
	6Y416			with or without	with or without	Custom PUR Liner – for challenging shapes and sizes, such as scarring; undercuts; knee flexion >15-35°; large circumferences (>80cm) or long lengths (MPT to distal end >30cm) i.e. Symes, knee disarticulations, etc.																																																
COPOLYMER (TPE)	Caleo 3D	6Y93=C6		<ul style="list-style-type: none"> <li>Soft, flexible, thermoplastically formed copolymer</li> <li>Thinner wall thickness in rear proximal area (3mm) for optimal knee flexion.</li> <li>Medical-grade white oil</li> </ul>	without	with	4 cm from distal				30 cm from distal																																											
		S			150	260	200	330	Min.	Max.	Min.	Max.																																										
	M	180	310	230	410																																																	
	MP	200	310	330	500																																																	
	L	230	350	360	560																																																	
LP	280	430	400	630																																																		
XL	330	500	430	690																																																		
Caleo (Uniform)	6Y90		<ul style="list-style-type: none"> <li>Medical grade white oil</li> <li>3mm side wall thickness</li> <li>Distal elongation reducing matrix (6Y90)</li> <li>Soft, flexible, thermoplastically formed copolymer</li> </ul>	with	with	200 mm, 250 mm, 280 mm, 320 mm, 360 mm																																																
	6Y92			without	with																																																	
DVS Liner	6Y94		<ul style="list-style-type: none"> <li>DVS Magnet connector distal end</li> <li>Soft, flexible, copolymer material</li> <li>Thinner wall thickness in rear proximal area (3mm) for optimal knee flexion.</li> </ul>	with DVS connector	with	4 cm from distal				30 cm from distal																																												
S	150	260	200	330	Min.	Max.	Min.	Max.																																														
M	180	310	230	410																																																		
MP	200	310	330	500																																																		
L	230	350	360	560																																																		
LP	280	430	400	630																																																		
XL	330	500	430	690																																																		

Winning Combinations

Harmony® P4 Vacuum  
Vacuum with vertical shock and rotation



KISS Lanyard  
Superb suspension and rotation control



Dynamic Vacuum – DVS  
Vacuum made simple

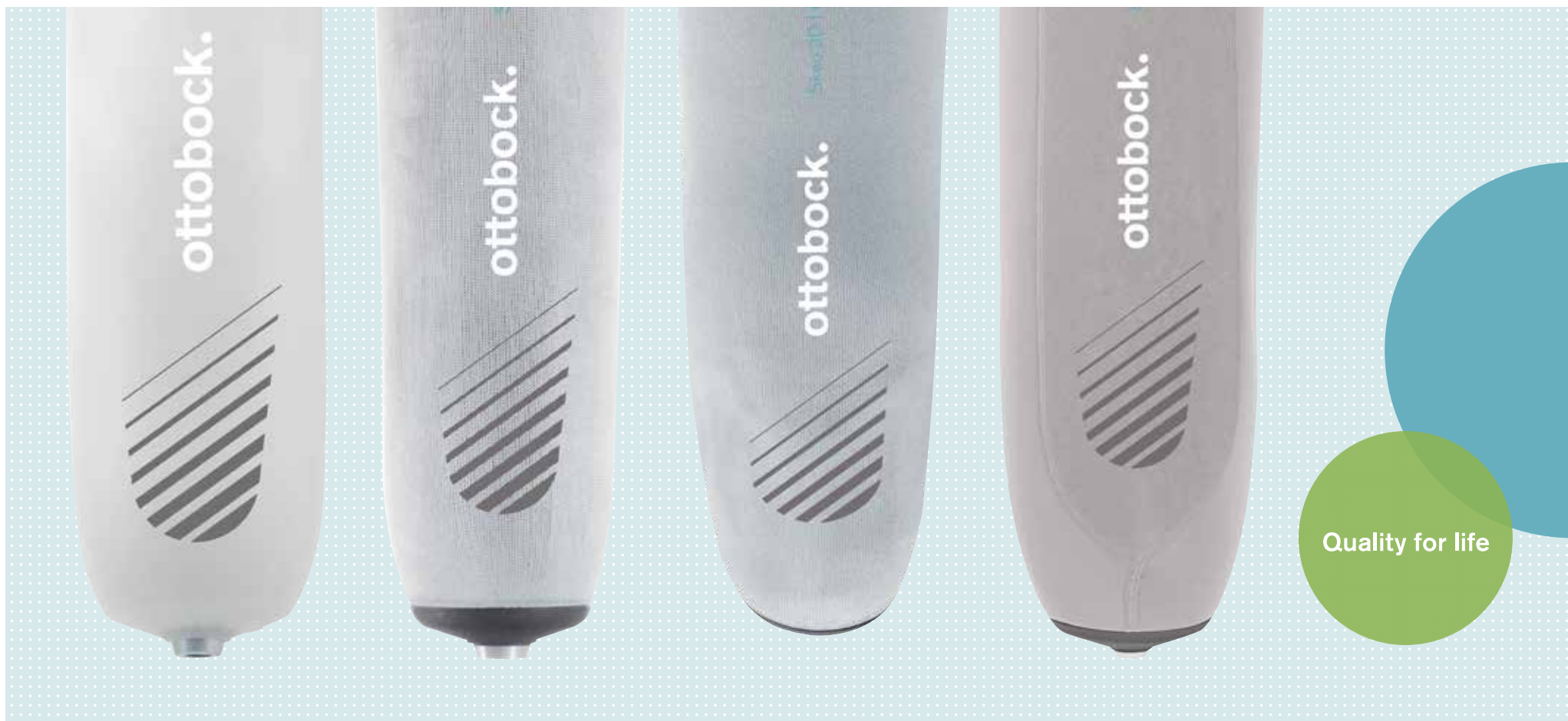


Pin  
Magnetic guidance with flexible pin



# Skeo<sup>®</sup> Liner Family

An entire line of innovative fitting solutions



Quality for life

# Innovative fitting solutions

Skeo silicone liners provide the ideal foundation your patients need to lead more active lives. Choose from several innovative fitting solutions, including:









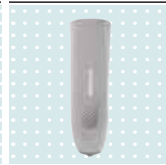
- ▶ **Skeo Pure** a transparent liner that makes it easy to monitor fit and skin condition
- ▶ **Skeo Skinguard®** with antibacterial properties that improve hygiene and promote healthy skin
- ▶ **Skeo 3D** comes closer to the human anatomy for unmatched wearing comfort and fit

Skeo liners are easy to fit and manage, with a unique textured surface and advanced features that create a superior connection with the skin. All are designed to support extended, comfortable wear for your patients throughout varying conditions.



# Skeo Product Line



									
	6Y41 Skeo Pure	6Y42 Skeo	6Y43 Skeo Pure	6Y70 Skeo	6Y75 Skeo Skinguard	6Y77 Skeo 3D	6Y80 Skeo	6Y85 Skeo Skinguard	6Y87 Skeo 3D
<b>Category</b>	firm silicone in combination with soft tissue stability					soft silicone in combination with soft tissue stability			
<b>Amputation Level</b>									
Transtibial	•	•	•	•	•	•			
Transfemoral							•	•	•
<b>Suspension Method</b>									
Locking		•	•	•	•	•	•	•	•
KISS Lanyard							•	•	•
<b>Skeo Characteristics</b>									
Textured inner surface creates a comfortable, smooth connection with the skin	•	•	•	•	•	•	•	•	•
Distal stabilizing matrix eliminates longitudinal stretching and pistoning		•	•	•	•	•			
Full-length stabilizing matrix eliminates longitudinal stretching and pistoning							•	•	•
Proprietary textile cover promotes easier donning and doffing		•		•	•	•	•	•	•
Silky smooth outside coating makes the liner easy to don and doff, easy to clean and quick to dry	•		•						
<b>Product Highlights</b>									
Transparent silicone material for monitoring fit and skin condition	•		•						
Anatomy-specific geometry that comes as close as possible to the residual limb's natural shape						•			•
Antibacterial particles embedded in the liner material controls odor caused by bacteria for improved hygiene control					•			•	

# Skeo

Superior connections start here

Ottobock's tried and tested silicone liners have long impressed users with their combination of comfort and stability.

## Benefits

- Textured inner surface is gentle on the skin when donning and doffing and when bending the knee
- Integrated stabilizing matrix creates a more comfortable distal connection by minimizing pistoning (longitudinal stretching) without restricting radial stretching around the residual limb
- The special textile cover facilitates donning and doffing of the liner



gentle inner surface



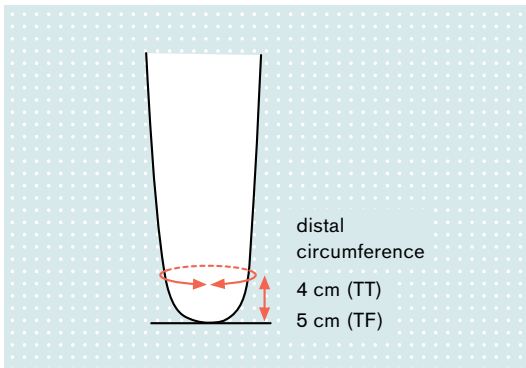
easy handling





## Ordering information for Skeo

Article no.	6Y42	6Y70	6Y80
<b>Amputation Level</b>	transtibial (TT)	transtibial (TT)	transfemoral (TF)
<b>Silicone</b>	firm silicone in combination with soft tissue stability	soft silicone in combination with soft tissue stability	soft silicone in combination with soft tissue stability
<b>Distal attachment</b>	with	with	with
<b>Outside cover</b>	with	with	with
<b>Socket design</b>	specific weight bearing socket	specific weight bearing socket	specific weight bearing socket
<b>Matrix</b>	10 cm length	10 cm length	full-length matrix
<b>Wall thickness</b>			
<b>Sizes</b> (see distal circumference)	180 mm, 200 mm, 210 mm, 220 mm, 235 mm, 250 mm, 265 mm, 280 mm, 300 mm, 320 mm, 340 mm, 360 mm, 380 mm, 400 mm, 420 mm, 450 mm	160 mm, 180 mm, 200 mm, 210 mm, 220 mm, 235 mm, 250 mm, 265 mm, 280 mm, 300 mm, 320 mm, 340 mm, 360 mm, 380 mm, 400 mm	280 mm, 300 mm, 320 mm, 340 mm, 360 mm, 380 mm, 400 mm, 420 mm, 450 mm, 500 mm, 550 mm



**i** Measure the circumference of the residual limb at 4 cm (TT) or 5 cm (TF) from the distal end and choose the liner size, as measured or if between sizes choose the closest size below measurement.

Skeo

Skeo Pure

Skeo Skinguard

Skeo 3D

# Skeo Pure

The difference is clear

The Skeo Pure liner is made of a transparent silicone material. This allows for a visual check of the fit and the skin's appearance, making it an ideal solution for interim fittings.

## Benefits

- Special outside coating makes the liner easy to don and doff, easy to clean and quick to dry
- Textured inner surface is gentle on the skin when donning and doffing and when bending the knee
- Integrated stabilizing matrix (6Y43) creates a more comfortable distal connection by minimizing pistoning (longitudinal stretching) without restricting radial stretching around the residual limb
- The liner dries quickly, making it ideal for use in waterproof prostheses
- Easy to cut or trim for a better fit



gentle inner surface



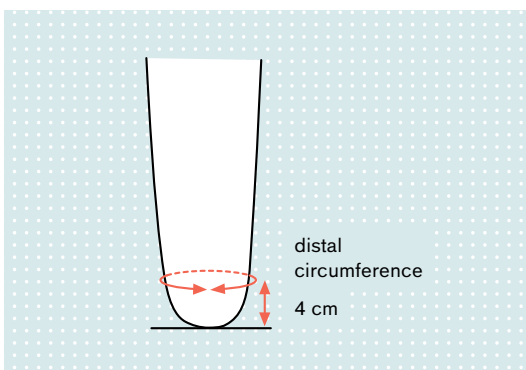
easy handling





## Ordering information for Skeo Pure

Article number	6Y43	6Y41=*	6Y41=*-6
<b>Amputation level</b>	transtibial (TT)		transtibial (TT)
<b>Silicone</b>	More rigid silicone and stabilization of soft tissue		More rigid silicone and stabilization of soft tissue
<b>Distal attachment</b>	With	Without	
<b>Textile cover</b>	Without		Without
<b>Socket design</b>	specific weight-bearing socket	total surface weight-bearing socket	
<b>Matrix</b>	10 cm length	Without	
<b>Wall thickness</b>			
<b>Sizes</b> (see distal circumference)	120 mm, 140 mm, 160 mm, 180 mm, 200 mm, 210 mm, 220 mm, 235 mm, 250 mm, 265 mm, 280 mm, 300 mm, 320 mm, 340 mm, 360 mm, 380 mm, 400 mm, 420 mm, 450 mm	160 mm, 180 mm, 200 mm, 220 mm, 235 mm, 250 mm, 265 mm, 280 mm, 300 mm, 320 mm, 340 mm, 360 mm, 400 mm	
<b>Order example</b>	6Y43=250	6Y41=200-6	



**i** Measure the circumference of the residual limb at 4 cm from the distal end and choose the liner size, as measured or if between sizes choose the closest size below measurement.



# Skeo Skinguard

The only antibacterial silicone liner



Skeo Skinguard liners feature a comfortable, soft silicone material, in addition to an antibacterial additive that users will appreciate.

## Benefits

- The antibacterial particles prevent bacteria from multiplying and protect the silicone material
- Controls odor caused by bacteria for improved hygiene
- In accordance with the specifications of the JIS Z 2801 standard, an independent laboratory proved that the antibacterial additive causes a reduction up to 99.9% in bacteria colonies of Staphylococcus aureus (gram-positive) and Escherichia coli (gram-negative)
- The antibacterial additive does not disrupt the natural skin flora
- Custom liners available to fit limbs outside the common size range
- The special textile cover facilitates donning and doffing of the liner



gentle inner surface



antibacterial effect



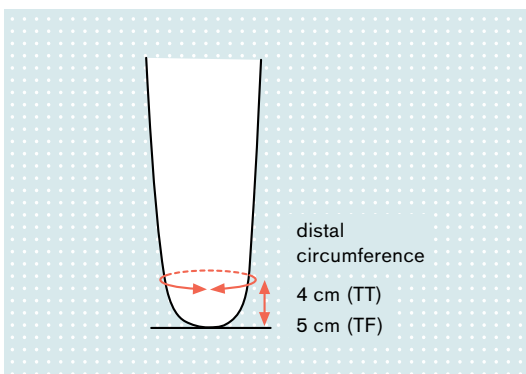
easy handling



# Ordering information for Skeo Skinguard



Article no.	6Y75	6Y85
<b>Amputation Level</b>	transtibial (TT)	transfemoral (TF)
<b>Silicone</b>	soft silicone in combination with soft tissue stability	soft silicone in combination with soft tissue stability
<b>Distal attachment</b>	with	with
<b>Outside cover</b>	with	with
<b>Socket design</b>	specific weight bearing socket	specific weight bearing socket
<b>Matrix</b>	10 cm length	full-length matrix
<b>Wall thickness</b>		
<b>Sizes</b> (see distal circumference)	<b>160 mm, 180 mm, 200 mm, 210 mm, 220 mm, 235 mm, 250 mm, 265 mm, 280 mm, 300 mm, 320 mm, 340 mm, 360 mm, 380 mm, 400 mm</b>	<b>280 mm, 300 mm, 320 mm, 340 mm, 360 mm, 380 mm, 400 mm, 420 mm, 450 mm, 500 mm, 550 mm</b>



**i** **6Y75**  
Measure the circumference of the residual limb at 4 cm from the distal end and choose the liner size, as measured or if between sizes choose the closest size below measurement.

**i** **6Y85**  
Measure the circumference of the residual limb at 5 cm from the distal end and choose the liner size, as measured or if between sizes choose the closest size below measurement.

# Skeo 3D (TT)

A new dimension for fit and comfort



The anatomy of the lower leg served as the starting point for the development of the Skeo 3D liner. The result is a pre-flexed liner with varying wall thicknesses.

Additional material protects sensitive areas of the residual limb against pressure and impacts, while knee flexion is facilitated by a thinner layer of material in the hollow of the knee. This makes the liner comfortable to wear. The Skeo 3D for the lower leg is also made of particularly soft silicone.

## Benefits Skeo 3D transtibial liners

- Material is thicker in sensitive areas to provide protection and thinner in other areas for greater flexibility
- Preflexed (20 degrees) at the knee
- Less material in the hollow of the knee reduces the formation of wrinkles that can cause uncomfortable pressure points
- The special textile cover facilitates donning and doffing of the liner



gentle inner surface



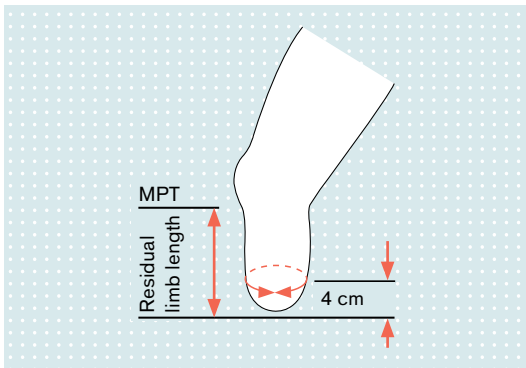
anatomical fit



easy handling



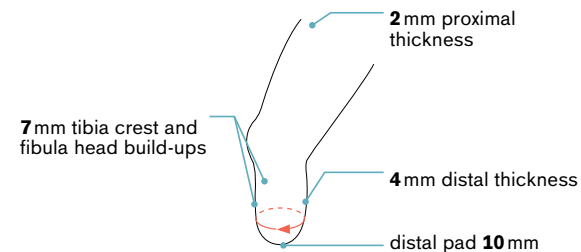
# Ordering information for Skeo 3D (TT)



**i** Two measurements are needed to determine the correct size of the 6Y77 Skeo 3D liner:

- 1 Measure the length from MPT to the end of the residual limb to determine residual limb length.
- 2 Measure the circumference 4 cm (1 ½") above end of the residual limb to determine residual limb circumference.

<b>Article no.</b>	<b>6Y77</b>
<b>Amputation Level</b>	transtibial (TT)
<b>Silicone</b>	soft silicone in combination with soft tissue stability
<b>Distal attachment</b>	with
<b>Outside cover</b>	with
<b>Socket design</b>	specific weight bearing socket
<b>Matrix</b>	depending on the residual limb length
<b>Wall thickness</b>	



Sizes	75 mm	125 mm	175 mm
Limb Circumference 40 mm above distal end	(50 – 100 mm)	(100 – 150 mm)	(150 – 200 mm)
180 mm (185 – 205 mm)		●	
200 mm (205 – 225 mm)		●	
220 mm (225 – 245 mm)		●	●
235 mm (240 – 260 mm)		●	●
250 mm (255 – 275 mm)		●	●
265 mm (270 – 290 mm)	●	●	●
280 mm (285 – 305 mm)		●	●
300 mm (305 – 325 mm)			●
320 mm (325 – 345 mm)			●

# Skeo 3D (TF)

A new dimension for fit and comfort

With its innovative shape, the Skeo 3D for transfemoral amputees gives improved fit for tapered limb shapes.

A transfemoral residual limb typically exhibits an especially large amount of soft tissue. With this in mind, the Skeo 3D is designed to taper at the distal end. The tapered shape softly cushions the tissues, rather than constricting and pushing them upwards. Meanwhile, the upper section of the liner is cylindrical in shape, thereby supporting the residual limb from all sides. A drop-shaped textile inlay on the outside of the liner serves as a visual and tactile positioning aid and can be used to attach the KISS Lanyard.

## Benefits Skeo 3D transfemoral liners

- Conical shape in the distal area encloses and protects sensitive soft tissues
- Cylindrical shape provides a better and tighter connection in the proximal area
- The special textile cover facilitates donning and doffing of the liner
- Special textile area for simple attachment of the KISS Lanyard velcro



gentle inner surface



anatomical fit

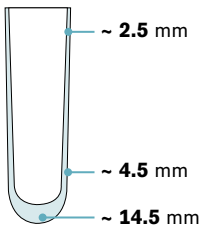


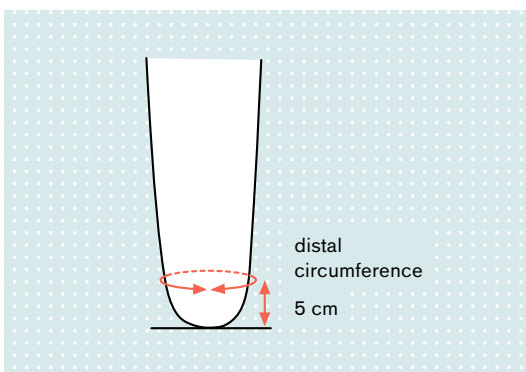
easy handling



## Ordering information for Skeo 3D (TF)



<b>Article no.</b>	<b>6Y87</b>
<b>Amputation Level</b>	transfemoral (TF)
<b>Silicone</b>	soft silicone in combination with soft tissue stability
<b>Distal attachment</b>	with
<b>Outside cover</b>	with
<b>Socket design</b>	specific weight bearing socket
<b>Matrix</b>	full-length
<b>Wall thickness</b>	
<b>Sizes</b>	<p>Limb Circumference 40 mm above distal end</p> <p><b>280 mm, 300 mm, 320 mm, 340 mm, 360 mm, 380 mm, 400 mm, 450 mm</b></p>



**i** Measure the circumference of the residual limb at 5 cm from the distal end and choose the liner size, as measured or if between sizes choose the closest size below measurement.

# MagnoFlex Lock (TT/TF)

## An easy connection

The MagnoFlex Lock features a flexible, magnetic pin, making it easier to guide the liner to the prosthesis for a precise connection.



### Advantages

- The flexible pin and magnet integrated in the lock, allows the user to put on the prosthesis faster and easier than has been possible with traditional pins or shuttle locks.
- Low weight coupled with durability due to the use of a high-performance synthetic material/polyamide
- The fitting can be changed to a valve-vacuum system quickly and easily by means of a valve that was developed for the MagnoFlex Lock
- 1-step fabrication: quick and straightforward integration in the prosthesis
- The MagnoFlex Lock can be used in a trial or final socket

Weight category up to 275 lbs (125 kg)  
Article no. 6A40



# KISS lanyard (TF)

Two is better than one

With a pull-in system, the user pulls the socket onto his/her residual limb manually with the help of a strap. Our KISS Lanyard significantly reduces both rotation and pistoning within the socket – this makes it a fantastic solution for transfemoral prostheses.

## Advantages

- Rotation and piston control due to the **distal and proximal** connection of the prosthesis socket and the liner
- A wide pull-in strap makes the system easier to use in a sitting position
- The proximal strap can be attached to the liner using hook-and-loop, and it can also be removed in this way at any time and without any difficulty (for a simple cleaning and quick donning of the liner)

## Area of application

- 4R160=1: It is used for contracted residual limbs or unusual residual limb positions. A socket adapter will be necessary.
- 4R160=2: It is used for residual limb positions approximately equivalent to the alignment reference line

Weight category up to 330 lbs (150 kg)

Article no. 4R160=2







[www.ottobockus.com](http://www.ottobockus.com)  
[www.ottobock.ca](http://www.ottobock.ca)