

SEATING SYSTEM
SITZSYSTEM
SYSTÈME D'ASSISE
SISTEMA DI SEDUTA
ZITSYSTEEM



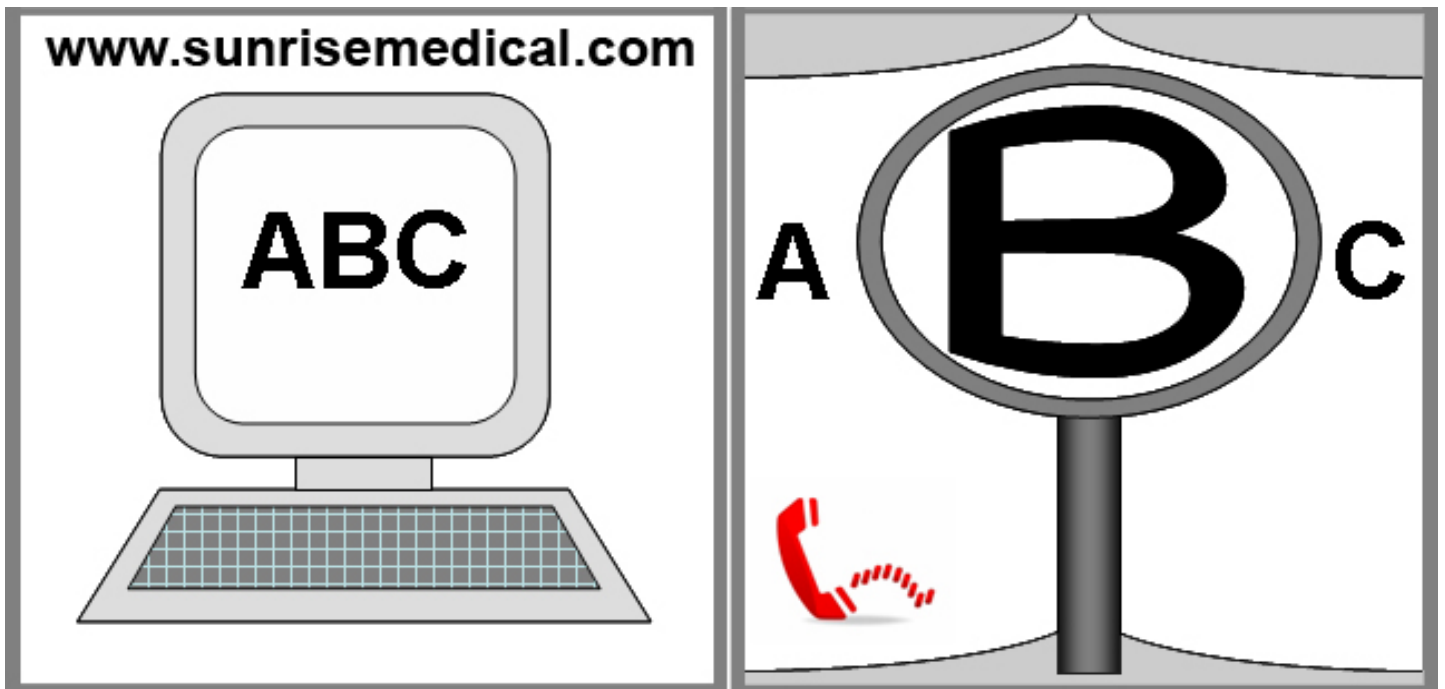
Pluton

DIRECTIONS FOR USE
GEBRAUCHSANWEISUNG
NOTICE D'UTILISATION
MANUALE D'USO
GEBRUIKERSHANDLEIDING




zippie®

294000.22003



If you are visually impaired, this document can be viewed in PDF format at www.SunriseMedical.co.uk

Für sehbehinderte Personen steht dieses Dokument im PDF-Format auf www.SunriseMedical.de zur Verfügung.

Si vous souffrez de déficience visuelle, ce document peut être consulté en format PDF sur www.SunriseMedical.fr

Questo documento è presente in formato pdf per gli ipovedenti sul sito www.SunriseMedical.it.

Als u visueel gehandicapt bent kan dit document ook worden gelezen in PDF-formaat op: www.SunriseMedical.nl



4



- A. Headrest
- B. Shoulder Protraction Pads
- C. Lateral Supports
- D. Hip Pads
- E. Sacral Pad
- F. Armrest
- G. Legrest



36



- A. Kopfstütze
- B. Schulterprotraktions-Polster
- C. Seitliche Pelotten
- D. Hüftpolster
- E. Kreuzbeinpolster
- F. Armlehne
- G. Fußraste



68



- A. Appui-tête
- B. Cales épaules
- C. Cales tronc
- D. Coussins de hanche
- E. Coussinet sacré
- F. Accoudoir
- G. Repose-pieds



100



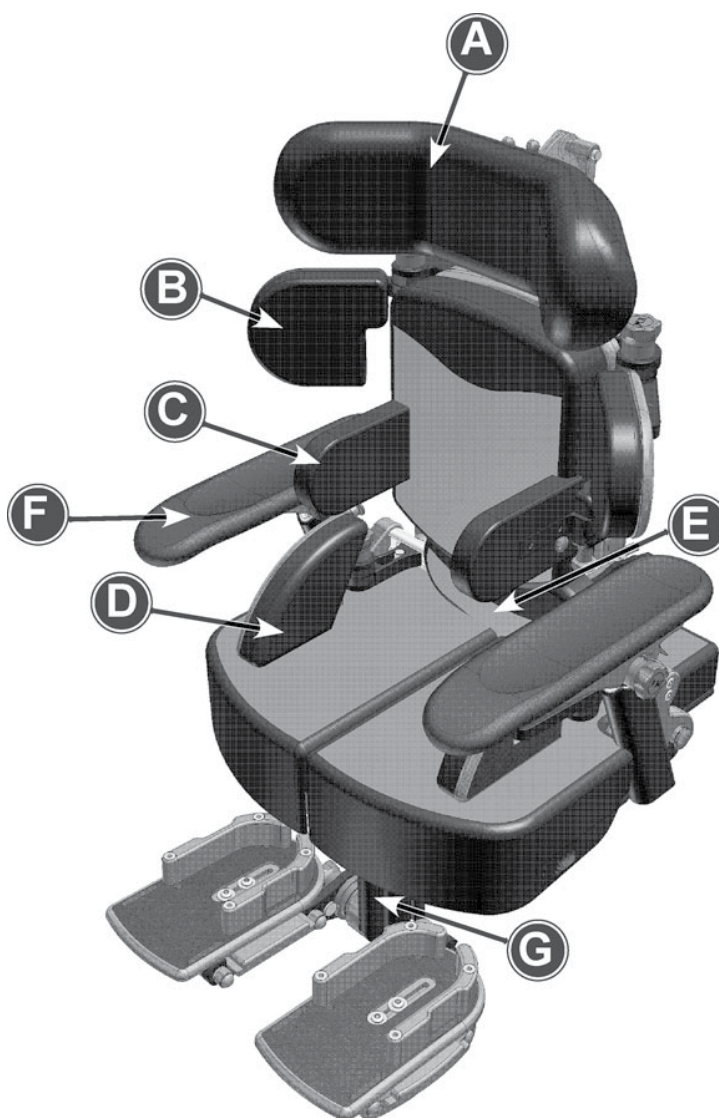
- A. Appoggiatesta
- B. Imbottitura per protrazione delle spalle
- C. Sostegni laterali
- D. Imbottiture del bacino
- E. Supporto sacrale regolabile
- F. Bracciolo
- G. Pedana



132

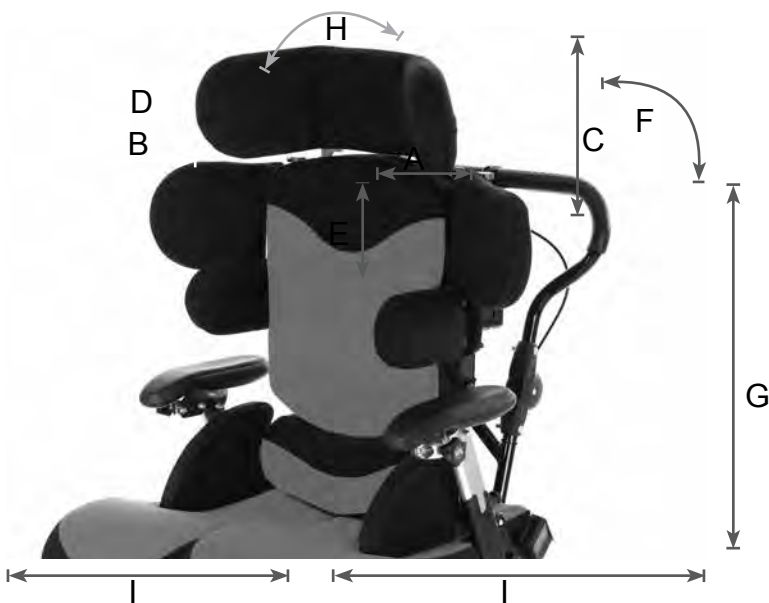


- A. Hoofdsteun
- B. Schouder Pelotten
- C. Laterale ondersteuning
- D. Heupkussens
- E. Bekkensteun
- F. Armsteun
- G. Beensteun



Measurements & Usefull Information

MEASUREMENTS (mm)	Pluton 1		Pluton 2		Pluton 3		Notes
	MIN	MAX	MIN	MAX	MIN	MAX	
A Seat Depth	200	350	300	450	400	550	
B Seat Width (Between Hips)	150	250 (315)	230	330 (395)	310	410 (475)	(mm) - When Hip Pads Removed
C Seat to Top of Shoulder	300	440	390	560	480	680	
D Chest Breadth	150	270	230	350	310	430	
E Seat to Footplate	190	370	260	440	330	510	Leg Length has 2 Settings to Achieve Min/Max
F Seat to Back Angle							
Seat Weight	14.5 kgs		17.0 kgs		19.5 kgs		Guideline (inc Arms, Hips, Lats, Footplates)
Load capacity							Always Refer to Chassis Capacities
Age Guideline	4-9 years		8-12 Years		12-adult		
Measurements when fitted to Multi Height & Tilt Base							
G Seat to Floor			100mm Castor: Min - 355 / Max - 815			100mm is Standard	
H Tilt / Prone Angle							
I Base Footprint							
<p>The Pluton is a modular seating system where at assessment the selection of Seat, Back and Leg Widths & Lengths can be specified. The Seating system will then be built to ensure best fit & maximum growth from the outset. Dimensions provided here provide guidance on the standard sizes available.</p>							



Please note that all measurements given are for indication only. Sunrise Medical can tailor the chair to your precise requirements. Our Product Specialists will assess your child to ensure the chair is fit for purpose both now and for the future.

Introduction

Dear Customer,

We are very happy that you have decided in favour of a high-quality product from SUNRISE MEDICAL.

The Pluton is designed to provide comfort and postural support. The system is available in five sizes to accommodate children from as young as 6 months through to adult.

This instruction manual contains very important information about the Pluton seating system, how to use it safely and obtain the best results from it. Please read all the information contained in this manual before using the chair and retain for future reference. Ensure everyone using the equipment is aware of the contents of this manual and understands how to use the equipment safely.

These instructions provide guidance on the adjustments for professionals, but they also give information on how the equipment should be safely used, maintained, checked, and correctly assembled by anyone who uses the seating system.

In every case the equipment should be supplied via qualified professionals who will have adjusted the equipment, checked its compliance and tested it appropriately.

The seating system should only ever be adjusted by qualified professionals and persons that are suitably trained. For further information please do not hesitate to contact us - contact details are below.

Thank you for purchasing our product, we hope you enjoy your new seating system.

Use

Attendant configurations, are exclusively for a user who is unable to walk or has limited mobility, for their own personal use indoors or outdoors.

The maximum weight limit (includes both the user and any weight of accessories fitted to the wheelchair) is marked on the serial number label, which is affixed to the crossbar or stabiliser bar below the seating system.

Warranty can only be taken on if the product is used under the specified conditions and for the intended purposes.

The intended lifetime of the product is 5 years.

Please **DO NOT** use or fit any 3rd party components to the seating system unless they are officially approved by Sunrise Medical.

DANGER!

- Do not fit any unauthorized electronic equipment.
- Do not fit powered or mechanically operated mobility devices, or any other device that changes the intended use or the structure of the seating system.
- Any combination with other medical devices requires approval directly from Sunrise Medical.

Area of application

The variety of fitting variants as well as the modular design mean that it can be used by those who cannot walk or have limited mobility e.g. because of:

- Paralysis
- Loss of extremity (leg amputation)
- Extremity defect deformity
- Joint contractures/joint injuries
- Illnesses such as heart and circulation deficiencies, disturbance of equilibrium or cachexia.
- When considering provision, please also note the body size, weight, physical and psychological constitution, the age of the child, living conditions and environment.

Operating Conditions





The seating system can be used indoors as well as outdoors in attendant configurations, on dry, firm, relatively smooth surfaces. It is not recommended for use in a storm, torrential rain, snow and ice or other extreme weather conditions.

Contents

Measurements & Usefull Information	4	18.0 Lateral Support Adjustment	23
Introduction	5	Height & Width of Supports	23
Use	5	Flip Away Action (Where Fitted)	23
Area of application	5	19.0 Arm Rest Adjustment	24
Contents	6	Adjusting Arm Height	24
Definitions	7	Adjusting Arm Angle	24
Definitions of words used in this manual	7	Removing The Armrest	24
1.0 Important Safety Advice	8	20.0 Legrest Adjustment/Removal	25
2.0 Warranty	9	Split Option:	25
3.0 Brakes	10	Angle Adjustment	25
Operating Brakes, (Indoor Base Frames)	10	Removing the Leg Stem	25
Applying Brakes	10	21.0 Foot Position Adjustment	26
Releasing Brakes	10	Footplate Angle Adjustment	26
4.0 Chest Harness-Adjustments	10	Flipping Up the Footplate	26
Chest Harness	10	Footplate Height	26
Fixing Onto Chair	11	Foot Holder Positioning	26
Fastening of Belts	11	Foot Size	26
5.0 Lap Strap Safety	11	Fore and Aft, Rotation	27
Lap Strap Fitting	11	Side to Side/Width Adjustment	27
Harness and Lap Strap Positioning	12	Foot Straps	27
6.0 Adjustment Points and Lever Use	13	22.0 Dynamic Back Set Up	28
Adjustment Points Underneath Seat, (Fig.6.1)	13	Setting the Strength of Resistance & Power of Return	28
Effective Operation of Lock Levers (Where Fitted)	13	Increasing the Air Pressure	28
7.0 Lever Use-Using Index Plungers	14	Decreasing the Air Pressure	28
Using The Index Plungers (locking Variety Only)	14	Setting The Power of Return	29
8.0 Adjusting Shoulder Protector Pads	14	Disengaging the Mechanism	29
Pad/ Shoulder Width	14	Maintenance Schedule	29
Pad/Protraction Angle	14	23.0 Cleaning and Care	30
9.0 Seat Unit	15	Fabric Upholstery Care	30
Mounting	15	Metal Framework	30
Removal	16	24.0 General Maintenance	30
Manual Seat Height Adjustment	16	25.0 Servicing by Approved Dealer	32
Powered Base Height Adjustment	16	What should be completed during a service?	32
10.0 Tilt In Space	17	What happens if a fault is found?	32
Multi Height & Tilt Base (Fig.10.1-10.3)	17	Who should carry out the service?	32
11.0 Folding Push Handle	17	Frequency of Service	32
Multi Height and Tilt Base (Fig.11.1-11.2)	17	How To Book A Service	32
12.0 5-Star Base Adjustment	18	26.0 Service Record Log	33
To Raise The Chair	18	28.0 Inspecting and Reissuing of Equipment	34
To Lower The Chair	18	Cleaning	34
To Perform the Tilt in Space on the 5 Star Base	18	Assessment of Fabrics / Foams	34
13.0 Back Rest Adjustment	19	Electrical and Electronic Equipment Decomissioning	34
Back Angle Adjustment	19	Appropriateness of Equipment	34
Back Height Adjustment	19	Manuals and Records	34
14.0 Seat Depth Adjustment	20	Inspection	34
Adjusting The Seat depth (Fig14.1)	20	Condition	34
15.0 Fitting A Tray	20	Accessories	35
Tray Fitting Instructions (Fig 15.1-15.2)	20	Function	35
16.0 Pad Adjustment	21	Fixings	35
Sacral Pad Adjustment (Fig.16.1)	21	Modifications	35
Hip Pad Adjustment (Fig.16.2)	21	Labelling	35
Thigh Pad Adjustment (Fig.16.3-16.5)	22	Adjustment	35
17.0 Headrest Adjustment	23	Hand Over	35
Adjusting The Wing Angle	23	Packaging	35
Adjusting the Headrest Angle	23	Handle Fitting	35
Adjusting the Headrest Height	23		

Definitions

Definitions of words used in this manual

Word	Definition
 DANGER!	Advice to the user of potential risk of serious injury or death if the advice is not followed
 WARNING!	Advice to the user of a risk of injury if the advice is not followed
 CAUTION!	Advice to user that potential damage to equipment may occur if the advice is not followed
NOTE:	General advice or best practice
	Reference To Additional Documentation

NOTE:

The seating system shown and described in this user guide may not correspond in every detail exactly to your own model. However, all instructions are still entirely relevant, irrespective of detail differences.

The manufacturer reserves the right to alter without notice any weights, measurements or other technical data shown in this manual. All figures, measurements and capacities shown in this manual are approximate and do not constitute specifications.

NOTE:

Please keep a note of your local service agent's address and telephone number in the space provided.

In the event of a breakdown, contact them and try to give all relevant details so they can help you quickly.

Dealer signature and stamp.



1.0 Important Safety Advice

WARNING!

We at Sunrise Medical are committed to producing products of the highest standard. All of our products fulfil the essential safety and environmental requirements as defined in the European Directives. However, improper use of the products will potentially put the users at risk and therefore Sunrise Medical strongly suggest that the following information is strictly adhered to at all times.

WARNINGS!

- Ensure all adjustment mechanisms are secure and in place before operation. If it is likely that the hand-wheels will be repeatedly loosened, Sunrise Medical can supply allen key bolts as an alternative. We strongly recommend this if there is a danger from those in the vicinity of the user.
- After completing any alterations ENSURE all nuts, bolts, knobs, hand wheels and other fixings are securely tightened and in position, and that they are regularly checked as part of the maintenance of the chair. Never over adjust or over tighten moving parts.
- All postural support straps and harnesses should be in place and properly adjusted to the user, prior to usage of any kind (see pages 9, 10 and 11).
- When fitted to an indoor base frame the Pluton should always be positioned on a level, flat floor. The Pluton chair can be moved between one working area and another. For safety ALWAYS return the product to a neutral position and lower before moving (lower in height, level the seat, ensure the back is upright etc). After the chair has been moved and during use the chair should be placed in a static position with the brakes applied. Indoor base frames such as the multi height and tilt base are designed to be used inside, however it is acceptable to take these bases externally for a brief period if transferring the chair from one indoor area to another.
- Heavy items on the tray will affect stability. The fitting of anything other than the standard Sunrise Medical tray may substantially affect the stability of the seating system and should therefore be checked before issue.
- If at any time it is noted that areas of the users skin remain reddened after being out of the seating system for around 10 minutes, urgently contact the qualified professional who performed the hand over of the equipment. This may be a sign of excessive pressure being exerted by the seating. This might occur in the initial use of a new seat where further adjustment may be required, where the user has been badly placed, grown or where an underlying medical problem exists. Review may be necessary in such cases
- Keep all products away from excessive sources of heat, cigarettes and naked flames.
- If you suspect that the system may be faulty, cease use of the equipment straight away and immediately contact the organization who supplied the system. (contact information can be found on page 5).

- The equipment will be labelled with important information. NEVER REMOVE these information labels or allow them to be defaced, overlaid or altered.
- All modifications, adjustments, reconditioning, repairs, disposal, and servicing of the seating unit must ONLY be carried out by the agencies who supplied the equipment (see pages 30-31).

DANGER!

Multi Adjustable Head support

Wings on the head support are ideally set at 45 degrees. Do NOT bring the wings in tight to the head. Ensure that the head support is set in such a way that the child cannot loop their head around the wings and get stuck.

Flexi-Supports and Lateral Supports

Ensure the straps do not infringe on any feeding tubes the child may have.

WARNING!

Abductors

These parts are designed to abduct the users knees to help keep the hips in a good position. Do NOT use the abductors as a way of holding the user in the seat. Flip down the abductor when transferring the user in and out of the seat.

Foot Sandals and Straps

Should only be fixed when the user is wearing shoes or boots.

Tray

Do NOT use the tray as a way of securing children in a chair. Always ensure that the lap strap and any other straps supplied are used. Ensure that the tray clips are secure on both sides of the tray. If the tray is damaged, ensure that this will not be a hazard to the user. Never leave hot items on the tray while children are unattended.

DANGER!

CHOKING HAZARD – This mobility aid uses small parts which under certain circumstances may present a choking hazard to young children.

2.0 Warranty

GUARANTEE

THIS GUARANTEE DOES NOT AFFECT YOUR LEGAL RIGHTS IN ANY WAY.

Sunrise Medical* provides a guarantee, as set out in the warranty conditions, for wheelchairs to its customers covering the following

Warranty conditions

Should a part or parts of the wheelchair require repair or replacement as a result of a manufacturing and/or material fault within 24 months or for frame and cross-braces within 5 years after delivery to the customer, then the affected part or parts will be repaired or replaced free of charge. (Batteries are guaranteed for a period of 12 months subject to the correct battery care plan being followed)

To enforce the warranty, please contact Sunrise Medical Customer Service with the exact details of the nature of the difficulty. Should you be using the wheelchair outside the area covered by the Sunrise Medical customer service agent, repairs or replacement will be carried out by another agency as designated by the manufacturer. The wheelchair must be repaired by a Sunrise Medical designated Customer Service agent, (dealer).

For parts, which have been repaired or exchanged within the scope of this warranty, we provide a warranty in accordance with these warranty conditions for the remaining warranty period for the wheelchair in accordance with point 1).

For original spare parts which have been fitted at the customer's expense, these will have a 12 months guarantee, (following the fitting), in accordance with these warranty conditions.

Consumable parts such as pads, tyres, inner tubes and similar parts are excluded from the warranty, except in the case that premature wear of the part is the direct result of a manufacturing fault.

Claims from this warranty shall not arise, if a repair or replacement of a wheelchair or a part is required for the following reasons:

The product or part has not been maintained or serviced in accordance with the manufacturer's recommendations as shown in the User Instructions and/or the Service Instructions.

Accessories have been used which are not specified as original accessories.

The wheelchair or part having been damaged by neglect, accident or improper use.

Changes/modifications have been made to the wheelchair or parts, which deviate from the manufacturer's specifications.

Repairs have been carried out, before our Customer Service has been informed of the circumstances.

This guarantee is subject to the law of the country in which the product was purchased from Sunrise Medical"

* Means the Sunrise Medical facility from which the product was purchased.

3.0 Brakes

Operating Brakes, (Indoor Base Frames)

WARNING!

Always apply the brakes when the chair is stationary.

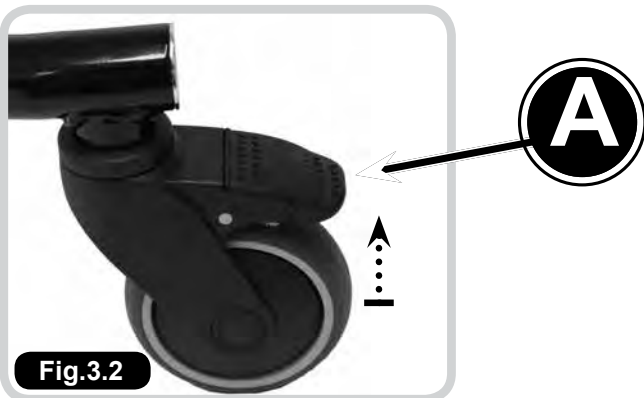
Applying Brakes

Depress lever (A) with your foot. To secure the chair in place you should suppress all the brakes fitted to the wheels on the base. (Fig.3.1).



Releasing Brakes

To release the brakes you should flick the levers up using the top of your foot. When all brakes are released the chair will be free to travel in any direction. (Fig.3.2).

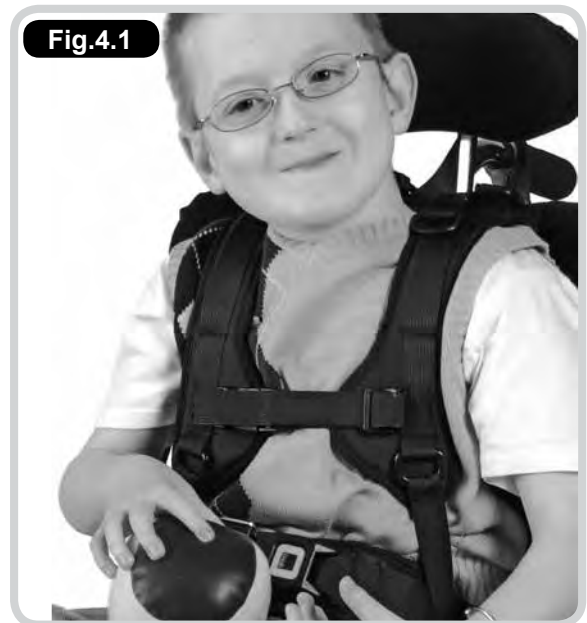


4.0 Chest Harness-Adjustments

Chest Harness

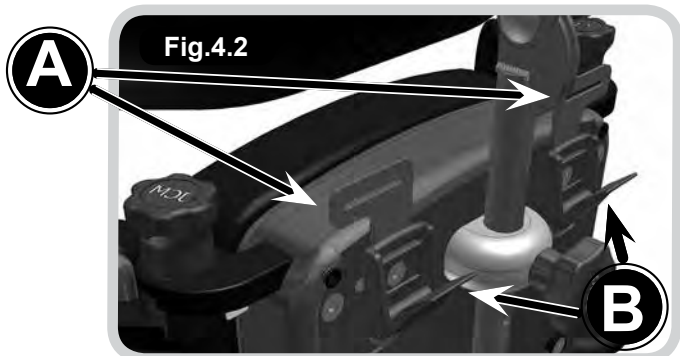
DANGER!

- GREAT CARE should be taken when fitting a chest harness and the following points should always be followed:
- The straps on the harness should never be allowed to move close to or in any way cause an obstruction to the child's neck.
- The straps should never be fitted too tightly and should be clear from any obstruction.
- The sternum strap on the chest harness should always be adjusted prior to use to ensure that it is no higher than the middle of the user's chest.
- A lap strap should always be fitted if a harness is being used to ensure the child cannot slide down onto the sternum strap.
- Always ensure that the belts offer your child both comfort and support. If the child's clothing has been adjusted (i.e. a jumper removed) the straps should be re-adjusted accordingly. (Fig.4.1).

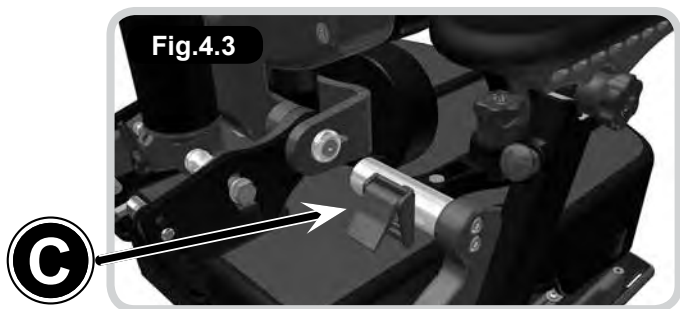


Fixing Onto Chair

- The Pluton comes with guide plates for the top straps which are located either side of the upper back (A). The webbing strap should be fed through these guides and then adjusted and secured in place using the cam buckle clasps (B) directly beneath the guide plates. (Fig.4.2).



- The straps at the bottom of the harness should be fed through, adjusted for fit and then locked using the Cam Buckle Clasp (C) located on the hip pad rail. (Fig.4.3).



Fastening of Belts

- Feed the fabric belt through the buckle on the strap.
- The belts should be pulled through enough to suitably support your child whilst still being comfortable.
- When this has been achieved the buckle should be snapped closed to secure the strap in place. (Fig.4.4).



⚠ WARNING!

The same precautions highlighted here should be adhered to when using any form of trunk supports or flexi supports with straps.

⚠ DANGER!

If there is any possible chance of the child getting the straps caught around their neck, REMOVE THE HARNESS IMMEDIATELY.

5.0 Lap Strap Safety

⚠ DANGER!

INCORRECT FITTING OF LAP STRAPS CAN PUT THE USER AT SERIOUS RISK.

Lap Strap Fitting

When using lap straps we recommend the following points should always be adhered to:

The angle that the hip belt is attached to the seating system has a direct effect on the angle of pull on the pelvis.

Considerations:

- A 60° angle of attachment to the seat rail positions the hip belt anterior and inferior to the ASIS, which reduces the tendency of the client with a posterior pelvic tilt to slip underneath the belt.
- A higher angle of attachment of the primary straps encourages a posterior pelvic tilt, which assists in positioning clients with an anterior pelvic tilt.
- The secondary straps of a 4-point hip belt are attached to the seat post between 45° and 90° to hold the primary padded strap in place and to prevent the belt from riding into the abdomen or twisting.
- The angle of attachment may have to be compromised in order to accommodate such situations as wounds in the pelvic area, unstable hip joints or gastric tubes.

Tightening the belt:

Keep belt tightened at adjustment straps during fitting and daily use to ensure correct pad placement. For padded hip belts the pads are to be touching when correctly tightened. For non-padded hip belts the adjustment strap at the buckle should be approximately 3" (76mm) long. Education of the care giver is essential for correct hip belt positioning.

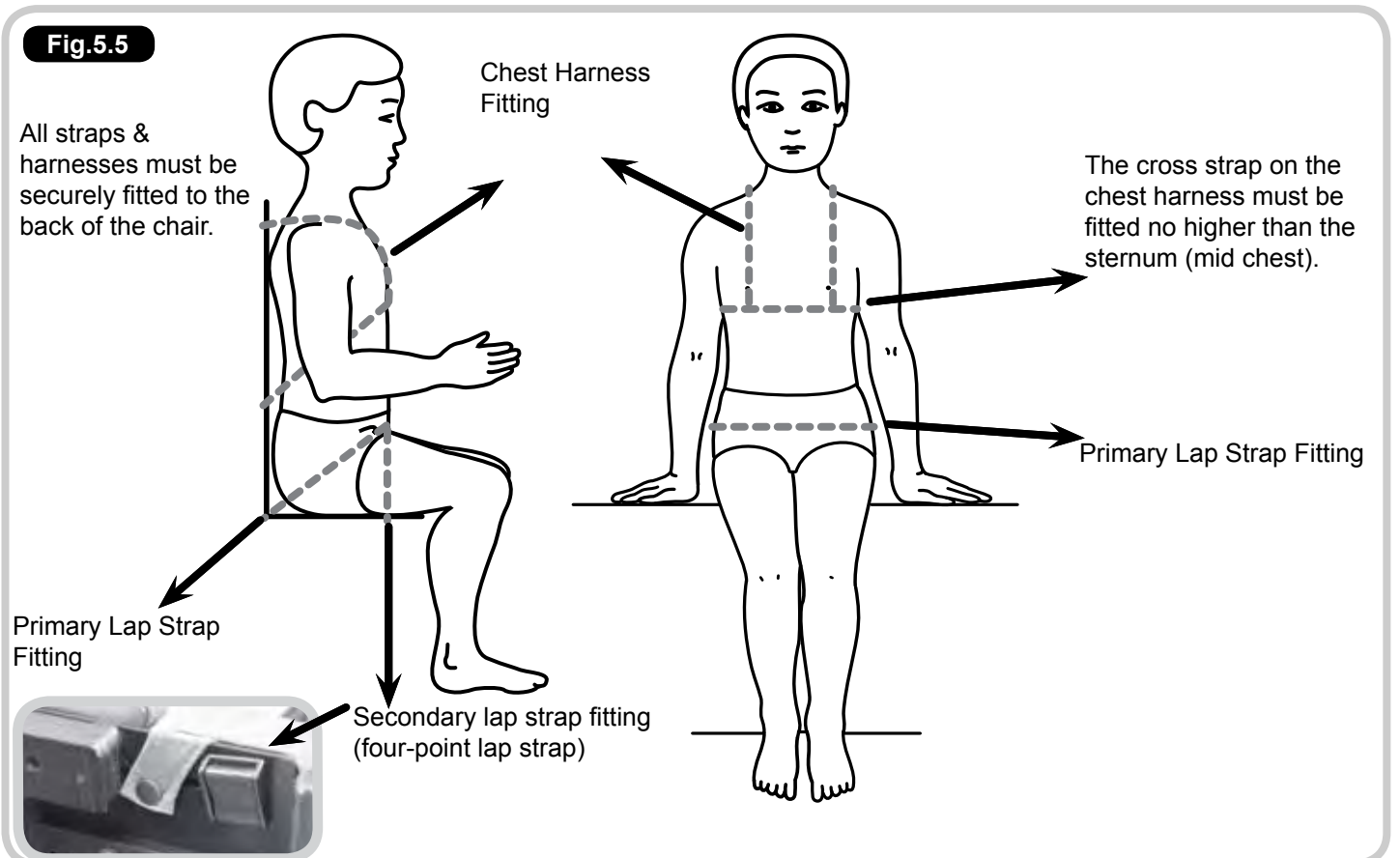
Sizing:

Measure hip width to determine the belt size required. The suggested method for measuring hip width is from trochanter to trochanter. If this is not possible, measure from ASIS to ASIS and add a couple of inches. The correct belt size for the individual has padding that covers all of the bony prominences.

- Always check that the child's pelvis is symmetrical and positioned securely at the back of the seat.
- Always ensure that the lap straps and chest harness hold the child securely and are comfortable. Ensure they provide a snug fit, a simple rule of thumb is to allow two fingers to be inserted between the belt and the child's body.
- Never leave a child in a chair unattended without the lap strap being fastened.
- A lap strap should always be fitted if a harness is being used.
- When altering the angle between the seat and the back of the chair always re-adjust the chest harness and lap strap accordingly to ensure all safety recommendations are followed.

Harness and Lap Strap Positioning

This diagram below shows the recommended positioning of the chest harness and lap straps, (Fig.5.1):



6.0 Adjustment Points and Lever Use

Adjustment Points Underneath Seat, (Fig.6.1)

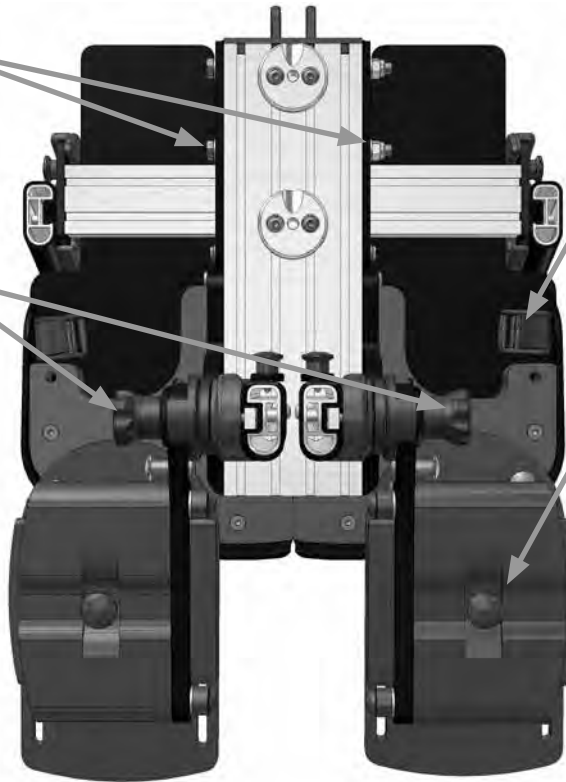
Fig.6.1

Seat depth adjustment bolts

Lap belt front fixing buckle

Footplate Angle Adjustment

Footplate width adjustment



Effective Operation of Lock Levers (Where Fitted)

Never remove these levers entirely as this will prevent you from being able to perform adjustments in the future.

- To use: Turn the lever handle clockwise to tighten or anti clockwise to loosen.
- To use the lever when an obstruction is met: Pull the handle of the lever outwards, towards you (A). This disables the function of the lever.
- Continue to hold the lever out and reposition the lever handle in a suitable position past the obstruction.
- Release the handle to re-engage the lever function (B) and continue to tighten or loosen in the normal way.
- Repeat this procedure in areas where adjustment is restricted due to an obstruction.

Fig.6.2



Fig.6.3



7.0 Lever Use-Using Index Plungers

Using The Index Plungers (locking Variety Only)

To place the plungers in an open position:

- Pull out the plungers to maximum tension (B).
- Turn the plungers a half turn anti-clockwise (C) This places them in an open position.
- To close - Turn the plungers a half turn clockwise and they should snap back into a locked position (A).

8.0 Adjusting Shoulder Protector Pads

Pad/ Shoulder Width

Turn locking screw (A) half a turn using the 4mm Allen Key provided, manually position the pad to fit the user by sliding the pad in or out.

Lock the pad in place by re-securing locking screw A.

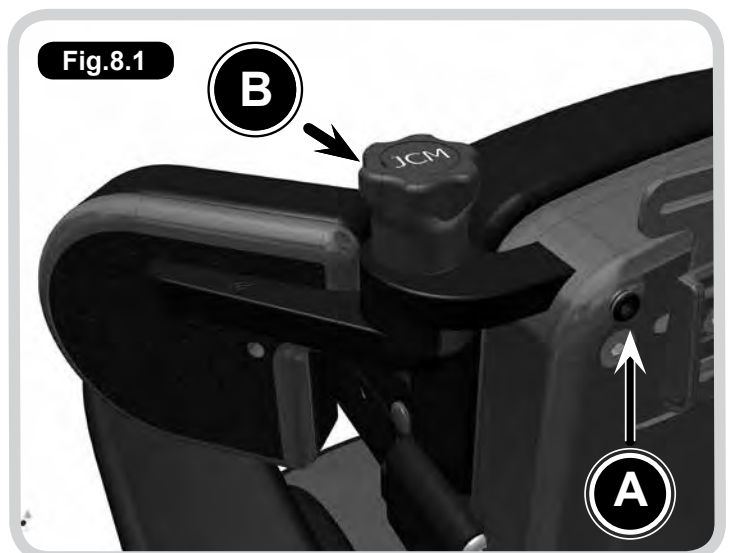
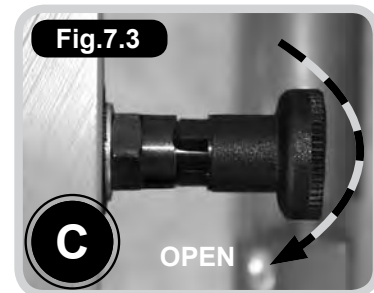
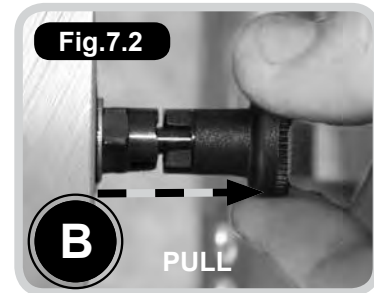
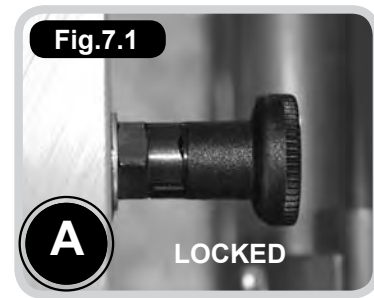
Pad/Protraction Angle

To set the angle of the pad you should loosen the securing handwheel (B) by rotating a couple of turns in an anti-clockwise motion. Once released the pads can be positioned by pressing down on the handwheel whilst simultaneously altering the angle of the pad using your other hand.

Once the desired position has been achieved you should release the handwheel and resecure it by turning in a clockwise direction until hand tight.

CAUTION!

Pad Angle – As an Alternative you can position the pad without pressing down the handwheel, though this has potential to shorten the life of the locking mechanism and is therefore not recommended.



9.0 Seat Unit

Mounting

WARNING!

Always ensure the base is stable and that the brakes are applied before mounting the seating unit.

CAUTION!

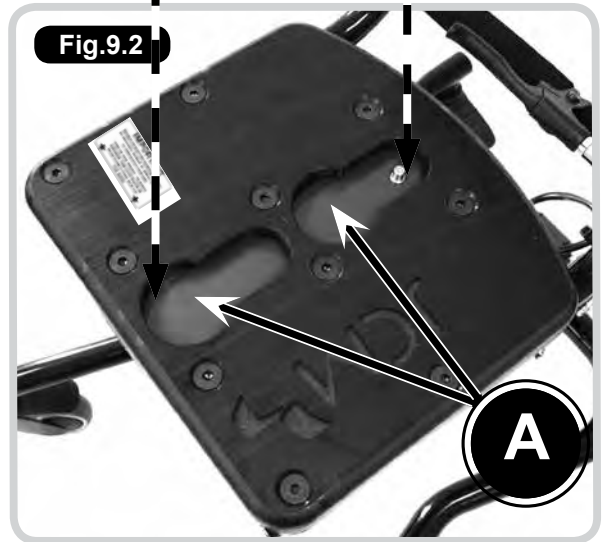
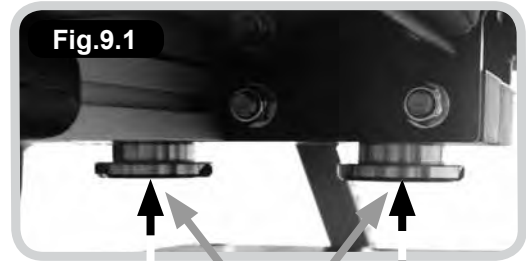
Please note that the handle fitted is dependent on the size of the chair. You therefore need to ensure the size label on the handle matches the size of the chair being used.

See, (Fig.9.1-Fig.9.2).

- There are 2 cut outs on the top of the interface plate (A) which are for locating lugs (B) on the seating unit to fit into.
- Position the seating unit above the interface plate, lining up the locating lugs (B) with the cut outs (A) on the interface plate.
- Carefully lower the seat onto the interface plate ensuring the locating lugs (B) slide into the cut outs on the interface plate (A).
- Push the seating unit inwards towards the back of the chair until the locating lugs 'click' into place.
- Ensure the seat is securely located on the base before using.

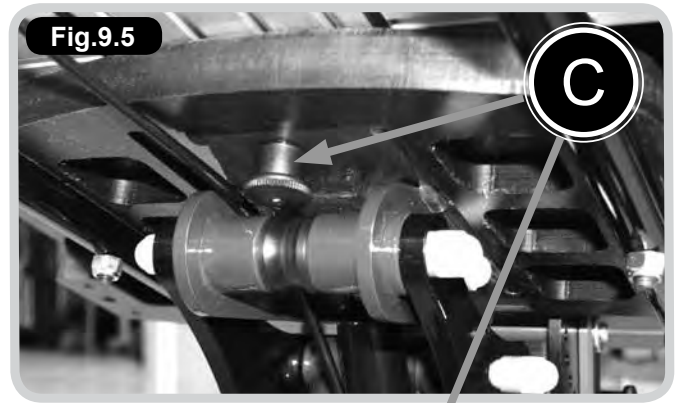
View from the side showing the seating unit lugs lowering into the interface plate cut outs, (Fig.9.3).

View of seat engaged with the base (Fig.9.4).



Removal

Release index plunger (C) which is underneath the interface plate and slide seat forward to remove it from the base, (Fig.9.5-9.6).



Manual Seat Height Adjustment

Multi height & tilt base

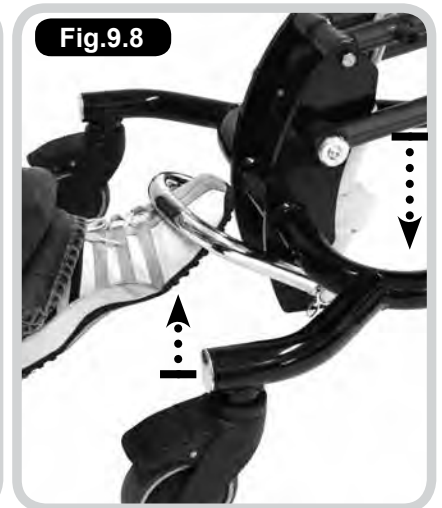
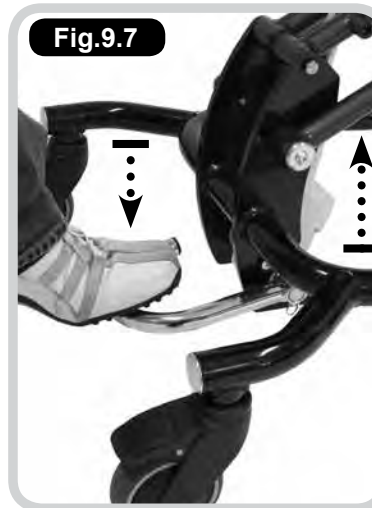
The multi height and tilt base caters for all sizes of Pluton. It is controlled by a hydraulic pump mechanism.

To Raise The Chair, (Fig.9.7).

Pump the foot pedal several times until the desired height is reached. (The chair will raise with each pump.)

To Lower The Chair, (Fig.9.8).

Place your foot under the pedal and gently lift the pedal up. (The chair will automatically lower).



Powered Base Height Adjustment

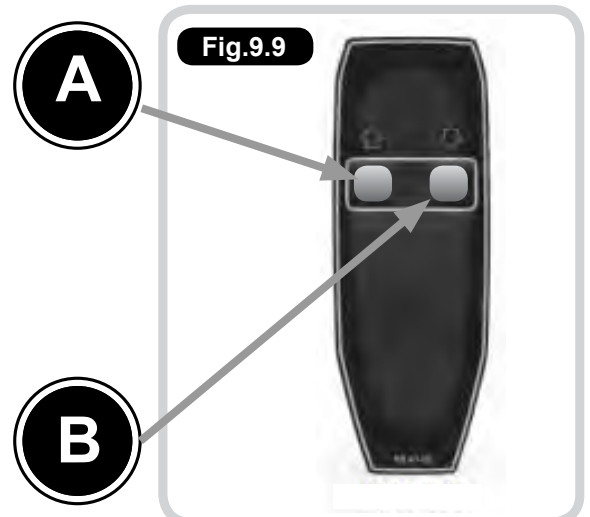
Upgrade option, (Fig.9.9).

CAUTION!

Always ensure that adjustment mechanism is free from obstruction before operating this chair.

Button A = UP

Button B = DOWN



10.0 Tilt In Space

Multi Height & Tilt Base (Fig.10.1-10.3)

WARNING!

Always ensure the base is stable and that the brakes are applied before performing the following adjustments.

- Release the locking mechanism on the handle by squeezing the small latch (A) up on the handle.
- To Recline:
Use one hand to squeeze handle (B) and push down the chair handle, at the same time use the other hand positioned on the chair arm or side to help guide the chair into the recline position.
- To put into Prone:
Squeeze handle (B) and pull the chair handle upwards and forwards. At the same time use the other hand positioned on the chair arm or side to help guide the chair into the prone position.
- Once in position release handle (B) to lock the tilt mechanism.
- Ensure that the latch (A) on the handle moves back into a closed position, this ensures the tilt position is locked in place.

WARNING!

The operator should control the motion of the chair while the squeeze handle is engaged. The amount of support required will vary with the size and weight of the user. We recommend practicing this operation on first use before placing the client in the chair.

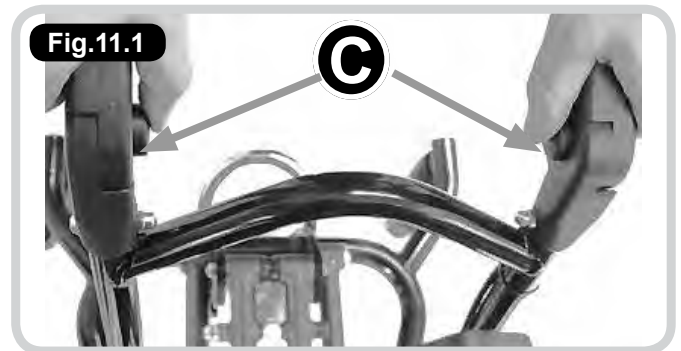
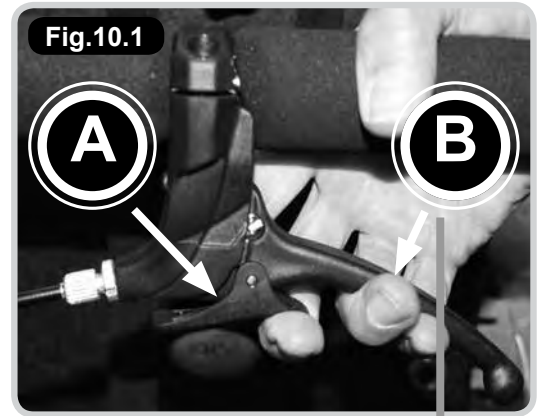
11.0 Folding Push Handle

Multi Height and Tilt Base (Fig.11.1-11.2)

Only use the push handle to move the chair. The push handle should be folded down when not in use.

Depress both buttons (C) on the inside of the handle. Manually alter the position of the handle by pushing the top section down.

To unfold pull the handle up until you hear a click ensuring it is in place.



12.0 5-Star Base Adjustment

WARNING!

Always ensure the base is stable and that the brakes are applied before performing the following adjustments.

Refer to Fig.12.1.

To Raise The Chair

Located at the back of the chair beneath the base locate the handle (A) and continuously push down to raise the height.

The seat height will raise with additional assistance required, dependent upon the weight of the user. Release the handle when the desired height is achieved.

To Lower The Chair

Use the handle (A) again but this time apply pressure to the top of the seat with one hand whilst pushing down handle (A).

CAUTION!

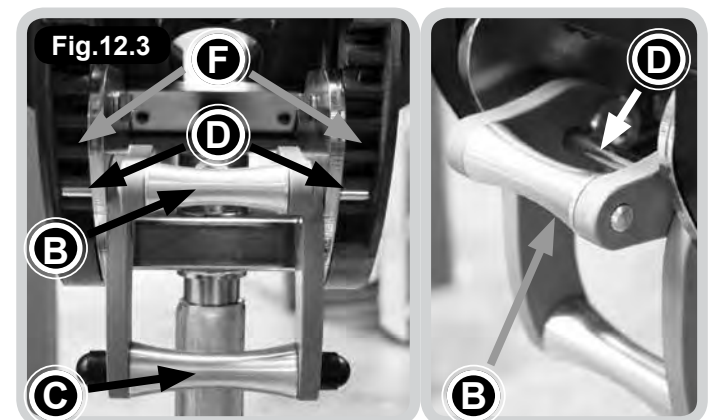
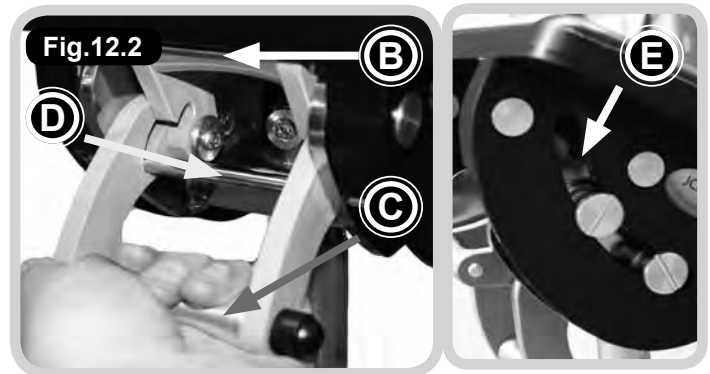
If you find performing these actions difficult to do simultaneously on your own please get another person to help you.



To Perform the Tilt in Space on the 5 Star Base

Refer to Fig.12.2-12.3

- Lift safety latch (B) up to prepare the base for the tilt adjustment.
- Lift operation latch (C) up until it stops, disengaging bar (D).
- Tilt the base interface to the desired angle. The adjustment range can be seen via the groove at the side of the seat base. When the desired angle has been achieved. Close operation latch (C) by pushing down until it bar (D) locates securely into a set position groove (F).
- Push down safety latch (B) to prevent accidental operation of the tilt in space.
- Always ensure that the groove on the safety latch (B) is securely located onto the bar (D) to secure the seat into place.



13.0 Back Rest Adjustment

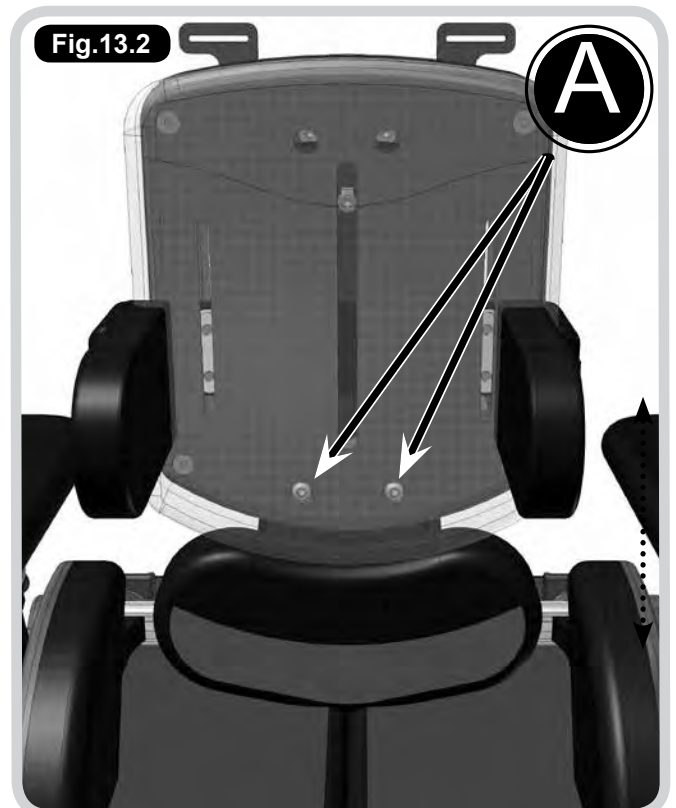
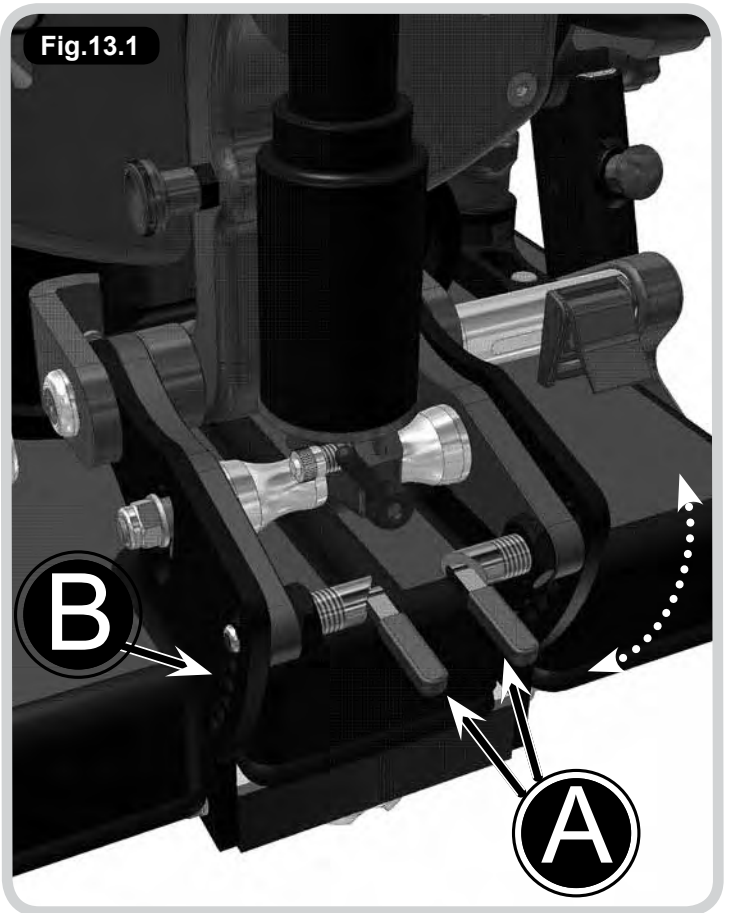
Refer to Fig.13.1-13.2

Back Angle Adjustment

- At the lower back of the chair squeeze together levers (A), this releases them from their holding position in holes (B).
- Whilst holding the levers together, hold the chair by the top of the back and guide the angle of the back into the required position.
- Relocate the levers into the relevant positioning holes (B) to secure the back in place.
- Always ensure that the back is secure and that the levers are located fully in a hole before using the chair.

Back Height Adjustment

- Remove the back pad cushion which is held in place by press studs.
- Loosen the two allen key bolts (A) on the plastic back panel.
- Slide the plastic panel up or down to the desired height.
- Tighten the two allen key bolts securely.
- Replace the back cushion pad.



14.0 Seat Depth Adjustment

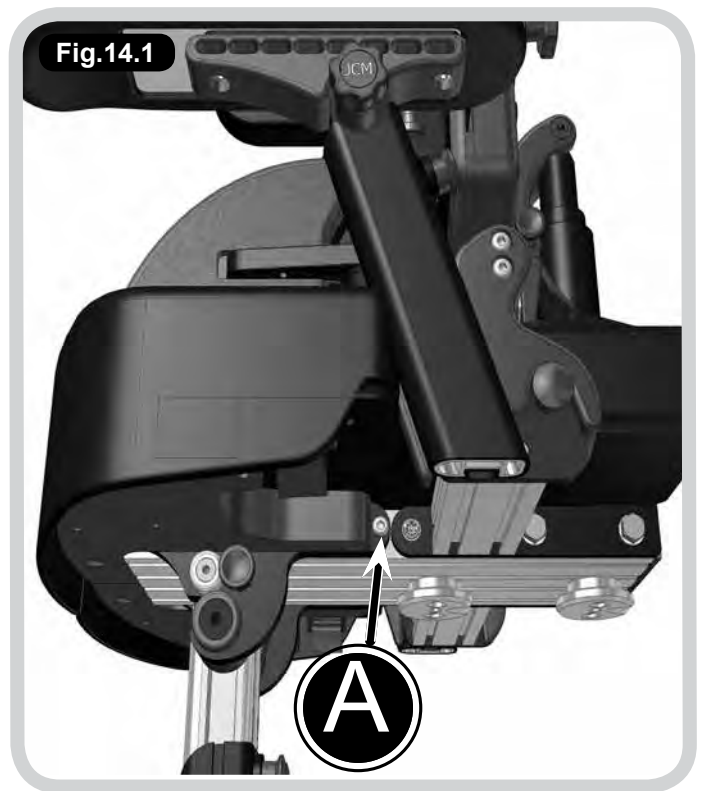
Adjusting The Seat depth (Fig14.1)

WARNING!

- When mounting the seating system to a base for the first time, or when an adjustment has been made to the size of the system, a stability assessment should be carried out prior to use of the equipment.
- Once you have adjusted the seat length, always ensure these points are firmly fixed and are checked as part of maintenance of the chair.

NOTE: The Pluton Seat is Split into 2 halves (Left & Right) Follow the instructions below to adjust the seat depth for the user. If the user has a leg length discrepancy then you can adjust and lock off either sides of the seat at any point within their range (150mm)

- Loosen (do not remove) the allen key bolts (A) on both sides of the seat.
- Slide the seat in or out to change the length.
- Fix the position by tightening the allen key bolts securely.



15.0 Fitting A Tray

DANGER!

- Always ensure that the arms are fixed in position and the tray is secure before leaving the user unattended.
- Never leave anything hot on the tray while the client is unattended.

Tray Fitting Instructions (Fig 15.1-15.2)

NOTE: Arms (optional accessory) are required in order to fit a tray.

- Pick up the tray from the front, holding from the top with the fingers of each hand engaged with the pull latches A on either side of the tray.
- Place the tray onto the arm tops B, sliding the tray in toward the occupant until the desired position is reached.
- Release the latches (sprung loaded) to engage them, ensuring the latch has fully locked into the closest available engagement position C on the underside of the Arm Top.
- Ensure both left and right latches are engaged and the tray is secure before commencing use of the chair.

Fig.15.1

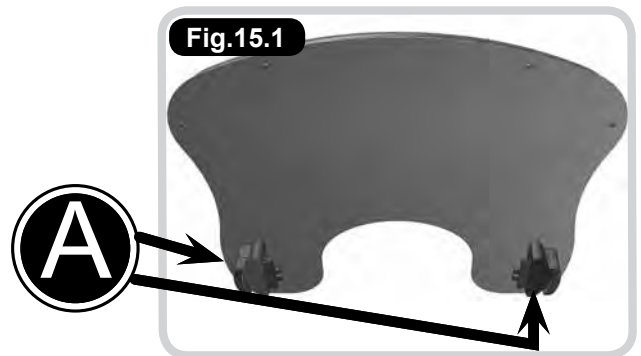
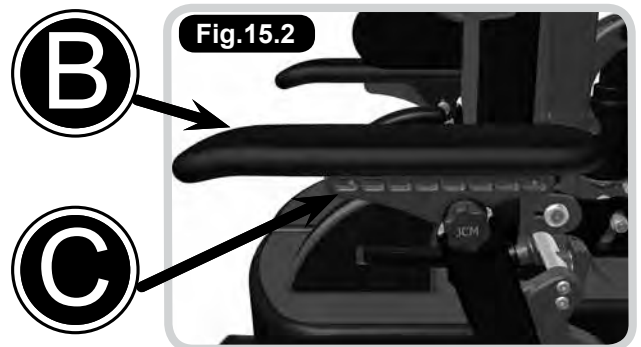


Fig.15.2



16.0 Pad Adjustment

Sacral Pad Adjustment (Fig.16.1)

Pad Height

- Pull the cushioned pad away from the framework
- Loosen the allen key bolts (A) on both sides of the sacral pad (2 altogether).
- Move the pad up or down within the adjustment slot.
- Once in place tighten the bolts to secure.

Pad Angle & Depth

- Loosen Locking Bolt B by one full turn using the 4mm Allen Key Provided (Ensure this is complete for both left and right fixings)
- The Sacral Pad can now be freely moved for angle and fore & aft position.
- Set the desired position and then re-lock the fixing screws to secure the pad in place.
- Note: The Sacral Pad can also facilitate a degree of rotational adjustment – To achieve this you should adjust the fore & aft position of left & right sides independently.

Hip Pad Adjustment (Fig.16.2)

Hip Pad Width

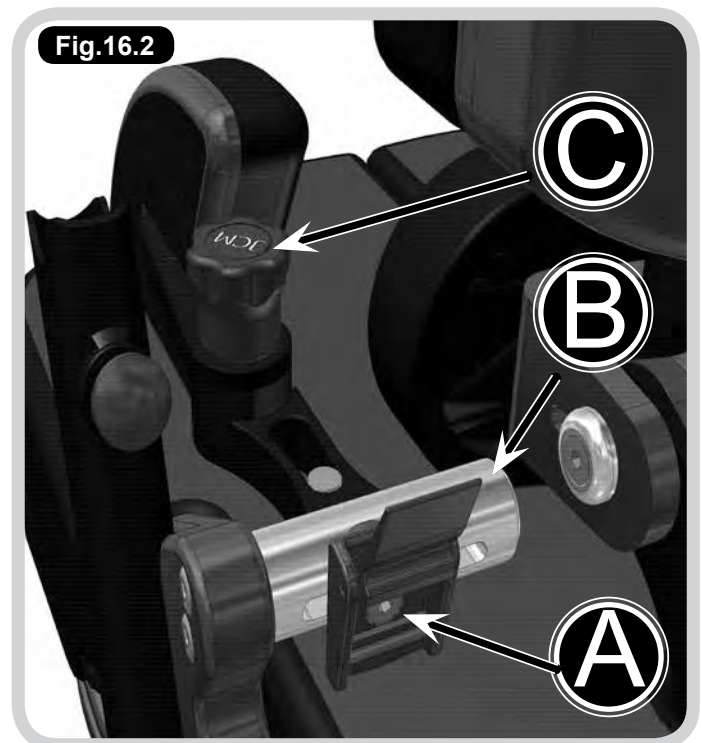
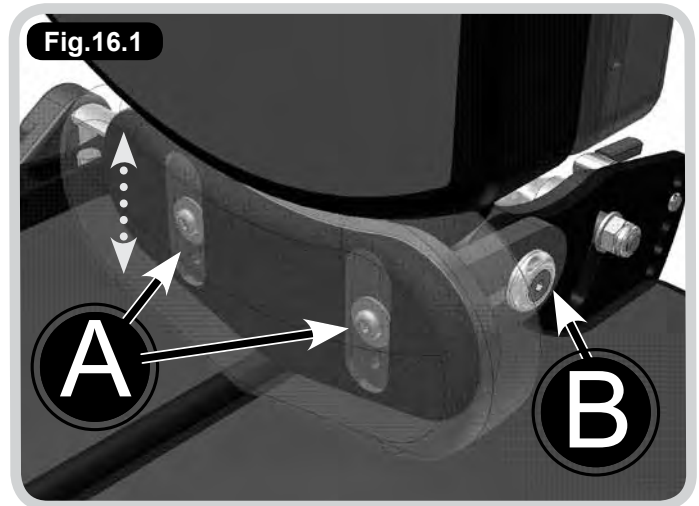
- Loosen Locking Bolt A by one full turn using the 4mm Allen Key Provided
- The Hip Pad can now be freely moved along the width adjustment rail B.
- Set the desired position and then re-lock the fixing screw to secure the pad in place.

Hip Pad Angle (Where Fitted)

- To set the angle of the pad you should loosen the securing handwheel C by rotating a couple of turns in an anti-clockwise motion.
- Once released the pads can be positioned by pressing down on the handwheel whilst simultaneously altering the angle of the pad using your other hand.
- Once the desired position has been achieved you should release the handwheel and re secure it by turning in a clockwise direction until hand tight.

CAUTION!

Pad Angle – As an Alternative you can position the pad without pressing down the handwheel, though this has potential to shorten the life of the locking mechanism and is therefore not recommended.



Thigh Pad Adjustment (Fig.16.3-16.5)

These pads enable you to sit the client in an abducted position which can help to lower muscle tone, create a wider sitting base and maintain the hips in a good position.

Inner Thigh Pad Fitting & Adjustment

- To fit the inner thigh pads, Screws A complete with Washers B should be inserted through the carrier plate and into the dedicated holes on the underside of the Seating Unit.
- Tighten each screw using the 4mm allen Key provided.
- Once held on (but not fully locked off) you can continue to set the other adjustment.

Abducting the legs

- With Screws A still loose, rotate the inner thigh pad to the desired position.
- Once attained, lock off screws using the 4mm Allen Key provided.

Flip Down the Inner Thigh Pad (To facilitate Transfers)

- Press and Hold Button C, whilst flipping down the inner thigh pad.
- To reengage the inner thigh pad, simply rotate back up and into place until it latches securely.

Outer Thigh Pad Fitting & Adjustment

- To fit the outer thigh pads, Screws A complete with Washers B should be inserted through metal adductor bracket into the dedicated holes on the plastic carrier plate.
- Tighten each screw using the 4mm Allen Key provided.
- Once held on (but not fully locked off) you can continue to set the other adjustment.

Adducting the Legs / Setting Channel Width

- With Screws A still loose, slide the outer thigh pad along it fixing slot to the desired position.
- Once attained lock off screws using the 4mm Allen Key provided.



Fig.16.3

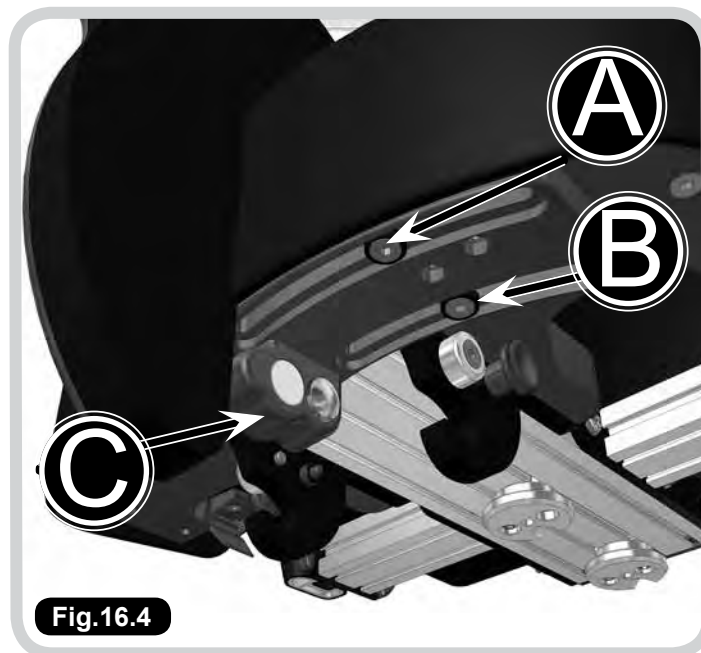


Fig.16.4

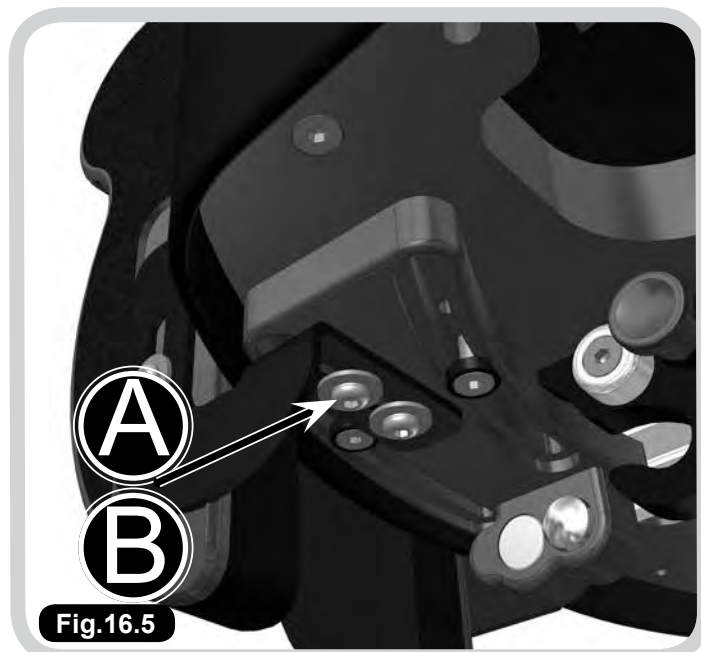


Fig.16.5

17.0 Headrest Adjustment

Adjusting The Wing Angle

This adjustment point allows you to move the wing position to offer more side support to the head. This adjustment point allows you to alter the angle of the headrest to support the head and neck.

- Unzip the headrest cover at the back and loosen the lock lever (A).
- Adjust the sides of the headrest into the desired position.
- After desired position has been reached tighten the bolts to secure in place.

Perform this for either side wing of the headrest.

Adjusting the Headrest Angle

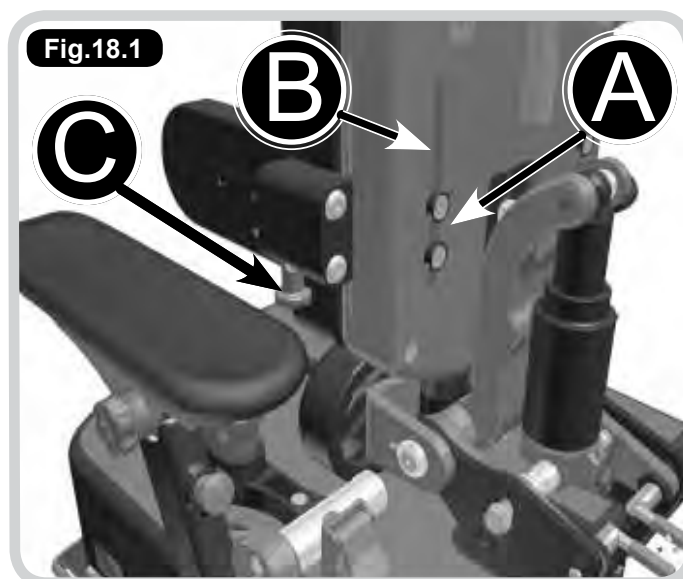
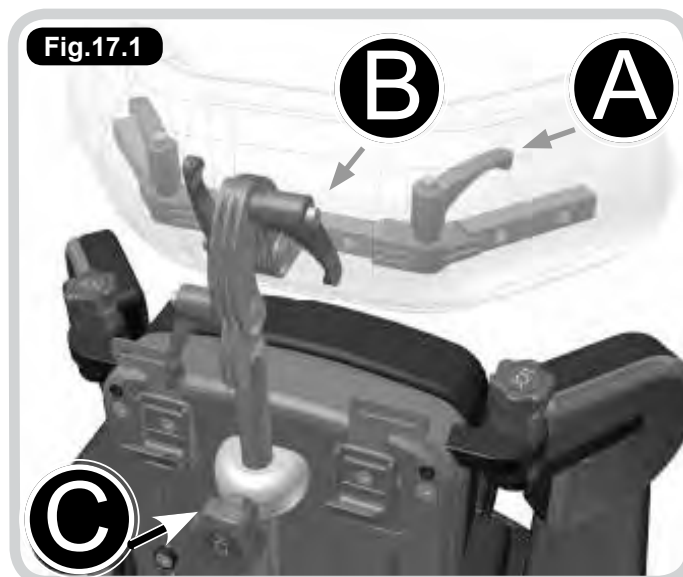
- Levers (B) should be operated together to achieve the desired head positioning of the user. Loosen the levers by turning anti-clockwise.
- Once loose, the head support angle can be manually adjusted to suit the user.
- Tighten the levers to secure in place.

Adjusting the Headrest Height

- Loosen the hand wheel (C)
- Slide the headrest up or down inside the bracket on the back of the chair.
- Re tighten the hand wheel to secure in place.

WARNING!

Always check that the headrest is secure and the wings are not tight around the head. The headrest wings are ideally set at 45 degrees to the back.



18.0 Lateral Support Adjustment

Height & Width of Supports

- Loosen both bolts (A) using the allen key provided.
- Slide the pads up or down along the slot in the seat back (B) to adjust the height.
- Slide the pads horizontally to adjust the width.
- Re tighten the allen key bolts to secure.

Flip Away Action (Where Fitted)

- Pull plunger (C) downwards.
- Flip the supports away to aid transfer or set up.
- When ready push the supports back in, until they lock in place.

WARNING!

Check that the supports are not too high under the arms of the user or tight around chest area by running your fingers around the inside of the supports. Also check that the supports do not infringe on any feeding tubes.

19.0 Arm Rest Adjustment

Adjusting Arm Height

- (A) highlights the plunger which is used to adjust the height of the arms and therefore in turn the height of the tray.
- Pull plunger (A) outwards away from the arm, and while holding the lever open slide the arm up or down, selecting one of the holes which come into view as you raise the arm up from its lowest position.
- When a suitable position has been acquired, lock the arm into place by releasing the lever, ensuring it fits securely back in place.

Adjusting Arm Angle

- To set the angle of the arm top you should loosen the securing handwheel (B) by rotating a couple of turns in an anti-clockwise motion.
- Once released the arm top can be positioned by pressing down on the handwheel whilst simultaneously altering the angle using your other hand.
- Once the desired position has been achieved you should release the handwheel and re secure it by turning in a clockwise direction until hand tight.

CAUTION!

The plunger (A) should pull out freely, if resistance is felt ensure no weight is being put through the arm rest.

Removing The Armrest

(Facilitates Side Transfer)

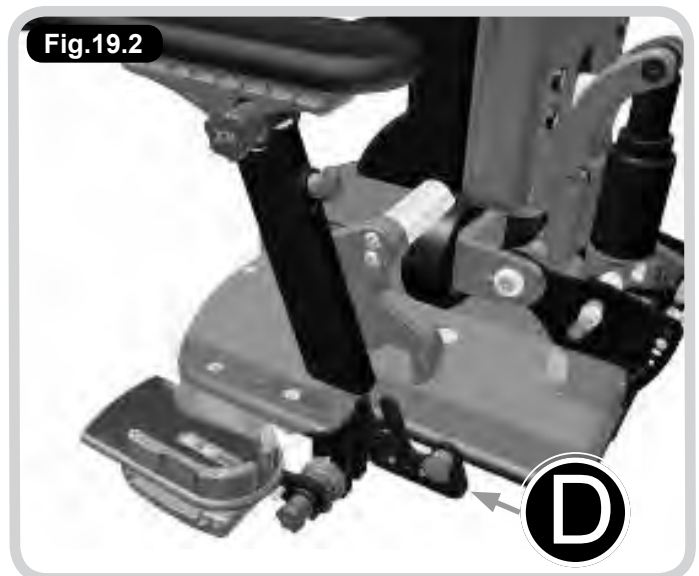
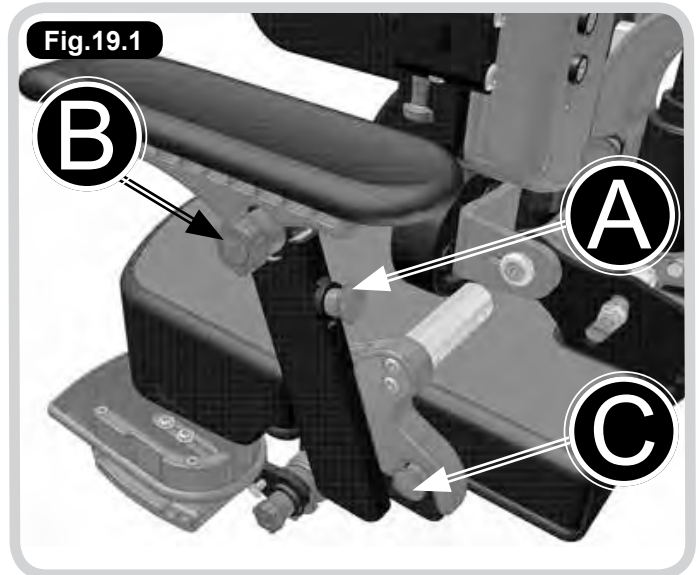
- To remove the arm rests entirely (complete with the attached hip pad), pull plunger (C) outwards and hold in the outward position with one hand. Use your other hand to lift the complete arm rest assembly upwards away from the seat.
- To replace, reverse the operation, lowering the arm rest assembly back onto the fixation plate (D), holding open the plunger to allow it to engage fully before releasing the plunger to lock the arm back into position.

WARNING!

Always ensure that the arms are securely fixed before using the chair.

CAUTION!

Arm Top Angle – As an Alternative you can position the Arm Top without pressing down the handwheel, though this has potential to shorten the life of the locking mechanism and is therefore not recommended)



20.0 Legrest Adjustment/Removal

Split Option:

NOTE: When fitted with Split Leg Stems/Footplates, it is possible to set the angle for both left and right stems independently. To do this follow the instructions below for each leg stem.

Angle Adjustment

- Pull and Hold Out plunger A with one hand before adjusting the legrest angle with your other hand to the desired angle.
- When you have achieved the desired position, release the plunger to secure in the next available locking position.
- Ensure the plungers are securely located in position.

Removing the Leg Stem

Facilitates Standing Transfer.

NOTE: Removal of the Footplates can also help when packaging for transportation or when the seat is to be utilised on a chassis with its own integrated footplates.

- To Remove the Leg Stems Entirely (complete with the attached footplate), remove safety boss B using the 4mm Allen Key Provided.
- Once removed, Pull and Hold Out Plunger A with one hand, using your other hand to rotate and pull away the Leg Stem entirely from the main seating unit.
- To replace, reverse the operation, locating the leg stem onto the fixation Hook C, holding open the plunger to allow it to engage fully before releasing the plunger to lock the leg stem into position.
- Finally refit the safety boss using the 4mm Allen Key provided.

Fig.20.1

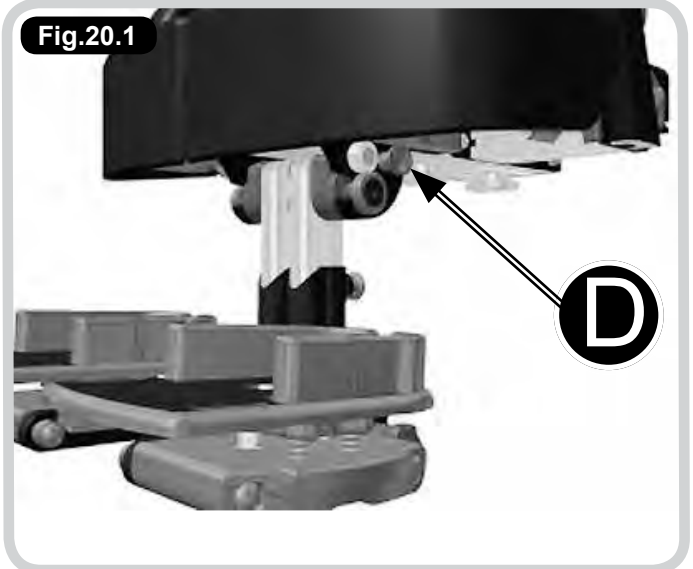
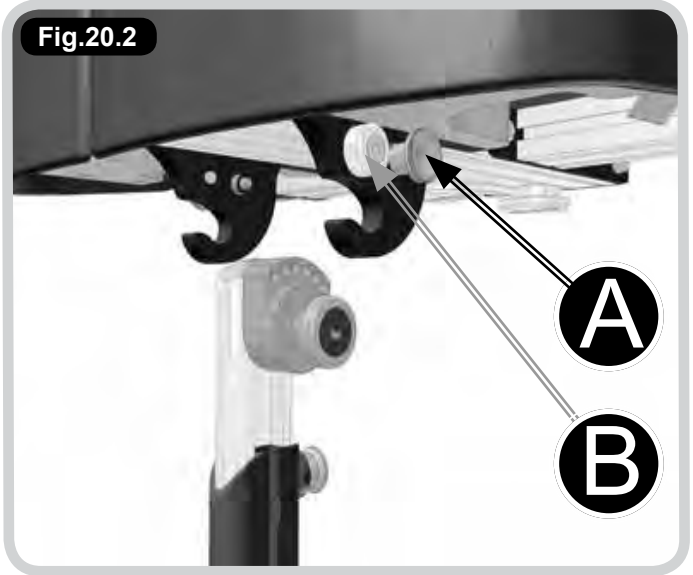


Fig.20.2



21.0 Foot Position Adjustment

Footplate Angle Adjustment

- To set the angle of the footplate you should loosen the securing handwheel A by rotating a couple of turns in an anti-clockwise motion.
- Once released the Footplate can be positioned by pressing down on the handwheel whilst simultaneously altering the angle using your other hand.

Once the desired position has been achieved you should release the handwheel and re secure it by turning in a clockwise direction until hand tight.

Flipping Up the Footplate

Facilitates Standing Transfer.

- Press in Button B with one hand, using your other hand to flip up the footplate.
- To flip back down, simply rotate the footplate down until it latches back into place.

Footplate Height

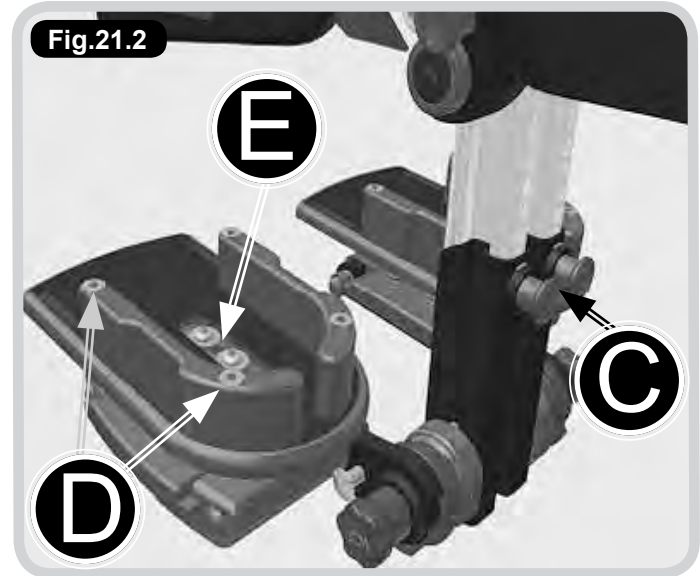
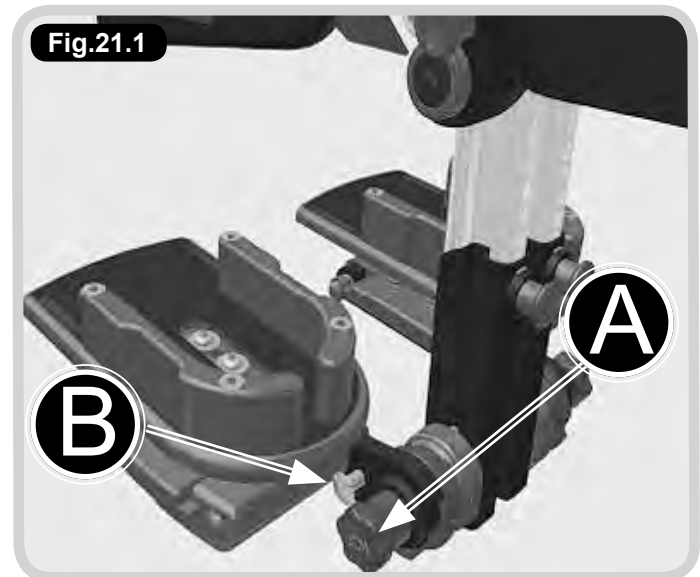
- Pull and hold open Plunger C, whilst maintaining hold of the footplate with your other hand.
- Once disengaged, the footplate stem should be free to slide up and down the legrest stem.
- Slide to the desired position before releasing the Plunger to engage it within the closest available location hole.
- Ensure the plunger is fully engaged before commencing use of the chair.

Foot Holder Positioning

NOTE: The Foot Holder/Plate can be adjusted for Foot Size, Fore & Aft, Side to Side (width between feet) and Foot Angle (in conjunction with Ab/Adduction) Each of these adjustments is covered below.

Foot Size

- Turn locking screws D anti-clockwise half a turn using the 4mm Allen Key provided
- Slide the Heel guide in or out to narrow/widen the space available for the foot.
- Repeat for the opposing Heel Guide if require before re-securing the locking screw D to hold them in place.

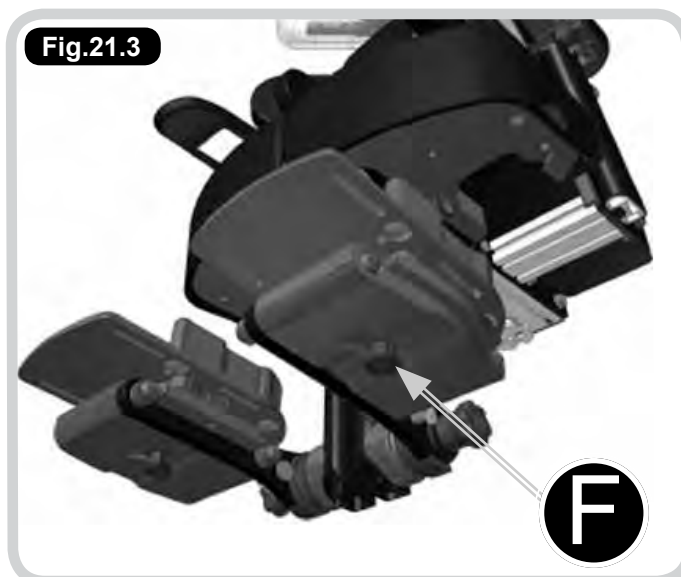


Fore and Aft, Rotation

- Turn Locking Screws E anti-clockwise half a turn using the 4mm Allen Key provided.
- Slide the entire foot holder forwards or backs whilst simultaneously setting the rotation of the plate.
- Once the desired position has been acquired re-secure the locking screws to hold back in place.

Side to Side/Width Adjustment

- Pull and hold open Plunger F, whilst maintaining hold of the footplate with your other hand.
- Once disengaged, the footplate holder should be free to slide sideways, bringing the feet together/apart as required.
- When you have achieved the desired position, you should release the Plunger to engage it within the closest available location hole.
- Ensure the plunger is fully engaged before commencing use of the chair.



Foot Straps

Foot straps or ankle huggers can be attached through the slots in the sandal to secure feet. Feed the strap through the buckle and close the buckle shut to secure.

WARNING!

Do not use foot straps unless the client is wearing shoes.

CAUTION!

- Plunger C should pull out freely, if resistance is felt ensure no weight is being put through the footrest.
- Footplate Angle – As an Alternative you can position the Footplate without pressing down the handwheel, though this has potential to shorten the life of the locking mechanism and is therefore not recommended.

22.0 Dynamic Back Set Up

DANGER!

- Never modify your shock system. Modification, improper service or use of non-Sunrise Medical spare parts voids the warranty and could cause a malfunction resulting in serious injury.
- Follow the maintenance schedule, if the shock system shows any malfunctions such as losing oil, making unusual sounds or any part is bent or broken, cease use of the seating system immediately and contact Sunrise Medical for assistance.
- Never try to open or disassemble the shock system. Opening the shock system could cause serious injury.

Setting the Strength of Resistance & Power of Return

For maximum performance and comfort, it is necessary to adjust the strength of resistance and power of return of the dynamic mechanism, (A). The resistance is adjusted by varying the air pressure and should be determined by the user's weight, seating position, seat design and personal preference.

The air pressure is adjusted with a standard schrader valve shock system pump (B) on the main air valve of the dynamic mechanism.

Strong Resistance:

Increasing the Air Pressure

The shock system is more difficult to compress during use. The seat back feels firmer when pushed against.

- Attach the pump to the air valve on the back of the dynamic mechanism (B).
- Pump air into the valve to increase pressure.
- Watch the pressure valve dial on the pump to determine the amount of pressure added.

Weak Resistance:

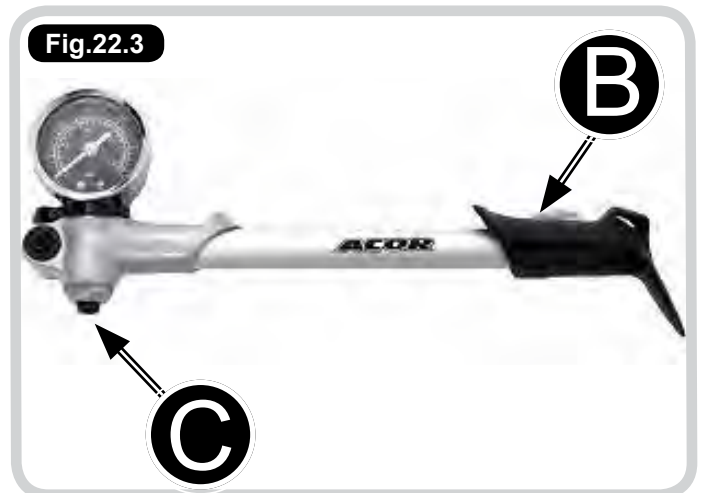
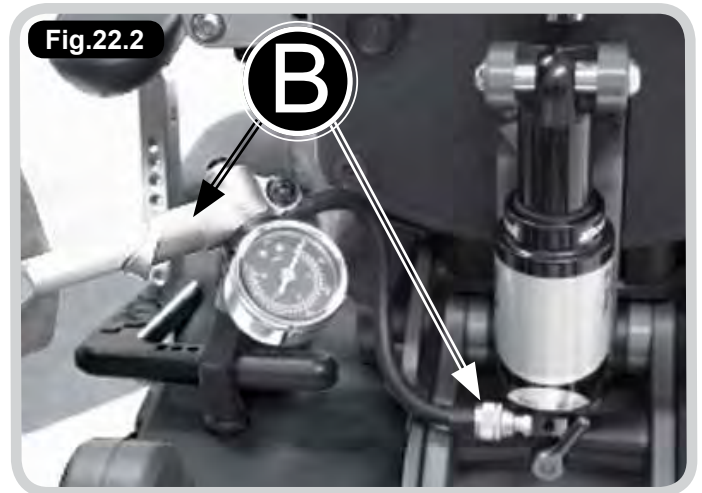
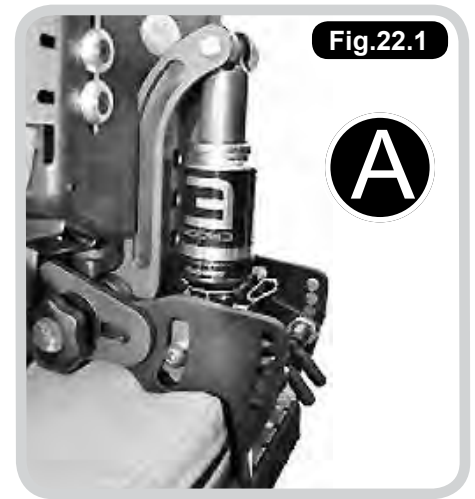
Decreasing the Air Pressure

Makes the shock system compress more easily. The seat back feels softer when pushed against.

- Press button (C) on the pump and keep depressed until the air pressure resistance achieves required level.

DANGER!

- The pressure range is 50-250psi.
- Never exceed an air pressure of 250psi in the uncompressed shock system.
- Exceeding the maximum air pressure of 250lbs/inch could result in serious injury.



Setting The Power of Return

The power of return controls the rate at which the shock system decompresses or rebounds. The amount of return strength needed depends on the user's weight, the spring rate which is set by the air pressure, the amount of use, the sitting style and personal preferences.

The best way to adjust the return strength is to decrease it completely by turning the red adjuster wheel (D) clockwise (labelled slow, "E") and test by placing the user in the seat. Increase the damping by slowly turning the wheel counter clockwise (labelled fast, "E") until the user feels comfortable and safe without the suspension kicking the user too far forward.

Disengaging the Mechanism

Occasionally at meal times etc it is necessary to disengage the dynamic mechanism. To do this:

- Lock the system by switching the lever from the "open" to "locked" position on the lever on the shock system, (F).
- The mechanism should not be left in the 'locked' position as part of normal use. You should ensure the mechanism is returned to the 'open' position once the activity demanding the lock out has been completed.

Maintenance Schedule

The rear shock systems need a minimum of maintenance only use water and soap to clean the system.

CAUTION!

Never use a high pressure washer or any water under pressure to clean the shock system as water may enter the system.

Before every use:

- Check air pressure (it is normal for the shock system to lose air pressure slightly over time) - Check to ensure it is appropriately set for your client.
- Adjust power of return set up to ensure it is set appropriately for your client.

WARNING!

- The extensive service of the shock system internals must only be done by an authorized technician.
- Please note that your Sunrise Medical rear shock is filled with oil and nitrogen. This makes it impossible to open the rear shock without having the knowledge and special tools required to carry out this task. Please do not try to open the rear shock for service issues, this implies a very high risk of getting seriously injured. Besides this you will not be able to reassemble the shock any more. Opening the shock will void its warranty.
- If there is a problem with your rear shock, cease use of your chair immediately and contact Sunrise Medical Seating Solutions.

Fig.22.4

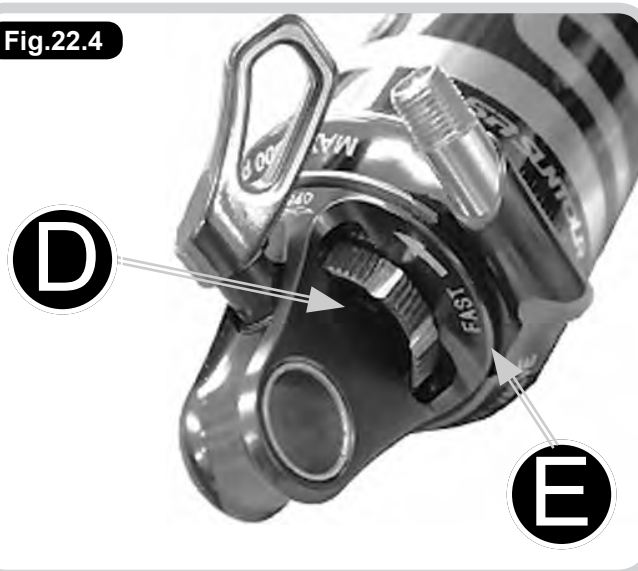


Fig.22.5



23.0 Cleaning and Care

We recommend the following points for successful cleaning of your equipment:

NOTE: It is possible that some surface wrinkling may occur following these processes.

Fabric Upholstery Care

Refer to Sunrise Medicals separate fabric cleaning guide which can be found on their website www.SunriseMedicalseating.co.uk or in hardcopy format from the Sunrise Medical office. Do not use bleach, acidic, solvent, abrasive, biological or phenolic based cleaners.

Metal Framework

- If all upholstery is removed the metal framework can be cleaned with hot soapy water and detergent or it can be steam cleaned. (Labelling may need to be replaced following steam cleaning).
- Ensure that the framework is thoroughly dried after cleaning.
- Always ensure that any moving or adjustable parts are re-lubricated.

24.0 General Maintenance

General maintenance should be carried out by a competent, professional person who is well informed on how to use the equipment (see warranty - page 33) if there is no such person available or a more thorough check is needed, a service via an approved repairer (see opposite) should be booked. The person who carries out the maintenance check or service should always fill out the service history log record (page 32) in order to ensure the warranty remains valid.

As documented opposite, the degree of maintenance required is dependant on various factors relating to the use of the product. In addition to the specific functional adjustment warnings specified in this manual, it should be ensured that a thorough inspection of the following should be completed at no greater than 6 month intervals:

NOTE: Please see the Maintenance Table on the next page.

NOTE: Points listed here are generic across the Sunrise Medical range and do not apply to all products.

Maintenance Table

Castors	Lift base and check each wheel to ensure it is not damaged, loose or worn.
Brakes	Removing any grease or dirt that has built up on the wheels, check that the brakes stop the wheels rotating. Check they are securely fixed in place & that there are no signs of damage or wear & tear.
Pushing Handles	Ensure handles are functioning correctly. Check there are no signs of damage or wear and tear. Ensure push handle grips are secure.
Seat Tilt In Space Mechanism	With the tilt lock released check for free movement with no signs of damage or wear to the mechanism, lever or cables. Tighten the lock and ensure it holds the seat angle.
Base Height Adjustment	With the seat unloaded, press the lever & ensure it moves freely to the maximum height. In incremental stages add weight up to the maximum load (40, 60, 80 or 100kgs) and, over a period of time (approx 10 - 15 minutes), check that there is no creep (lowering) of the seat. If it is not practical to perform this test, as a minimum requirement, immediately following the maintenance check, the static position of the seat should be monitored whilst a user is positioned in the system. With the load on, press the lever & ensure the seat travels freely to the lowest position.
Seat / Backrest Upholstery	Check the attachment points of the seat and backrest upholstery are tight. Check for worn covering. Rough worn upholstery can cause discomfort, would be difficult to keep hygienically clean, and may cause skin irritation.
Interface	Check there are no signs of damage or wear and tear. Ensure the function secures the seating unit properly.
Frame With correct maintenance the frame should provide at least 5 years trouble free use but, depending on conditions of use, wear will occur and a thorough inspection is recommended.	Check all metal parts to ensure there are no signs of damage or wear and tear, paying particular attention to adjustable or moving parts. Check there are no signs of failure in joints and welds. Check tightness & security of all fixings, bolts, nuts, spring loaded pegs, & other fitments. Check for signs of fatigue wears, replace parts that show signs of wear or repeatedly becoming loose. ANCHOR POINTS (where applicable) for transportation must be checked to ensure security, check there are no signs of damage, wear and tear or failure.
Fixtures	Check arm pads and headrest and replace if worn.

What should be completed during a service?

A service is a comprehensive combination of inspection, maintenance and repair or replacement of worn, faulty or missing components. The growth and any changes of the occupants needs since the original assessment is taken into account when performing the service. This is in contrast to general maintenance (opposite), where only straightforward checks, inspections and adjustments take place and primary services are planned.

What happens if a fault is found?

If any faults are found that could prove to be a risk to either the user or the operator then all use of the equipment should be ceased immediately until the product has been repaired.

Who should carry out the service?

It is stressed that only a Sunrise Medical approved repairer or a person with competent training of a Class 1 medical device should carry out this work.

Any modifications must not be carried out without prior agreement of Sunrise Medical Seating Solutions Ltd. It must be understood that unauthorised modifications may pose a risk to users and attendants. Unauthorised modifications will also invalidate the warranty.

Any new parts required should be genuine Sunrise Medical Seating Solutions Ltd. approved parts, fitted to Sunrise Medical specifications.

Frequency of Service

Sunrise Medical recommend that a service of this product is completed once every 6 months as a minimum. However, the frequency of inspection and service must be altered depending upon the severity of use. If the system is used in any of the following ways then the use could be said to be fairly heavy and constant. Therefore we would recommend the service interval be reduced to once every three months;

- Daily for around 8 to 10 hours.
- Weekly for at least 6 days out of 7.
- Monthly for at least 11 months a year.
- By an active user or somebody who is very active voluntarily or involuntarily.
- By a user who is above 80% of the maximum user weight recommended.
- Transported in a moving vehicle twice or more in a day.



CAUTION!

If the usage exceeds the amount highlighted above it is possible that services every six weeks or less might be needed.

How To Book A Service

Sunrise Medical have specified technicians trained to service our products. If you would like Sunrise Medical to service your chair or for further information please contact us on 01733 405830.

Alternatively, contact the person who issued you with the product.

26.0 Service Record Log

This log is an important record of usage and care of the product. It is a primary tool in predicting the need for further service and maintenance. It should be completed each time an inspection, service or any other significant manipulation has taken place. Sunrise Medical Seating Solutions Ltd. will require proof of service for any warranty claims or orders.

Seating system serial number _____
Date delivered _____ / _____ / _____
Battery use by date _____ / _____ / _____

Date	Serviced Performed	Organisation	Print Name & Sign

Please contact Sunrise Medical if additional log sheets are required.

28.0 Inspecting and Reissuing of Equipment

Most Sunrise Medical Seating Solutions Ltd. products are individually assessed for a client prior to issue. They are handed over in a controlled way to ensure optimum fit and specification, checks are completed and any additional individual verbal instructions given. We therefore recommend the following points are adhered to prior to any re-issue of equipment:

Cleaning

Follow a rigorous process of cleaning in order to decontaminate the product and eliminate the chance of cross infection.

Assessment of Fabrics / Foams

Carefully assess the condition of fabrics and foams in the seating product, and have these replaced partially or even completely if need be. In severe cases if the chassis is worn and the seating in poor condition it may be necessary to have the product re-furnished by the manufacturer. In very severe cases if the chassis is badly worn and the seating in very poor condition then the product should be decommissioned and disposed of.

Electrical and Electronic Equipment Decommissioning

If your product is set up with an electrical function you should always contact Sunrise Medical or your authorised representative for de-commissioning information.

Appropriateness of Equipment

Check that the equipment supplied is appropriate for the needs of the user taking age, weight, ability, diagnosis, and any other important factors into account. For instance, Sunrise Medical Seating Solutions Ltd. products may not be suitable for persons with severe challenging patterns of behaviour. Also ensure safe specified limits for use are not exceeded by the new user. Your sales representative can advise on the suitability of the equipment.

Manuals and Records

Ensure this instruction manual and any additional manuals for the seating unit are handed over to the new user with the equipment and ensure the servicing log history is up to date. Records on the new user must be updated to maintain traceability.

Inspection

The equipment should have a rigorous inspection prior to the reissue, to include the points covered in the six monthly routine check, regardless of if the checks were recently completed. The equipment should be free of excessive wear or distortion in any aspect of its main construction or accessories.

Condition

Wheels, tyres and brakes must be in good working condition, properly adjusted and inflated as appropriate.

Accessories

Check all accessories carefully for damage and potential shortcomings which may pose a risk to the user.

Function

Ensure that all the functions of the chair are working correctly e.g. tilt in space, height adjustment, back recline, folding etc.

Fixings

Check that any knobs, hand wheels, nuts, bolts, levers and fixings are in good condition and fitted in place securely.

Modifications

Any special modifications, adaptations, alterations or other such procedures including added accessories may require review. If they are found inappropriate, remedial action (if considered safe and practical) should be taken to reverse them if possible.

Labelling

Any labelling specific to the previous user should be removed and replaced with labelling specific to the new user.

Adjustment

Adjustment of the equipment to the new user must be carried out by suitably qualified and experienced professionals. These adjustments along with the other appropriate checks and tests should be completed with the owners knowledge and agreement.

Hand Over

Competent handing over of the equipment to the new user or attendant must include proper training and advice in safe use, particularly regarding transportation issues.

Packaging

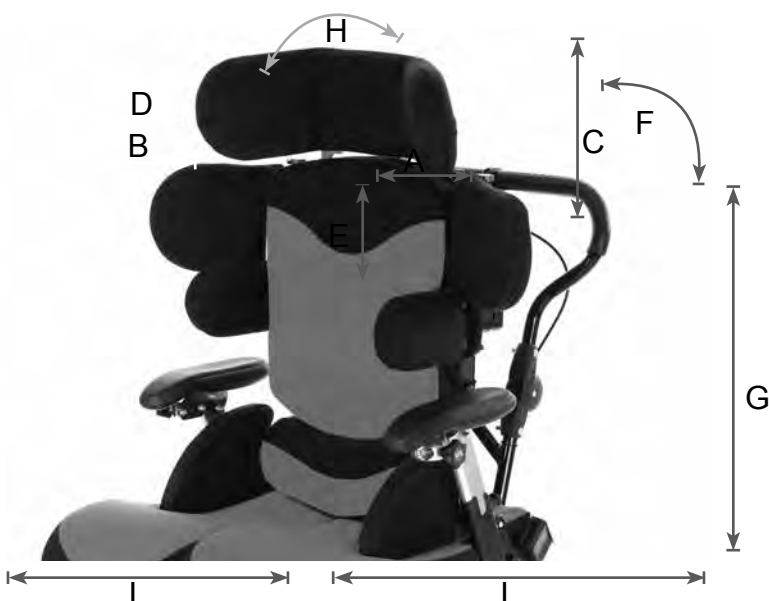
Always ensure that the chair is packaged correctly before delivery.

Handle Fitting

Please note that the handle fitted is dependent on the size of the chair. You therefore need to ensure the size label on the handle matches the size of the chair being used.

Abmessungen + nützliche Informationen

MESSUNGEN (mm)	Pluton 1		Pluton 2		Pluton 3		Hinweise
	MIN.	MAX.	MIN.	MAX.	MIN.	MAX.	
A Sitztiefe	200	350	300	450	400	550	
B Sitzbreite (zwischen den Hüften)	150	250 (315)	230	330 (395)	310	410 (475)	(mm) - bei abgenommenen Hüftpolstern
C Sitz bis Oberkante der Schulter	300	440	390	560	480	680	
D Brustbreite	150	270	230	350	310	430	
E Sitz bis Fußbrett	190	370	260	440	330	510	Beinlänge hat 2 Einstellungen, um Min/Max zu erzielen
F Winkel von Sitz und Rücken							
Gewicht des Sitzes:	14,5 kg		17,0 kg		19,5 kg		Leitlinie (inkl. Arme, Hüften, Seitenteile, Fußbretter)
Tragfähigkeit							Siehe immer die Tragfähigkeit des Fahrgestells
Richtwert für das Alter	4-9 Jahre		8-13 Jahre		12-Erwachsener		
Abmessungen bei Montage an mehrfach höhen- und neigungsverstellbares Fahrgestell							
G Sitz bis Boden			100 mm Lenkrad: Min. - 355 / Max. - 815			100 mm ist Standard	
H Neigungswinkel /nach vorne							
I Standfläche des Fahrgestells							
<p>Beim Pluton handelt es sich um ein modulares Sitzsystem, bei dem die Auswahl der Breite und Länge von Sitz, Rücken und Beinen bei der Abklärung bestimmt werden kann. Das Sitzsystem wird dann so gebaut, dass es von Anfang an die beste Passform und ein maximales Wachstum gewährleistet. Die hier angegebenen Abmessungen sind eine Orientierungshilfe für die Standardgrößen, die erhältlich sind.</p>							



Bitte beachten Sie, dass es sich bei allen angegebenen Abmessungen nur um Anhaltspunkte handelt. Sunrise Medical kann den Stuhl exakt auf die individuellen Anforderungen anpassen. Unsere Fachleute werden die Bedürfnisse Ihres Kindes beurteilen, um sicherzustellen, dass der Stuhl jetzt und in Zukunft für den vorgesehenen Zweck geeignet ist.

Einführung

Sehr geehrte Kunde,

Wir freuen uns sehr, dass Sie ein Qualitätsprodukt von SUNRISE MEDICAL gewählt haben.

Der Pluton ist für komfortables Sitzen und eine Unterstützung der Haltung ausgelegt. Das System ist in fünf Größen erhältlich für Kinder ab einem Alter von 6 Monaten bis zu Erwachsenen.

Diese Bedienungsanleitung enthält sehr wichtige Informationen über das Neptune Sitzsystem und wie man es sicher benutzen und optimale Ergebnisse damit erzielen kann. Bitte lesen Sie alle Informationen in dieser Anleitung durch, bevor Sie den Stuhl benutzen und bewahren Sie diese zur späteren Verwendung auf. Stellen Sie sicher, dass alle Personen, die diese Vorrichtung benutzen, mit dem Inhalt dieser Anleitung vertraut sind und wissen, wie man diese Vorrichtung sicher benutzt.

Diese Anleitung enthält Angaben für das Fachpersonal zu den verschiedenen Einstellungen sowie Informationen über den sicheren Gebrauch, die Wartung, Überprüfung und ordnungsgemäße Montage für alle Personen, die das Sitzsystem benutzen.

Die Vorrichtung darf nur von qualifiziertem Fachpersonal geliefert werden, welches die Vorrichtung eingestellt, auf Übereinstimmung überprüft und es ordnungsgemäß getestet hat.

Das Sitzsystem darf nur von qualifiziertem Fachpersonal und entsprechend geschulten Personen eingestellt werden. Für weitere Informationen stehen wir Ihnen gerne zur Verfügung - unsere Kontaktdaten lauten wie folgt:

Sunrise Medical GmbH & Co. KG
Kahlbachring 2-4
69254 Malsch/Heidelberg
Deutschland
Tel.: +49 (0) 7253/980-0
Fax: +49 (0) 7253/980-222
kundenservice@sunrisemedical.de
www.SunriseMedical.de

Vielen Dank für den Kauf unseres Produkts, wir hoffen, dass Ihnen Ihr neues Sitzsystem gefällt.

Verwendung

Die Konfigurationen für Begleitpersonen sind ausschließlich für gehunfähige oder gehbehinderte Menschen zum persönlichen Gebrauch im Haus oder im Freien bestimmt.

Das Höchstgewicht (das Körpergewicht des Benutzers und das Gewicht des im Rollstuhl eingebauten Zubehörs) ist auf dem Etikett mit der Seriennummer angegeben, das an der Querstange oder an der Stabilisierungsstange unter dem Sitzsystem angebracht ist.

Gewähr kann nur übernommen werden, wenn das Produkt unter den vorgegebenen Bedingungen und zu den vorgesehenen Zwecken eingesetzt wird. Die vorgesehene Lebensdauer des Produkts beträgt 5 Jahre.

Bitte KEINE Teile von anderen Herstellern für das Sitzsystem verwenden, außer diese sind von Sunrise Medical offiziell zugelassen.

GEFAHR!

- Es dürfen ohne Genehmigung keine elektronischen Geräte angebaut werden.
- Es dürfen ohne Genehmigung keine elektrisch oder mechanisch betriebenen Mobilitätsvorrichtungen eingebaut werden, welche die bestimmungsgemäße Verwendung oder den Aufbau des Sitzsystems verändern.
- Alle Kombinationen mit anderen Medizinprodukten müssen direkt von Sunrise Medical genehmigt werden.

Verwendungszweck

Die Vielfalt an Ausstattungsvarianten sowie die modulare Bauweise erlauben einen Einsatz bei Gehunfähigkeit/ Gehbehinderung durch:

- Lähmung
- Gliedmaßenverlust (Beinamputation)
- Gliedmaßendefekt/Deformation
- Gelenkkontrakturen/-schäden.
- Kreislaufinsuffizienz, Gleichgewichtsstörungen oder Kachexie.
- Bitte beachten Sie bei der Abklärung auch die Körpergröße, das Gewicht, die physische und psychische Verfassung, das Alter des Kindes sowie die Wohnverhältnisse und die Umgebung.

Betriebsbedingungen

Das Sitzsystem kann sowohl im Innen- als auch im Außenbereich auf trockenem und relativ ebenem Untergrund eingesetzt werden. Die Benutzung bei Sturm, Sturzregen, Schnee und Eis oder anderen extremen Witterungsverhältnissen wird nicht empfohlen.

Inhalt		
Abmessungen + nützliche Informationen	36	
Einführung	37	
Verwendung	37	
Verwendungszweck	37	
Inhalt	38	
Definitionen	39	
In dieser Anweisung verwendete Begriffsdefinitionen	39	
1.0 Wichtige Sicherheitshinweise	40	
2.0 Garantie	41	
3.0 Bremsen	42	
Betätigung der Bremsen (Fahrgestell für den Innenbereich)	42	
Bremsen feststellen	42	
Bremse lösen	42	
4.0 Brustgurt - Einstellen	42	
Brustgurt	42	
Befestigung am Stuhl	43	
Anschnallen	43	
5.0 Beckengurt - Sicherheit	43	
Einbau des Beckengurts	43	
Brust- und Beckengurt positionieren	44	
6.0 Einstellungspunkte und Betätigung der Hebel	45	
Einstellungspunkte unter dem Sitz (Fig. 6.1)	45	
Effektive Bedienung der Verschlusshebel (falls vorhanden)	45	
7.0 Benutzung der Hebel - Sicherungsbolzen	46	
Verwendung der Sicherungsbolzen		
(nur Version mit Verriegelung)	46	
8.0 Verstellen der Schutzpolster	46	
Polster-/Schulterbreite	46	
Winkel des Polsters/der Protraktion	46	
9.0 Sitzeinheit	47	
Montage	47	
Abnehmen	48	
Manuelle Sitzhöhenverstellung	48	
Höhenverstellung beim elektrischen Fahrgestell	48	
10.0 Sitzneigung	49	
Mehrfach höhen- und neigungsverstellbares Fahrgestell	49	
11.0 Faltpolster Schiebegriff	49	
Mehrfach höhen- und neigungsverstellbares Fahrgestell	49	
12.0 Verstellen des 5-Sterne-Fahrgestells	50	
So stellen Sie den Stuhl höher	50	
So stellen Sie den Stuhl niedriger (Fig. 9.8)	50	
Sitzneigungsverstellung am 5-Sterne-Fahrgestell	50	
13.0 Rückenverstellung	51	
Rückenwinkelverstellung	51	
Verstellen der Rückenhöhe	51	
14.0 Einstellen der Sitztiefe	52	
Verstellen der Sitztiefe (Fig. 14.1)	52	
15.0 Anbringen des Therapietisches	52	
Einbauanleitung für den Therapietisch	52	
16.0 Verstellen der Polster	53	
Verstellen des Kreuzbeinpolsters (Fig. 16.1)	53	
Verstellen des Hüftpolsters (Fig. 16.2)	53	
Verstellen des Oberschenkelpolsters	54	
17.0 Verstellen der Kopfstütze	55	
Winkel des seitlichen Polster verstellen	55	
Kopfstützenwinkel verstellen	55	
Höhe der Kopfstütze verstellen	55	
18.0 Verstellen der Pelotten	55	
Höhe + Breite der Stützen	55	
Wegschwenkfunktion (falls eingebaut)	55	
19.0 Verstellen der Armlehnen	56	
Einstellen der Armlehnenhöhe	56	
Verstellen des Armlehnenwinkels	56	
Abnehmen der Armlehne	56	
20.0 Verstellen/Abnehmen der Fußrasten	57	
Geteilte Option:	57	
Einstellen des Winkels	57	
Abnehmen des Fußrastenrohrs	57	
21.0 Verstellen der Fußposition	58	
Winkel des Fußbretts verstellen	58	
Fußbrett hochklappen	58	
Höhe des Fußbretts	58	
Positionierung der Fußschale	58	
Fußgröße	58	
Nach vorne und hinten, Drehung	59	
Verstellen von links nach rechts/der Breite	59	
Fußriemen	59	
22.0 Einstellen des dynamischen Rückens	60	
Einstellen des Widerstandes und der Rückstellkraft	60	
Luftdruck erhöhen	60	
Luftdruck verringern	60	
Rückstellkraft einstellen	61	
Mechanismus deaktivieren	61	
Wartungsplan	61	
23.0 Reinigung und Pflege	62	
Pflege der Bezugstoffe	62	
Metallrahmen	62	
24.0 Allgemeine Wartung	62	
25.0 Service durch einen autorisierten Fachhändler	64	
Was sollte bei einem Service durchgeführt werden?	64	
Wie weiter, wenn ein Defekt festgestellt wird?	64	
Wer sollte den Service durchführen?	64	
Serviceintervall	64	
So vereinbaren Sie einen Termin für einen Service	64	
26.0 Wartungsprotokoll	65	
27.0 Überprüfung und Neuausgabe von Ausrüstungen	66	
Reinigung	66	
Beurteilung von Stoffen / Schaumstoff	66	
Außerbetriebnahme von elektrischen und elektronischen Geräten	66	
Angemessenheit der Ausrüstung	66	
Bedienungsanleitungen und Aufzeichnungen	66	
Inspektion	66	
Zustand	66	
Zubehör	67	
Funktion	67	
Befestigungsteile	67	
Modifikationen	67	
Kennzeichnung	67	
Einstellung	67	
Übergabe	67	
Verpackung	67	
Einbau des Griffs	67	

Definitionen

In dieser Anweisung verwendete Begriffsdefinitionen

Wort	Definition
 GEFAHR!	Hinweis an den Benutzer, dass ein potentielles Verletzungsrisiko besteht, wenn der Anweisung nicht entsprochen wird
 WARNUNG!	Hinweis an den Benutzer, dass Verletzungsgefahr besteht, wenn der Anweisung nicht entsprochen wird.
 VORSICHT!	Hinweis an den Benutzer, dass ein möglicher Sachschaden am Rollstuhl auftreten kann, wenn der Anweisung nicht entsprochen wird
HINWEIS:	Allgemeine Empfehlung oder optimales Vorgehen
	Bezugnahme auf weitere Dokumente

HINWEIS:

Das Sitzsystem, das in diesem Handbuch abgebildet und beschrieben ist, entspricht möglicherweise nicht in allen Einzelheiten genau Ihrem eigenen Modell. Dennoch sind alle Anweisungen trotz möglicher Detailunterschiede völlig relevant.

Der Hersteller behält sich das Recht vor, Gewichte, Abmessungen oder andere in diesem Handbuch aufgeführte technische Daten ohne vorherige Benachrichtigung zu ändern. Alle in diesem Handbuch aufgeführten Zahlenangaben, Abmessungen und Kapazitäten sind ungefähr und stellen keine präzisen technischen Daten dar.

HINWEIS:

Bitte notieren Sie die Adresse und Telefonnummer Ihrer zuständigen Servicestelle in dem unten vorgesehenen Feld.

Benachrichtigen Sie Ihren Kontakt im Fall einer Panne, und versuchen Sie, alle relevanten Einzelheiten anzugeben, damit Ihnen rasch geholfen werden kann.

Unterschrift und Stempel des Fachhändlers:

1.0 Wichtige Sicherheitshinweise

WARNUNG!

Sunrise Medical hat sich der Herstellung von Produkten nach dem höchsten Standard verpflichtet. Alle unsere Produkte erfüllen die grundlegenden Sicherheits- und Umweltschutzanforderungen nach den europäischen Richtlinien. Durch unsachgemäße Verwendung der Produkte kann es zu einer Gefährdung des Benutzers kommen und daher empfiehlt Sunrise Medical dringend, die folgenden Informationen stets zu beachten.

WARNUNGEN!

- Vergewissern Sie sich vor dem Gebrauch, dass alle Verstellmechanismen gesichert und angebracht sind. Wenn es wahrscheinlich ist, dass sich die Handräder wiederholt lockern, kann Sunrise Medical als Alternative Innensechskantschrauben liefern. Wir empfehlen dies dringend, wenn diese Gefahr im Umfeld des Benutzers besteht.
- Nach Veränderungen bitte **SICHERSTELLEN**, dass alle Muttern, Schrauben, Handräder und andere Befestigungsteile fest angezogen und vorhanden sind. Diese Verbindungen sollten bei der Wartung des Stuhls regelmäßig überprüft werden. Bewegliche Teile nie zu weit einstellen oder zu fest anziehen.
- Alle Gurte, die die Haltung unterstützen, müssen vor jedem Gebrauch angebracht und richtig auf den Benutzer eingestellt werden (siehe Seite 9, 10 und 11).
- Wenn der Pluton auf ein Untergestell für den Innenbereich montiert wird, muss er immer auf einer ebenen, flachen Bodenfläche positioniert werden. Der Pluton kann von einem Arbeitsbereich in einen anderen geschoben werden. Zur Sicherheit das Produkt **IMMER** in die Neutralstellung bringen und absenken, bevor es geschoben wird (absenken, den Sitz gerade stellen und darauf achten, dass der Rücken aufrecht gestellt ist, etc.). Nach dem Verschieben des Stuhls und während des Gebrauchs muss der Stuhl zum Stillstand gebracht und die Bremsen müssen angezogen werden. Fahrgestelle für den Innenbereich - wie das kompakte Fahrgestell - sind für den Einsatz in Gebäuden ausgelegt. Sie können jedoch für kurze Zeit auch draußen gebraucht werden, wenn z. B. der Stuhl von einem Innenbereich in einen anderen gebracht wird.
- Schwere Gegenstände auf dem Therapietisch beeinträchtigen die Stabilität. Der Einbau anderer Tische als der standardmäßige Therapietisch von Sunrise Medical kann die Stabilität des Sitzsystems erheblich beeinträchtigen und sollte deshalb vor dem Einbau überprüft werden.
- Wenn etwa 10 Minuten nach dem Verlassen des Sitzsystems festgestellt wird, dass die Haut des Benutzers immer noch gerötet ist, wenden Sie sich sofort an das Fachpersonal, welches die Vorrichtung übergeben hat. Das kann darauf hindeuten, dass ein übermäßiger Druck vom Sitzsystem ausgeübt wird. Dieses Problem kann beim erstmaligen Gebrauch eines neuen Sitzes auftreten. Zudem wenn weitere Einstellungen erforderlich sind, wenn der Benutzer schlecht positioniert wurde, gewachsen ist oder bei einem zugrundeliegenden gesundheitlichen Problem. In diesen Fällen kann eine Überprüfung erforderlich sein

- Alle Produkte von starken Wärmequellen, Zigaretten und offener Flamme fernhalten.
- Wenn Sie den Verdacht haben, dass das System defekt ist, benutzen Sie es nicht weiter und wenden Sie sich unverzüglich an den Lieferanten des Systems. (Kontakt Daten finden Sie auf Seite 5).
- Die Vorrichtung ist mit wichtigen Informationen gekennzeichnet. Diese Aufkleber **KEINESFALLS** entfernen oder verunstalten, überkleben oder ändern lassen.
- Alle Änderungen, Einstellungen, Instandsetzungen, Reparaturen sowie die Entsorgung und Wartung der Sitzeinheit dürfen **NUR** von der Stelle durchgeführt werden, die das System geliefert hat (siehe Seite 30 - 31).

GEFAHR!

Mehrfach verstellbare Kopfstütze

Die seitlichen Teile an der Kopfstütze sollten möglichst auf 45 Grad eingestellt werden. Die seitlichen Polster **NICHT** zu nah an den Kopf bringen. Stellen Sie sicher, dass die Kopfstütze so eingestellt wird, dass das Kind seinen Kopf nicht um die seitlichen Polster legen und steckenbleiben kann.

Flexible Stützen und seitliche Pelotten

Achten Sie darauf, dass evtl. angebrachte Gurte die Magensonden - falls vorhanden - des Kindes nicht behindern.

WARNUNG!

Abduktionskeil

Der Abduktionskeil ist so ausgelegt, dass er die Knie des Benutzers abspreizt, um zu einer guten Hüftposition beizutragen. Verwenden Sie den Keil **NICHT** dazu, den Benutzer im Sitz zu fixieren. Nehmen Sie den Keil ab, wenn der Benutzer in den Sitz ein- und aus dem Sitz umsteigt.

Fußschalen und Riemen

Diese sollten nur fixiert werden, wenn der Benutzer Schuhe oder Stiefel trägt.

Therapietisch

Verwenden Sie den Therapietisch **NICHT** zum Sichern von Personen im Stuhl. Achten Sie immer darauf, dass der Beckengurt und andere Gurte angelegt werden. Achten Sie immer darauf, dass die Bügel an beiden Seite des Therapietisches sicher befestigt sind. Wenn der Therapietisch beschädigt ist, sorgen Sie dafür, dass der Benutzer dadurch nicht gefährdet wird. Lassen Sie Kinder nie unbeaufsichtigt, wenn sich heiße Gegenstände auf dem Therapietisch befinden.

GEFAHR!

ERSTICKUNGSGEFAHR – Diese Mobilitätshilfe enthält Kleinteile, die unter Umständen eine Erstickungsgefahr für kleine Kinder darstellen können.

GARANTIE

DIESE GARANTIE BESCHRÄNKT IHRE GESETZLICHEN RECHTE IN KEINER WEISE.

Sunrise Medical* gewährt seinen Kunden wie in den Garantiebedingungen dargelegt eine Garantie für Rollstühle, die folgendes abdeckt:

Garantiebedingungen

Sollte ein Teil oder sollten Teile des Rollstuhls als Folge eines Herstellungs- und/oder Materialfehlers innerhalb von 24 Monaten bzw. bei Rahmen- und Kreuzstreben innerhalb von 5 Jahren nach der Auslieferung an den Käufer eine Reparatur oder einen Austausch benötigen, wird das betroffene Teil bzw. werden die betroffenen Teile repariert oder kostenlos ausgetauscht. (Auf Batterien wird eine Garantie für einen Zeitraum von 12 Monaten gewährt, vorausgesetzt, die Wartung der Akkus wurde richtig befolgt)

Zur Geltendmachung der Garantie benachrichtigen Sie umgehend den Sunrise Medical Kundendienst mit genauen Angaben zur Art der Schwierigkeiten. Sollten Sie den Rollstuhl außerhalb des Zuständigkeitsbereichs des Sunrise Medical Kundendienstes verwenden, werden Reparatur oder Austausch von einem anderen vom Hersteller bezeichneten Kundendienst ausgeführt. Der Rollstuhl muss von einem zuständigen Händler repariert werden.

Für Teile, die im Rahmen dieser Garantie repariert oder ausgetauscht werden, gewähren wir eine Garantie nach diesen Garantiebedingungen. Also die für den Rollstuhl verbleibende Garantiedauer nach Ziffer 1.

Auf Original-Ersatzteile, die auf Kosten des Kunden eingebaut wurden, wird nach dem Einbau gemäß den Garantiebedingungen eine Garantiefrist von 12 Monaten gewährt.

Verschleißteile wie Polster, Reifen, Schläuche und ähnliche Teile sind von der Garantie ausgeschlossen. Es sei denn, es liegt eine vorzeitige Abnutzung der Teile vor, die direkt auf einen Herstellungsfehler zurückzuführen sind.

Ansprüche aus dieser Garantie entfallen, wenn eine Reparatur oder ein Ersatz des Rollstuhls oder eines Teiles aus den folgenden Gründen erforderlich ist:

Das Produkt oder das Teil wurde nicht gemäß den in der Betriebsanleitung und/oder dem Service-Handbuch aufgeführten Empfehlungen des Herstellers gepflegt oder gewartet.

Es wurde Zubehör verwendet, bei dem es sich nicht um Originalzubehör handelte.

Der Rollstuhl oder ein Teil des Rollstuhls wurde durch Nachlässigkeit, Unfall oder unsachgemäße Verwendung beschädigt.

Es wurden Änderungen/Modifikationen am Rollstuhl oder an Teilen vorgenommen, die von unseren Herstellerspezifikationen abweichen.

Es wurden Reparaturen durchgeführt, bevor unser Kundendienst über den jeweiligen Sachverhalt informiert wurde.

Diese Garantie unterliegt dem Recht des Landes, indem das Sunrise Medical Produkt gekauft wurde.

* Bedeutet der Standort von Sunrise Medical, von dem das Produkt gekauft wurde.

3.0 Bremsen

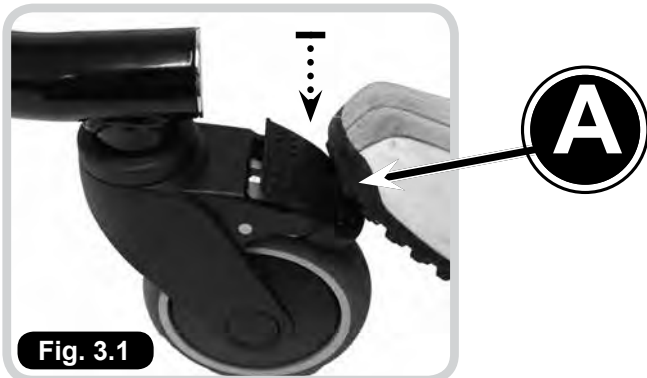
Betätigung der Bremsen (Fahrgestell für den Innenbereich)

WARNUNG!

Stellen Sie die Bremsen immer fest, wenn der Stuhl steht.

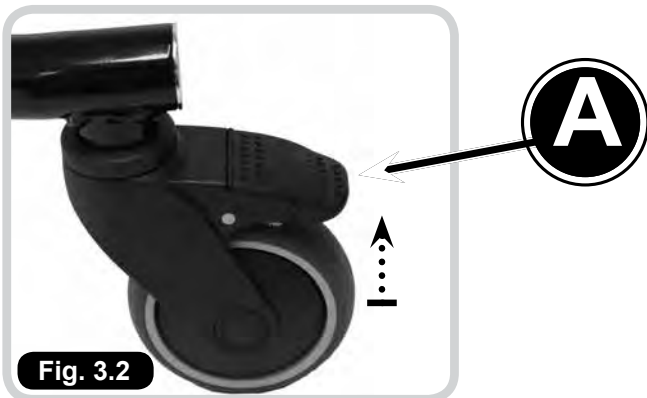
Bremsen feststellen

Drücken Sie mit dem Fuß auf den Hebel (A). Um den Stuhl zu arretieren, sollten Sie alle Bremsen, die an die Räder am Fahrgestell montiert sind, nach unten drücken. (Fig. 3.1).



Bremse lösen

Zum Lösen der Bremsen die Hebel mit der Oberseite Ihres Fußes nach oben stellen. Wenn alle Bremsen gelöst sind, kann sich der Stuhl frei in alle Richtungen bewegen. (Fig. 3.2).

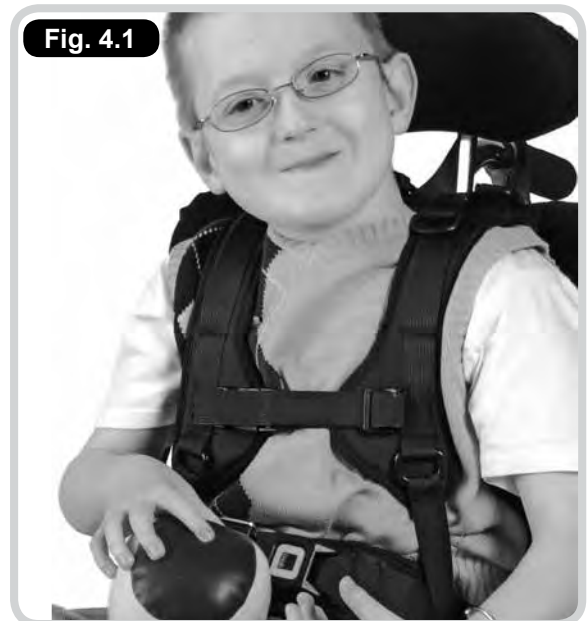


4.0 Brustgurt - Einstellen

Brustgurt

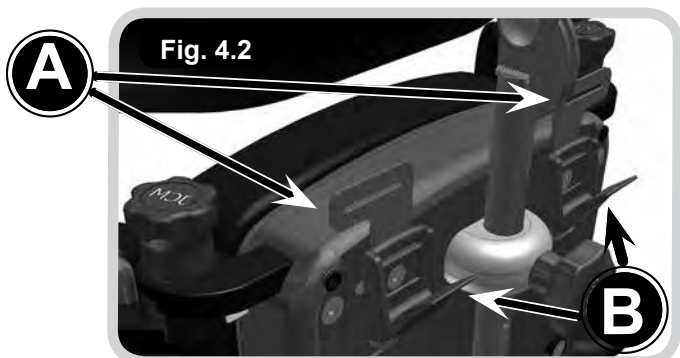
GEFAHR!

- Beim Einbau eines Brustgurts immer GROSSE VORSICHT walten lassen und immer die folgenden Punkte beachten:
- Die Gurte dürfen sich nie nahe am Hals des Kindes hin bewegen oder den Hals auf irgendeine Weise behindern.
- Die Gurte dürfen nie zu eng angebracht und durch nichts behindert werden.
- Der Brustbeingurt am Brustgurt muss vor dem Gebrauch immer so eingestellt werden, dass er sich nicht höher als in der Mitte der Brust des Benutzers befindet.
- Wenn ein Brustgurt verwendet wird, muss immer ein Beckengurt eingebaut werden, damit das Kind nicht nach unten auf den Brustbeingurt rutschen kann.
- Achten Sie immer darauf, dass die Gurte bequem sitzen und unterstützen. Wenn die Kleidung des Kindes angepasst wurde (z.B. ein Pullover wurde ausgezogen), müssen die Gurte entsprechend angepasst werden. (Fig. 4.1).

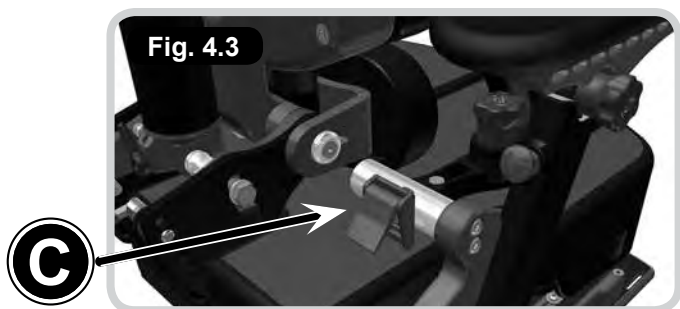


Befestigung am Stuhl

- Der Pluton ist mit Führungsplatten für die oberen Gurte ausgestattet. Diese befinden sich an beiden Seiten des oberen Rückens (A). Der Gurt muss durch diese Führungen eingeführt, eingestellt und dann mit den Schnallenverschlüssen des Mitnehmers (B) direkt unter den Führungsplatten befestigt werden. (Fig. 4.2).



- Die Gurte an der Unterseite des Gurts müssen eingeführt, eingestellt und dann mit dem Schnallenverschluss (C) - der sich an der Hüftpolsterschiene befindet - arretiert werden. (Fig. 4.3).



Anschnallen

- Den Gurt durch die Gurtschnalle führen.
- Die Gurte sollten so weit durchgezogen werden, dass das Kind gut abgestützt ist und trotzdem noch bequem sitzt.
- Wenn das erreicht ist, muss die Schnalle geschlossen werden, um den Gurt zu sichern. (Fig. 4.4).



⚠️ WARNUNG!

Die gleichen Vorsichtsmaßnahmen müssen für alle Arten von Rumpfstützen oder flexiblen Stützen mit Gurten beachtet werden.

⚠️ GEFAHR!

Wenn auch nur die geringste Gefahr besteht, dass sich die Gurte um den Hals Ihres Kindes verfangen könnten, **NEHMEN SIE DIE GURTE SOFORT AB.**

5.0 Beckengurt - Sicherheit

⚠️ GEFAHR!

DER FALSCH EINGEBAU VON BECKENGURTEN KANN EINE ERNSTHAFTE GEFAHR FÜR DEN BENUTZER DARSTELLEN.

Einbau des Beckengurts

Bei Verwendung von Beckengurten empfehlen wir, immer die folgenden Punkte zu beachten:

Der Winkel, mit dem der Hüftgurt am Sitzsystem befestigt ist, wirkt sich direkt auf den Zugwinkel am Becken aus.

Berücksichtigen Sie folgendes:

- Ein Befestigungswinkel von 60° zur Sitzschiene positioniert den Hüftgurt vor und unter dem Darmbeinstachel. Dadurch neigt ein Patient mit Beckenkippung nach hinten weniger dazu, unter den Gurt zu rutschen.
- Ein höherer Befestigungswinkel der Hauptgurte ermöglicht eine Beckenkippung nach vorne, was bei der Positionierung von Patienten mit Beckenkippung nach vorne hilfreich ist.
- Die sekundären Gurte eines 4-Punkt-Hüftgurts werden zwischen 45° und 90° am Sitzpfosten befestigt, um den gepolsterten Hauptgurt in Position zu halten und um zu verhindern, dass der Gurt über den Bauch hochrutscht oder verdreht wird.
- Der Befestigungswinkel muss unter Umständen angepasst werden, z.B. bei Wunden im Beckenbereich, instabilen Hüftgelenken oder Magensonden.

Gurt festziehen:

Den Gurt beim Einstellen und beim täglichen Gebrauch mit den Einstellgurten festziehen, damit die Polster richtig sitzen. Bei gepolsterten Hüftgurten müssen sich die Polster berühren, wenn sie richtig festgezogen sind. Bei Hüftgurten ohne Polster müssen die Einstellgurte an der Schnalle ca. 3" (75 mm) lang sein. Die Pflegeperson muss unbedingt in der richtigen Positionierung des Hüftgurts geschult werden.

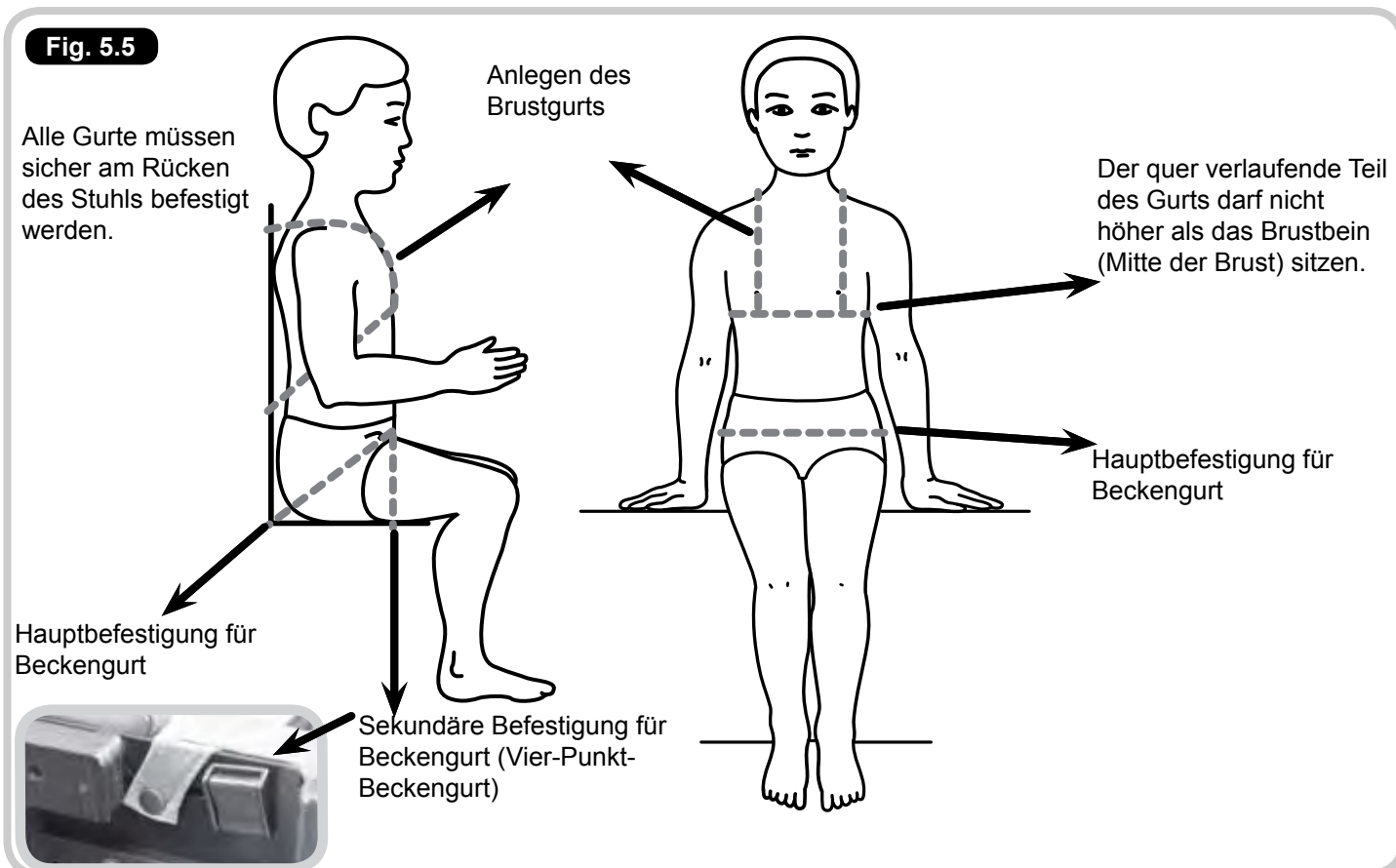
Größen:

Messen Sie die Hüftbreite, um die richtige Gurtlänge zu ermitteln. Zum Messen der Hüftbreite wird empfohlen, von Trochanter bis Trochanter zu messen. Wenn das nicht möglich ist, messen Sie von Darmbeinstachel bis Darmbeinstachel und fügen Sie 5 cm hinzu. Die richtige Gurtgröße für die Person weist eine Polsterung auf, die alle hervorstehenden Knochen abdeckt.

- Überprüfen Sie immer, dass das Becken des Kindes symmetrisch und sicher an der Rückseite des Sitzes positioniert ist.
- Achten Sie immer darauf, dass der Becken- und der Brustgurt das Kind sicher halten und bequem sind. Achten Sie darauf, dass der Gurt richtig anliegt: Es müssen noch zwei Finger zwischen den Gurt und den Körper des Kindes passen.
- Das Kind nie ohne angelegten Beckengurt unbeaufsichtigt im Stuhl lassen.
- Ein Beckengurt sollte immer angebracht werden, wenn ein Brustgurt genutzt wird.
- Wenn der Winkel zwischen dem Sitz und dem Rücken geändert wird, den Brust- und Beckengurt immer neu einstellen, um sicherzustellen, dass alle Sicherheitsempfehlungen erfüllt werden.

Brust- und Beckengurt positionieren

Im Diagramm unten wird die empfohlene Position des Brust- und Beckengurts gezeigt (Fig. 5.1):



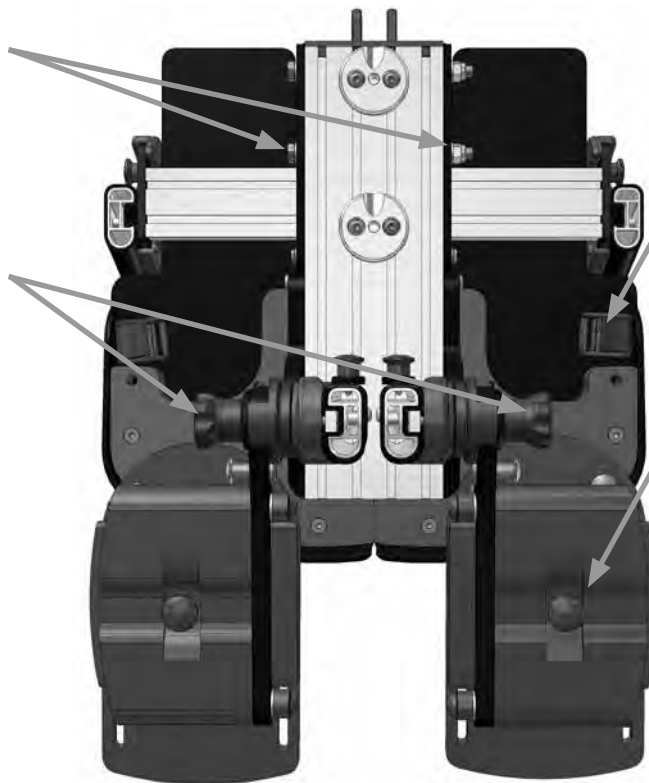
6.0 Einstellungspunkte und Betätigung der Hebel

Einstellungspunkte unter dem Sitz (Fig. 6.1)

Fig. 6.1

Stellschrauben für die
Sitztiefe

Winkelverstellung des
Fußbretts



Vordere Befestigungsschnalle
für den Beckengurt

Breitenverstellung des
Fußbretts

Effektive Bedienung der Verschlusshebel (falls vorhanden)

Nehmen Sie die Hebel nie ganz ab, da Sie sonst später
keine Anpassungen mehr vornehmen können.

- Benutzung: Drehen Sie den Griff zum Anziehen im Uhrzeigersinn und zum Lösen gegen den Uhrzeigersinn.
- So benutzen Sie den Hebel, wenn Sie auf ein Hindernis treffen: Ziehen Sie den Griff des Hebels nach außen zu sich her (A). Dadurch wird die Funktion des Hebels deaktiviert.
- Halten Sie den Hebel nach außen und bringen Sie den Hebelgriff in einer geeigneten Position am Hindernis vorbei.
- Lassen Sie den Griff los, um die Hebelfunktion (B) wieder zu aktivieren und dann wie gewohnt anziehen oder zu lockern.
- Wiederholen Sie diesen Vorgang an den Stellen, an denen die Verstellmöglichkeit wegen eines Hindernisses begrenzt ist.

Fig. 6.2



Fig. 6.3



7.0 Benutzung der Hebel - Sicherungsbolzen

Verwendung der Sicherungsbolzen (nur Version mit Verriegelung)

So bringen Sie die Sicherungsbolzen in die geöffnete Stellung:

- Ziehen Sie die Sicherungsbolzen auf maximale Spannung heraus (B).
- Drehen Sie die Sicherungsbolzen um eine halbe Umdrehung gegen den Uhrzeigersinn (C). Damit ist der Bolzen in der geöffneten Stellung.
- Schließen - Drehen Sie die Sicherungsbolzen um eine halbe Umdrehung im Uhrzeigersinn, dieser sollte dann in die verriegelte Stellung zurückspringen (A).

8.0 Verstellen der Schutzpolster

Polster-/Schulterbreite

Drehen Sie die Feststellschraube (A) mit dem mitgelieferten 4 mm Inbusschlüssel um eine halbe Umdrehung, positionieren Sie das Polster von Hand passend für den Benutzer, indem Sie das Polster nach innen oder außen schieben.

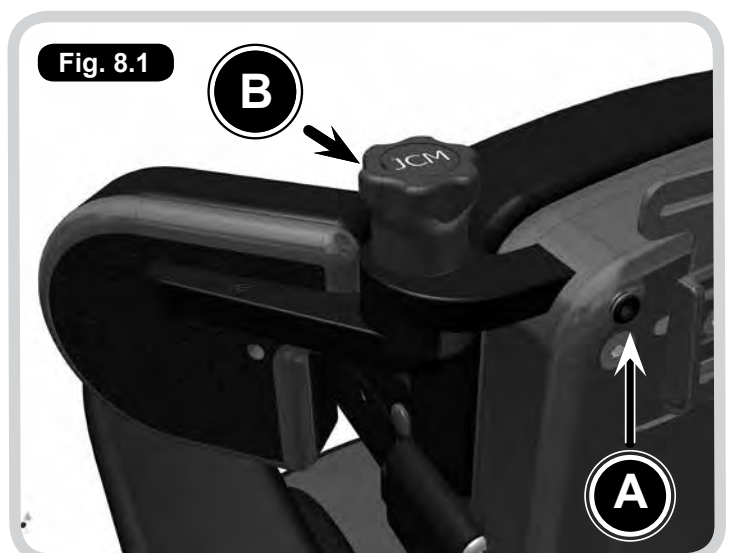
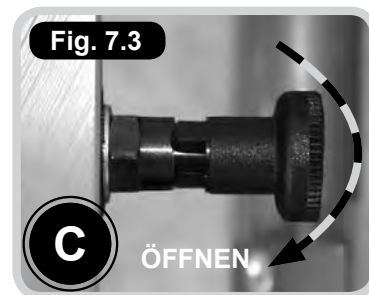
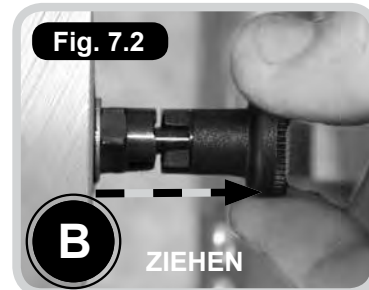
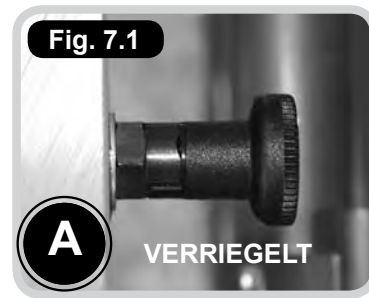
Arretieren Sie das Polster durch Anziehen der Feststellschraube A.

Winkel des Polsters/der Protraktion

Lösen Sie zum Verstellen des Polsterwinkels das Handrad (B), indem Sie es zwei Umdrehungen gegen den Uhrzeigersinn drehen. Wenn die Polster entriegelt sind, können sie positioniert werden: Drücken Sie dazu das Handrad mit einer Hand nach unten, während Sie mit der anderen Hand den Winkel des Polsters verstellen. Wenn die gewünschte Position erreicht ist, lassen Sie das Handrad los und drehen Sie es von Hand im Uhrzeigersinn, bis es arretiert ist.

VORSICHT!

Polsterwinkel – Sie können das Polster auch positionieren, ohne dass Sie das Handrad nach unten drücken. Dadurch kann aber die Lebensdauer des Verriegelungsmechanismus verkürzt werden und deshalb empfehlen wir dieses Vorgehen nicht.



9.0 Sitzeinheit

Montage

WARNUNG!

Vergewissern Sie sich immer, dass das Fahrgestell stabil steht und die Bremsen festgestellt sind, bevor Sie die Sitzeinheit montieren.

VORSICHT!

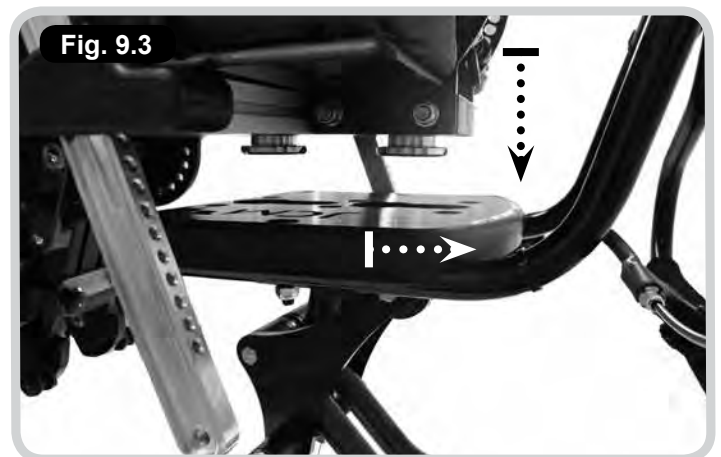
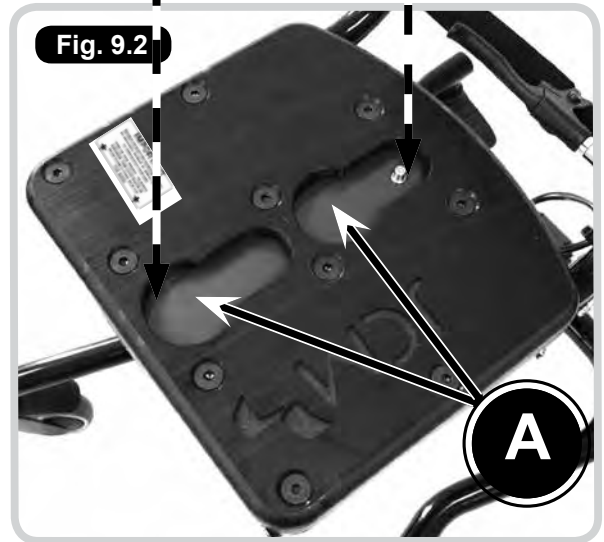
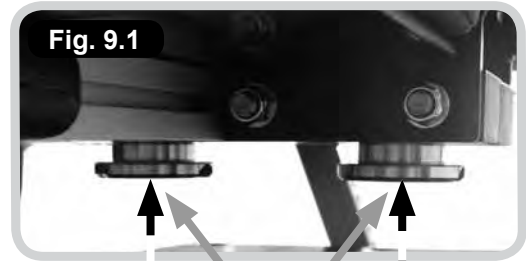
Bitte beachten Sie, dass der eingebaute Griff von der Größe des Stuhls abhängt. Sie müssen deshalb sicherstellen, dass der Größenaufkleber am Griff der Größe des Stuhls entspricht, der benutzt wird.

Siehe, (Fig. 9.1 - Fig. 9.2).

- An der Oberseite der Schnittstellenplatte (A) befinden sich 2 Ausschnitte. Diese sind für die Rastnasen (B) an der Sitzeinheit bestimmt.
- Positionieren Sie die Sitzeinheit über der Schnittstellenplatte und richten Sie die Rastnasen (B) zu den Ausschnitten (A) an der Schnittstellenplatte aus.
- Setzen Sie den Sitz vorsichtig auf die Schnittstellenplatte und achten Sie darauf, dass die Rastnasen (B) zu den Ausschnitten an der Schnittstellenplatte (A) ausgerichtet ist.
- Schieben Sie die Sitzeinheit nach innen zum Rücken des Sitzes hin, bis die Rastnasen hörbar einrasten.
- Stellen Sie sicher, dass der Sitz sicher am Fahrgestell befestigt ist, bevor Sie ihn benutzen.

Die Seitenansicht zeigt, wie die Rastnasen der Sitzeinheit auf die Ausschnitte in der Sitzstellenplatte abgesenkt werden (Fig. 9.3).

Ansicht des Sitzes, wenn dieser auf dem Fahrgestell eingerastet ist (Fig. 9.4).



Abnehmen

Lösen Sie den Sicherungsbolzen (C), der sich unter der Schnittstellenplatte befindet und schieben Sie den Sitz nach vorne, um ihn vom Fahrgestell abzunehmen (Fig. 9.5 - 9.6).

Manuelle Sitzhöhenverstellung

Mehrfach höhen- und neigungsverstellbares Fahrgestell

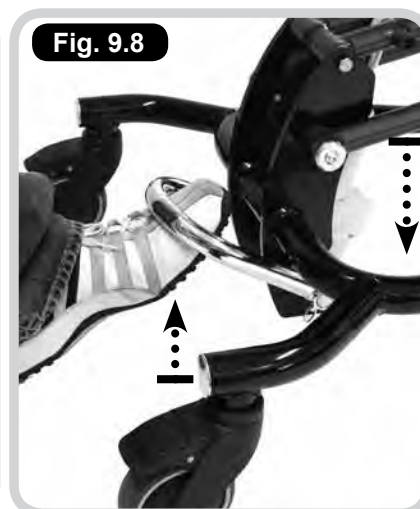
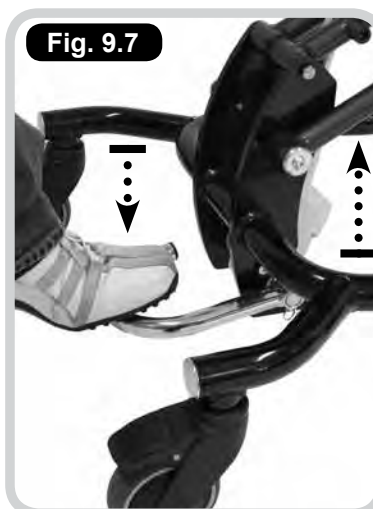
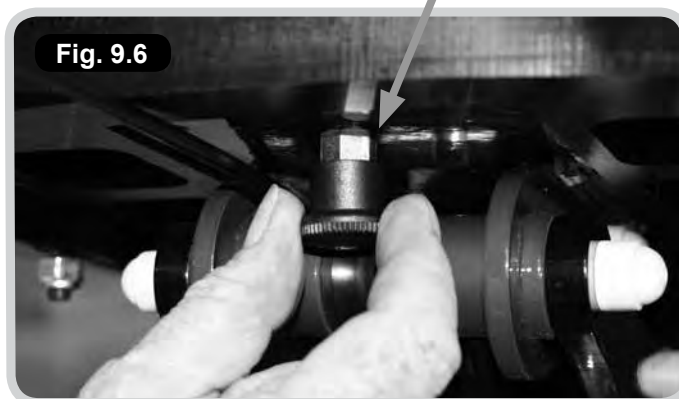
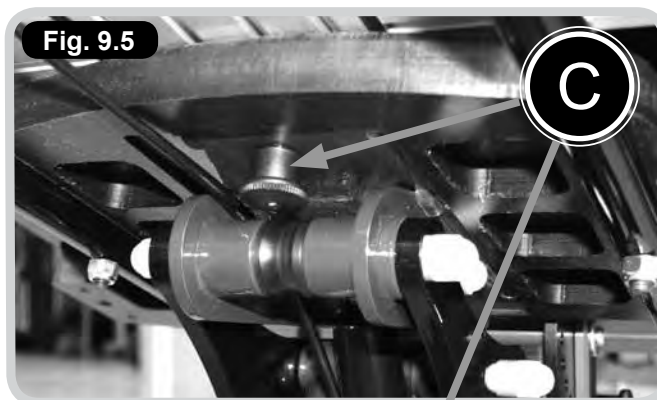
Das mehrfach höhen- und neigungsverstellbare Fahrgestell ist für alle Größen des Pluton geeignet. Es wird durch einen Hydraulikmechanismus gesteuert.

So stellen Sie den Stuhl höher (Fig. 9.7).

Betätigen Sie das Fußpedal mehrmals, bis die gewünschte Höhe erreicht ist. (Der Stuhl wird mit jeder Betätigung des Pedals höher gestellt.)

So stellen Sie den Stuhl niedriger (Fig. 9.8)

Schieben Sie Ihren Fuß unter das Pedal und heben Sie es vorsichtig an. (Der Stuhl wird automatisch abgesenkt).



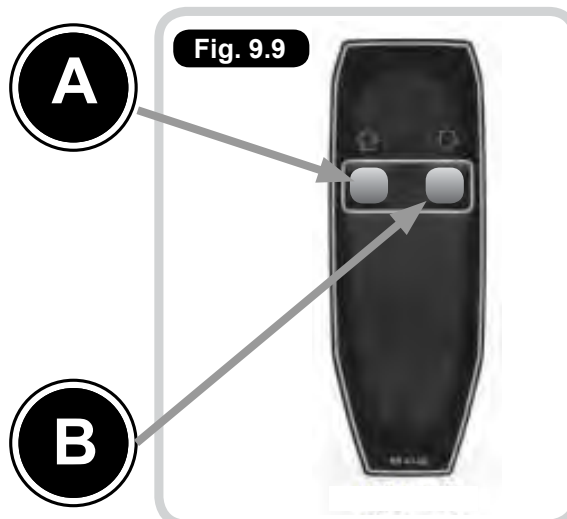
Höhenverstellung beim elektrischen Fahrgestell

Als Option erhältlich (Fig. 9.9).

VORSICHT!

Achten Sie vor der Verwendung dieses Stuhls immer darauf, dass der Verstellmechanismus durch nichts behindert wird.

Taste A = NACH OBEN
Taste B = NACH UNTEN



10.0 Sitzneigung

Mehrfach höhen- und neigungsverstellbares Fahrgestell (Fig. 10.1 - 10.3)

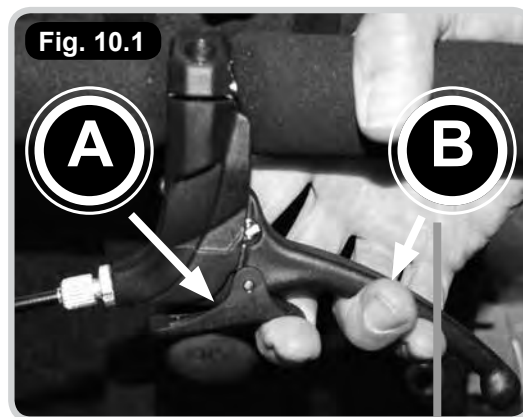
WARNUNG!

Vergewissern Sie sich immer, dass das Fahrgestell stabil steht und dass die Bremsen festgestellt sind, bevor Sie die folgenden Einstellungen vornehmen.

- Lösen Sie die Verriegelung am Griff, indem Sie den kleinen Verschluss (A) am Griff nach oben drücken.
- Rückenwinkelverstellung:
Drücken Sie den Griff (B) fest mit einer Hand und drücken Sie den Schiebegriff des Stuhls nach unten. Verstellen Sie gleichzeitig mit der anderen Hand, die sich an der Armlehne oder an der Seite des Stuhls befindet, den Rücken nach hinten.
- So neigen Sie ihn nach vorne:
Drücken Sie den Griff (B) fest und ziehen Sie den Schiebegriff des Stuhls nach oben und nach vorne. Verstellen Sie gleichzeitig mit der anderen Hand, die sich an der Armlehne oder an der Seite des Stuhls befindet, den Rücken nach vorne.
- Wenn die gewünschte Position erreicht ist, lassen Sie den Griff (B) los, um die Sitzneigungsverstellung zu arretieren.
- Achten Sie darauf, dass sich der Verschluss (A) am Griff wieder in die geschlossene Stellung bewegt, um sicherzustellen, dass der Sitz in der gewünschten Neigung arretiert ist.

WARNUNG!

Die Bedienperson sollte die Bewegung des Stuhls steuern, während der Verschlusshebel arretiert ist. Wie viel Unterstützung dazu benötigt wird, hängt von der Größe und dem Gewicht des Benutzers ab. Wir empfehlen, diesen Vorgang beim ersten Gebrauch erst zu üben, bevor der Patient in den Stuhl gesetzt wird.



11.0 Faltpbarer Schiebegriff

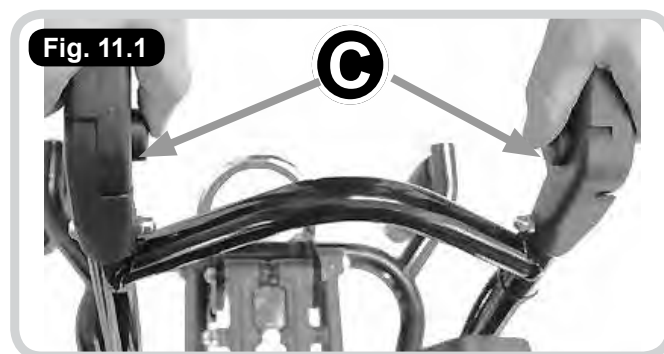
Mehrfach höhen- und neigungsverstellbares Fahrgestell (Fig. 11.1 - 11.2)

Schieben Sie den Stuhl nur mit den Schiebegriffen. Wenn der Schiebegriff nicht benötigt wird, sollte er nach unten geklappt werden.

Drücken Sie die beiden Knöpfe (C) an den Innenseiten der Griffe.

Ändern Sie die Position des Griffs von Hand, indem Sie den oberen Teil nach unten drücken.

Zum Ausklappen den Griff nach oben ziehen, bis er mit einem Klickgeräusch einrastet.



12.0 Verstellen des 5-Sterne-Fahrgestells

WARNING!

Vergewissern Sie sich immer, dass das Fahrgestell stabil steht und die Bremsen festgestellt sind, bevor Sie die folgenden Einstellungen vornehmen.

Siehe Fig. 12.1.

So stellen Sie den Stuhl höher

An der Rückseite des Stuhls befindet sich unter dem Fahrgestell ein Griff (A). Drücken Sie ihn mehrmals nach unten, um den Stuhl höher zu stellen.

Die Sitzhöhe wird erhöht. Je nach dem Körpergewicht des Benutzers kann dazu zusätzliche Unterstützung erforderlich sein.

Wenn die gewünschte Höhe erreicht ist, lassen Sie den Griff wieder los.

So stellen Sie den Stuhl niedriger (Fig. 9.8)

Verwenden Sie dazu wieder den Griff (A). Doch drücken Sie dieses Mal mit einer Hand den Sitz nach unten, während Sie den Griff (A) mit der anderen Hand nach unten drücken.

VORSICHT!

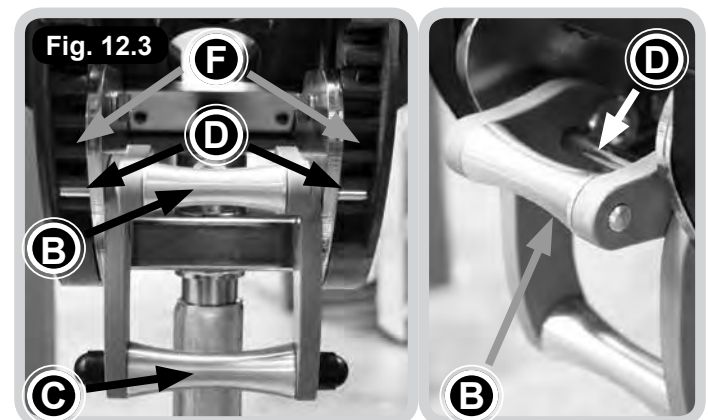
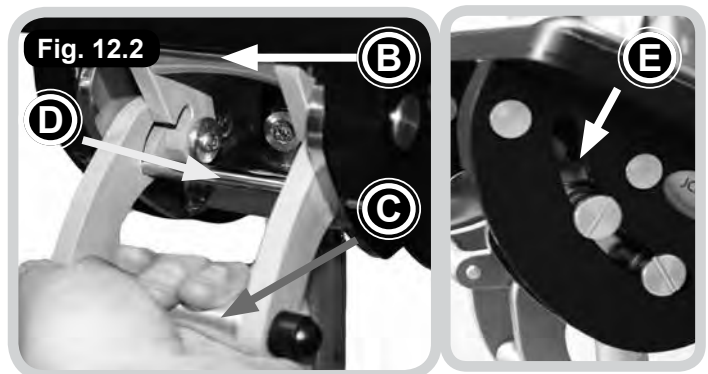
Wenn Sie das nicht alles gleichzeitig allein durchführen können, bitten Sie jemanden um Hilfe.



Sitzneigungsverstellung am 5-Sterne-Fahrgestell

Siehe Fig. 12.2 - 12.3

- Heben Sie den Sicherheitsverschluss (B) an, um das Fahrgestell auf die Sitzneigungsverstellung vorzubereiten.
- Heben Sie die Betriebssperre (C) bis zum Anschlag an und entriegeln Sie die Stange (D).
- Neigen Sie die Schnittstelle mit dem Fahrgestell auf den gewünschten Winkel. Der Einstellbereich ist über die Nut an der Seite des Sitzgestells ersichtlich. Wenn der gewünschte Winkel erreicht ist: Schließen Sie die Betriebssperre (C), indem Sie diese nach unten drücken, bis die Stange (D) sicher in eine Einstellposition in der Nut (F) einrastet.
- Drücken Sie die Betriebssperre (B) nach unten, um die versehentliche Betätigung der Sitzneigungsverstellung zu verhindern.
- Vergewissern Sie sich immer, dass die Stange (D) fest in der Nut an der Betriebssperre (B) sitzt, um den Sitz zu sichern.



13.0 Rückenverstellung

Siehe Fig. 13.1 - 13.2

Rückenwinkelverstellung

- Drücken Sie die Hebel (A) hinten unten am Stuhl zusammen. Dadurch werden sie aus der Halteposition in den Löchern (B) gelöst.
- Halten Sie die Hebel zusammengedrückt und verstellen Sie den Winkel über den Druck am Rücken oben, bis die gewünschte Position erreicht ist.
- Lassen Sie die Hebel wieder in die entsprechenden Positionierungslöcher (B) einrasten, um den Rücken zu arretieren.
- Achten Sie vor dem Gebrauch des Stuhls immer darauf, dass der Rücken gesichert ist, also die Sicherungsbolzen fest in den Löchern eingerastet sind.

Verstellen der Rückenhöhe

- Nehmen Sie das Rückenkissen ab, welches mit Druckknöpfen befestigt ist.
- Lockern Sie die zwei Inbusschrauben (A) an der Rückenverkleidung aus Kunststoff.
- Verschieben Sie die Rückenverkleidung aus Kunststoff bis zur gewünschten Höhe nach oben oder unten.
- Ziehen Sie die zwei Inbusschrauben fest an.
- Bringen Sie das Rückenkissen wieder an.

Fig. 13.1

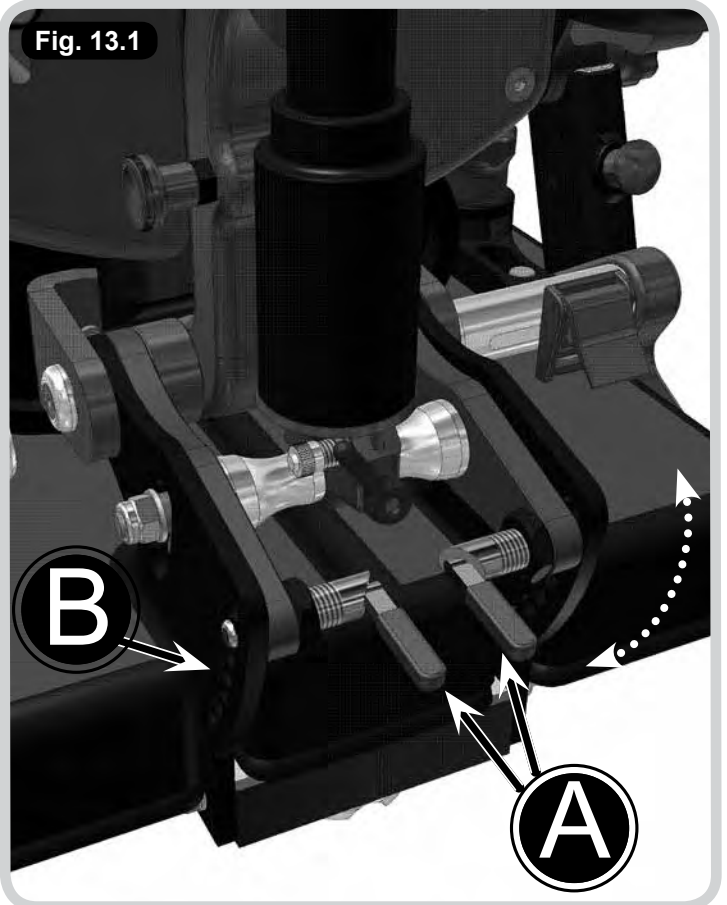
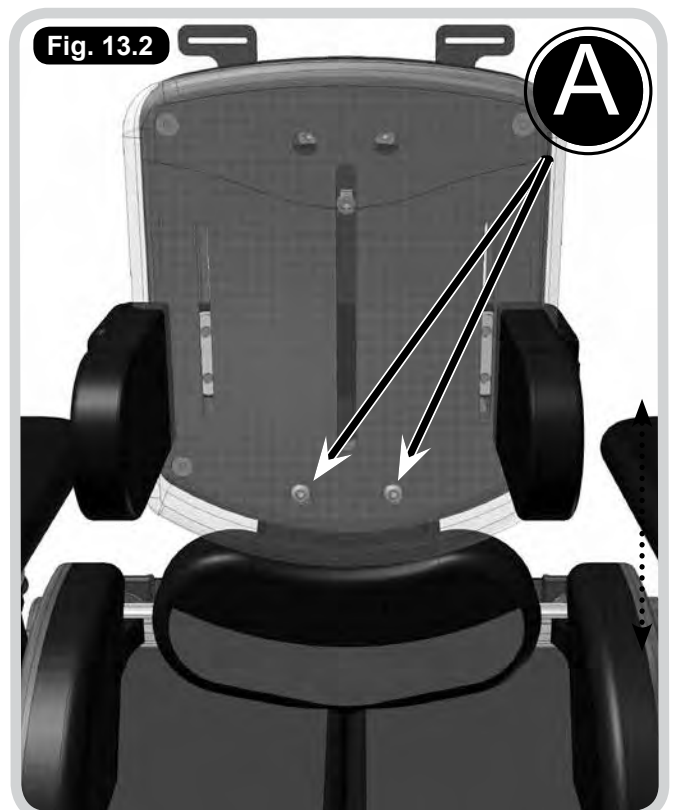


Fig. 13.2



14.0 Einstellen der Sitztiefe

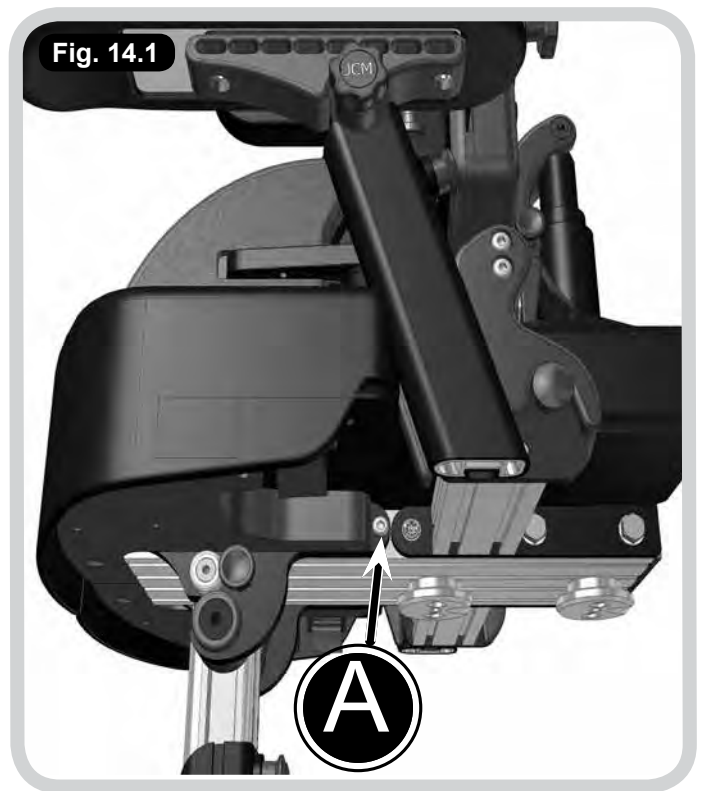
Verstellen der Sitztiefe (Fig. 14.1)

WARNUNG!

- Wenn das Sitzsystem erstmals auf ein Fahrgestell montiert wird oder wenn die Größe des Systems angepasst wurde, muss vor dem Gebrauch der Ausrüstung eine Stabilitätsbeurteilung durchgeführt werden.
- Achten Sie nach dem Einstellen der Sitztiefe immer darauf, dass diese Punkte gut befestigt sind und bei der Wartung des Stuhls überprüft werden.

HINWEIS: Der Pluton Sitz ist in 2 Hälften unterteilt (links + rechts). Gehen Sie wie folgt vor, um die Sitztiefe für den Benutzer einzustellen. Wenn die Beine des Benutzers unterschiedlich lang sind, können Sie beide Seiten des Sitzes an einem beliebigen Punkt innerhalb des Bereichs (150 mm) verstellen und arretieren.

- Lockern Sie die Innensechskantschrauben (A) (nicht abnehmen!) an beiden Seiten des Sitzes.
- Zum Verstellen der Länge den Sitz nach vorne oder hinten verschieben.
- Arretieren Sie die Position, indem Sie die Innensechskantschrauben fest anziehen.



15.0 Anbringen des Therapietisches

GEFAHR!

- Bevor Sie den Benutzer unbeaufsichtigt lassen, vergewissern Sie sich immer, dass die Armlehnen arretiert sind und der Therapietisch gesichert ist.
- Lassen Sie nichts Heißes auf dem Therapietisch stehen, wenn der Patient unbeaufsichtigt ist.

Einbauanleitung für den Therapietisch (Fig. 15.1 - 15.2)

HINWEIS: Zum Einbau eines Therapietisches sind Armlehnen (optionales Zubehör) erforderlich.

- Heben Sie den Therapietisch von vorne an und halten Sie ihn so, dass die Fingerspitzen an den Ziehverschlüssen an beiden Seiten des Therapietisches anliegen.
- Legen Sie den Therapietisch auf die Armlehnen und schieben Sie den Therapietisch zum Benutzer hin, bis die gewünschte Position erreicht ist.
- Lösen Sie die gespannten Verschlüsse, um sie in die gewünschte Position C einrasten zu lassen. Achten Sie darauf, dass die Verriegelung an der Unterseite der Armlehne gut arretieren.
- Achten Sie vor dem Gebrauch des Stuhls darauf, dass der linke und der rechte Verschluss eingerastet sind und der Therapietisch gesichert ist.

Fig. 15.1

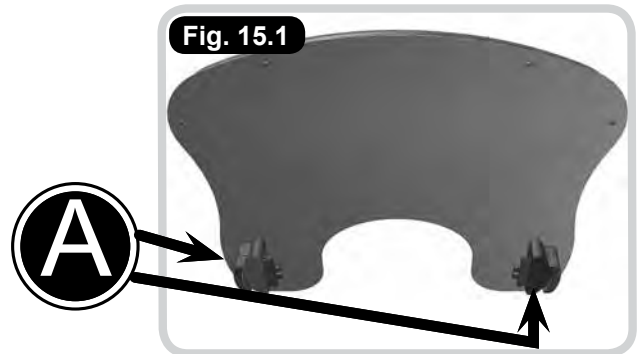
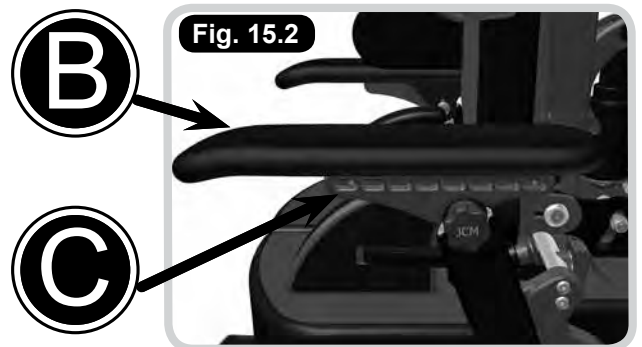


Fig. 15.2



16.0 Verstellen der Polster

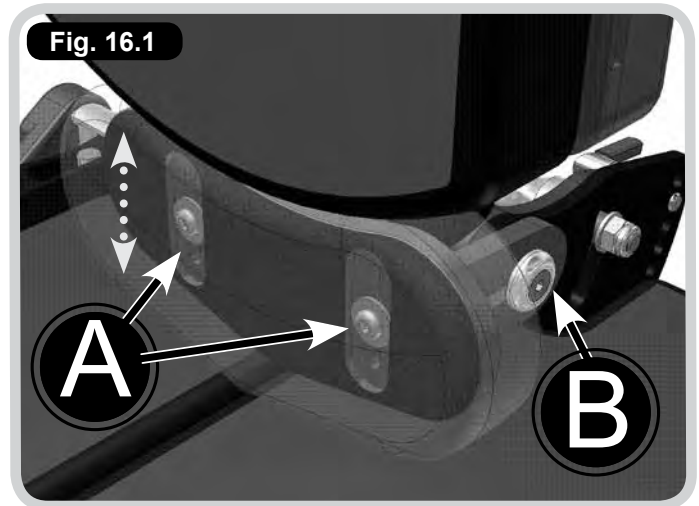
Verstellen des Kreuzbeinpolsters (Fig. 16.1)

Polsterhöhe

- Ziehen Sie das Polster vom Rahmen ab
- Lockern Sie die 2 Innensechskantschrauben (A) an beiden Seiten des Kreuzbeinpolsters.
- Verschieben Sie das Polster im Langloch nach oben oder unten.
- Wenn die gewünschte Position erreicht ist, ziehen Sie die Schrauben an, um das Polster zu sichern.

Polsterwinkel + -tiefe

- Lockern Sie die Feststellschraube B mit dem mitgelieferten 4 mm Inbusschlüssel um eine ganze Umdrehung. Achten Sie darauf, dass dies für die Befestigungsteile links und rechts durchgeführt wird.
- Das Kreuzbeinpolster kann jetzt zum Einstellen des Winkels nach vorne und hinten verschoben werden.
- Wählen Sie die gewünschte Position und ziehen Sie dann Feststellschrauben wieder an, um das Polster zu sichern.
- Hinweis: Das Kreuzbeinpolster kann auch leicht gedreht werden – Dazu müssen Sie die Position vorne und hinten, links und rechts unabhängig voneinander einstellen.



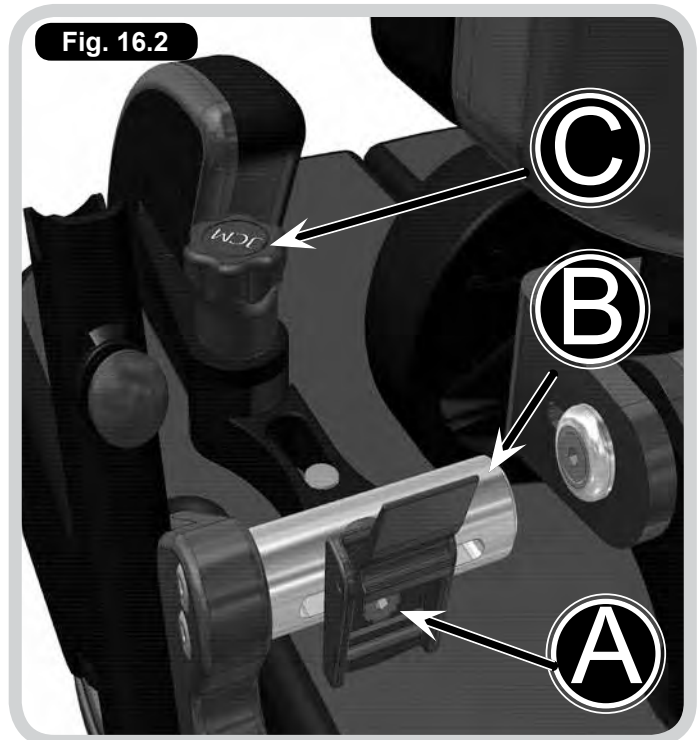
Verstellen des Hüftpolsters (Fig. 16.2)

Breite des Hüftpolsters

- Lockern Sie die Feststellschraube A mit dem mitgelieferten 4 mm Inbusschlüssel um eine ganze Umdrehung.
- Das Hüftpolster kann jetzt entlang der Verstellchiene auf die Breite verschoben werden (B).
- Wählen Sie die gewünschte Position und ziehen Sie dann die Feststellschraube wieder an, um das Polster zu sichern.

Hüftpolsterwinkel (falls eingebaut)

- Lösen Sie zum Verstellen des Polsterwinkels das Handrad (C), indem Sie es zwei Umdrehungen im Gegenuhrzeigersinn drehen.
- Wenn die Polster entriegelt sind, können sie positioniert werden: Drücken Sie dazu das Handrad mit einer Hand nach unten, während Sie mit der anderen Hand den Winkel des Polsters verstellen.
- Wenn die gewünschte Position erreicht ist, lassen Sie das Handrad los und drehen Sie es von Hand im Uhrzeigersinn, bis es wieder arretiert ist.



⚠ VORSICHT!

Polsterwinkel – Sie können das Polster auch positionieren, ohne dass Sie das Handrad nach unten drücken. Dadurch kann aber die Lebensdauer des Verriegelungsmechanismus verkürzt werden und es wird daher nicht empfohlen.

Verstellen des Oberschenkelpolsters (Fig. 16.3 - 16.5)

Mit diesen Polstern können Sie den Patienten in eine abduzierte Position setzen, das kann zur Reduzierung des Muskeltonus beitragen, eine breitere Sitzfläche schaffen und die Hüften in einer guten Position halten.

Anbringen und Verstellen des inneren Oberschenkelpolsters

- Zum Anbringen der inneren Oberschenkelpolster müssen die Schrauben A mit den Unterlegscheiben B durch die Trägerplatte und in die dafür vorgesehenen Löcher an der Unterseite der Sitzeinheit gesteckt werden.
- Ziehen Sie alle Schrauben mit dem mitgelieferten 4 mm Inbusschlüssel an.
- Wenn die Schrauben halten (aber noch nicht ganz angezogen sind), können Sie die weitere Einstellung vornehmen.

Beine abduzieren

- So lange die Schrauben A noch gelockert sind, drehen Sie das innere Oberschenkelpolster auf die gewünschte Position.
- Wenn das erreicht ist, ziehen Sie mit dem mitgelieferten 4 mm Inbusschlüssel alle Schrauben ganz an.

Inneres Oberschenkelpolster nach unten schwenken (um das Umsteigen zu erleichtern)

- Halten Sie Knopf C gedrückt, während Sie das innere Oberschenkelpolster nach unten schwenken.
- Um das innere Oberschenkelpolster wieder anzubringen, schwenken Sie es einfach wieder nach oben, bis es einrastet.

Anbringen und Verstellen des äußeren Oberschenkelpolsters

- Zum Anbringen der äußeren Oberschenkelpolster müssen die Schrauben A mit den Unterlegscheiben B durch die Metalladduktoren-Halterung und in die dafür vorgesehenen Löcher an der Trägerplatte aus Kunststoff gesteckt werden.
- Ziehen Sie alle Schrauben mit dem mitgelieferten 4 mm Inbusschlüssel an.
- Wenn die Schrauben halten (aber noch nicht ganz angezogen sind), können Sie die weitere Einstellung vornehmen.

Adduktion der Beine / Einstellen der Führungsbreite

- So lange die Schrauben A noch gelockert sind, schieben Sie das äußere Oberschenkelpolster im Langloch auf die gewünschte Position.
- Wenn das erreicht ist, ziehen Sie mit dem mitgelieferten 4 mm Inbusschlüssel alle Schrauben ganz an.



Fig. 16.3

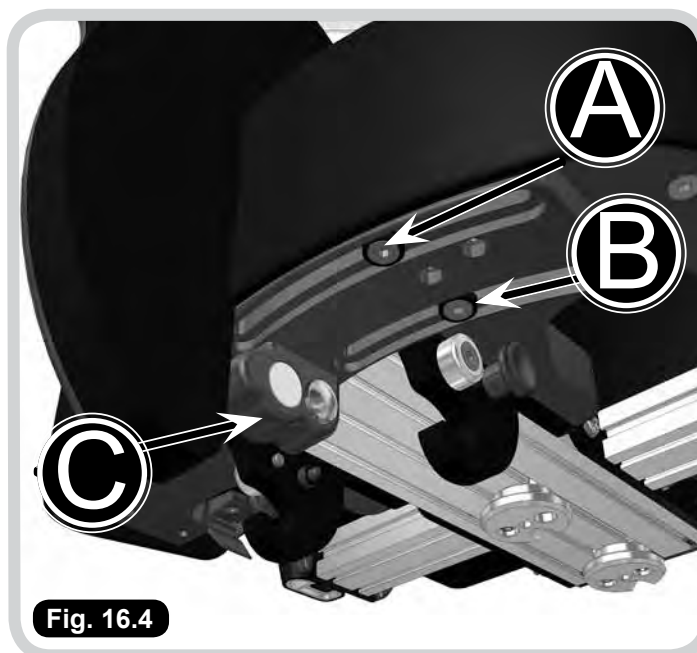


Fig. 16.4

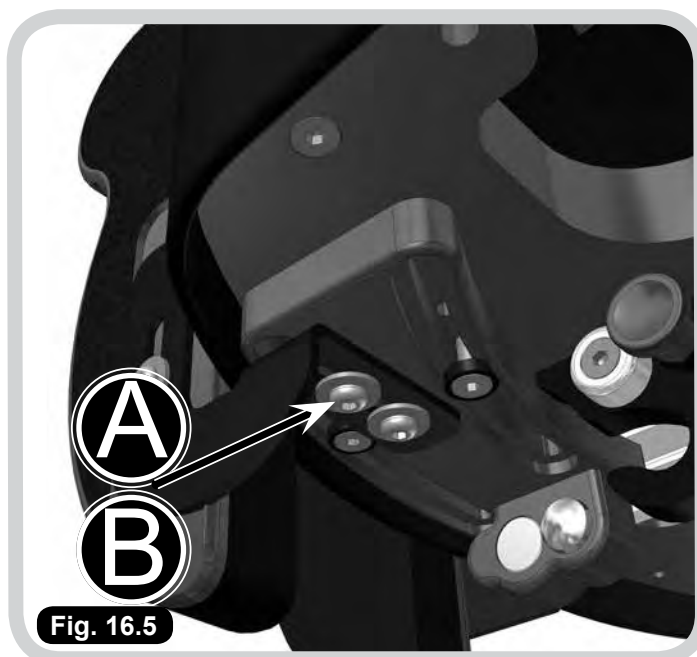


Fig. 16.5

17.0 Verstellen der Kopfstütze

Winkel des seitlichen Polster verstellen

Mit dem Einstellungspunkt können Sie die Position der seitlichen Polster ändern, damit der Kopf besser abgestützt wird. Mit diesem Einstellungspunkt können Sie den Winkel der Kopfstütze so ändern, dass der Kopf und der Nacken abgestützt werden.

- Öffnen Sie den Reißverschluss hinten am Kopfstützenbezug und lösen Sie den Verschlusshebel (A).
- Stellen Sie die seitlichen Polster der Kopfstütze auf die gewünschte Position ein.
- Wenn die gewünschte Position erreicht ist, ziehen Sie die Schrauben an, um die Position zu sichern.

Führen Sie diese Einstellung auf beiden Seiten der Kopfstütze durch.

Kopfstützenwinkel verstellen

- Die Hebel (B) sollten gleichzeitig betätigt werden, um die gewünschte Kopfpositionierung des Benutzers zu erreichen. Lösen Sie die Hebel, indem Sie diesen gegen den Uhrzeigersinn drehen.
- Wenn sie gelöst sind, kann der Winkel der Kopfstütze manuell auf die Bedürfnisse des Benutzers eingestellt werden.
- Stellen Sie die Hebel fest, um die Kopfstütze zu sichern.

Höhe der Kopfstütze verstellen

- Lockern Sie das Handrad (C)
- Verschieben Sie die Kopfstütze in der Halterung an der Rückseite des Stuhls nach oben oder unten.
- Drehen Sie das Handrad wieder zu, um die Kopfstütze zu sichern.

WARNUNG!

Überprüfen Sie immer, dass die Kopfstütze gesichert ist und dass die Seitenpolster nicht zu nah am Kopf anliegen. Die Seitenteile an der Kopfstütze sollten möglichst auf einen Winkel von 45 Grad zum Rücken eingestellt werden.

18.0 Verstellen der Pelotten

Höhe + Breite der Stützen

- Lockern Sie beide Schrauben (A) mit dem mitgelieferten 4 mm Inbusschlüssel um eine halbe Umdrehung.
- Verschieben Sie die Polster im Langloch an der Rückseite des Sitzes (B) nach oben oder nach unten, um die Höhe zu verstellen.
- Verschieben Sie die Polster in der Horizontalen, um die Breite zu verstellen.
- Ziehen Sie Innensechskantschrauben wieder an, um die Polster zu sichern.

Fig. 17.1

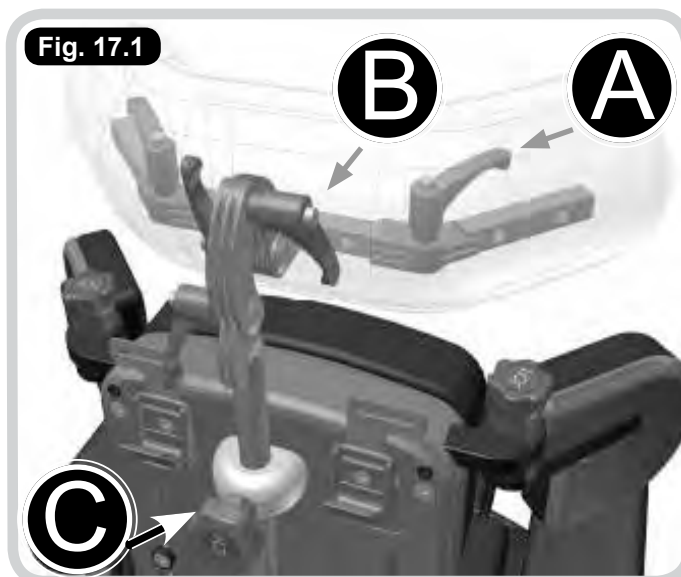
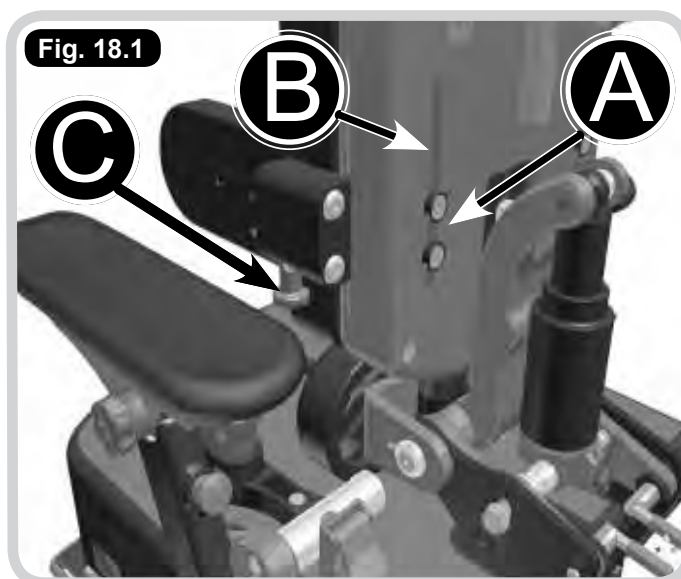


Fig. 18.1



Wegschwenkfunktion (falls eingebaut)

- Ziehen Sie den Sicherungsbolzen (C) nach unten.
- Schwenken Sie die Stützen weg, um das Umsteigen oder das Einrichten zu erleichtern.
- Wenn geändert, schieben Sie die Stützen wieder hinein, bis diese einrastet.

WARNUNG!

Überprüfen Sie, dass die Stützen nicht zu hoch unter den Armen des Benutzers oder zu eng im Brustbereich sitzen. Lassen Sie dazu Ihre Finger an der Innenseite der Stützen entlang fahren. Überprüfen Sie, dass die Stützen keine Magensonde - falls vorhanden - behindern.

19.0 Verstellen der Armlehnen

Einstellen der Armlehnenhöhe

- (A) bezeichnet den Sicherungsbolzen, der zum Einstellen der Armlehnenhöhe und damit auch zum Einstellen der Höhe des Therapietisches verwendet wird.
- Ziehen Sie den Sicherungsbolzen (A) nach außen von der Armlehne weg und verschieben Sie die Armlehne nach oben oder unten, während Sie den Bolzen geöffnet halten. Wählen Sie eines der Löcher, die sichtbar werden, wenn Sie die Armlehne aus der niedrigsten Stellung anheben.
- Wenn die gewünschte Position erreicht ist, arretieren Sie die Armlehne, indem Sie den Hebel loslassen und achten Sie darauf, dass sie wieder ganz einrastet.

Verstellen des Armlehnenwinkels

- Lösen Sie zum Verstellen des Armlehnenwinkels das Handrad (B), indem Sie es zwei Umdrehungen gegen den Uhrzeigersinn drehen.
- Wenn die Armlehnen entriegelt sind, können sie positioniert werden: Drücken Sie dazu das Handrad mit einer Hand nach unten, während Sie mit der anderen Hand den Winkel verstellen.
- Wenn die gewünschte Position erreicht ist, lassen Sie das Handrad los und drehen Sie es von Hand im Uhrzeigersinn, bis es wieder arretiert ist.

VORSICHT!

Der Sicherungsbolzen (A) sollte sich ohne Widerstand herausziehen lassen. Ist ein Widerstand spürbar, vergewissern Sie sich, dass kein Gewicht die Armlehne belastet.

Abnehmen der Armlehne

(erleichtert das Umsteigen von der Seite)

- Um die Armlehnen (mit dem daran befestigten Hüftpolster) ganz abzunehmen, ziehen Sie den Sicherungsbolzen (C) nach außen und halten Sie diesen mit einer Hand in der Position. Heben Sie die komplette Armlehne mit Ihrer anderen Hand vom Sitz ab.
- Um sie wieder anzubringen, gehen Sie in der umgekehrten Reihenfolge vor: Setzen Sie die komplette Armlehne wieder auf die Befestigungsplatte (D), halten Sie den Bolzen geöffnet, damit er ganz einrasten kann, bevor Sie den Sicherungsbolzen loslassen und die Armlehne wieder arretieren.

Fig. 19.1

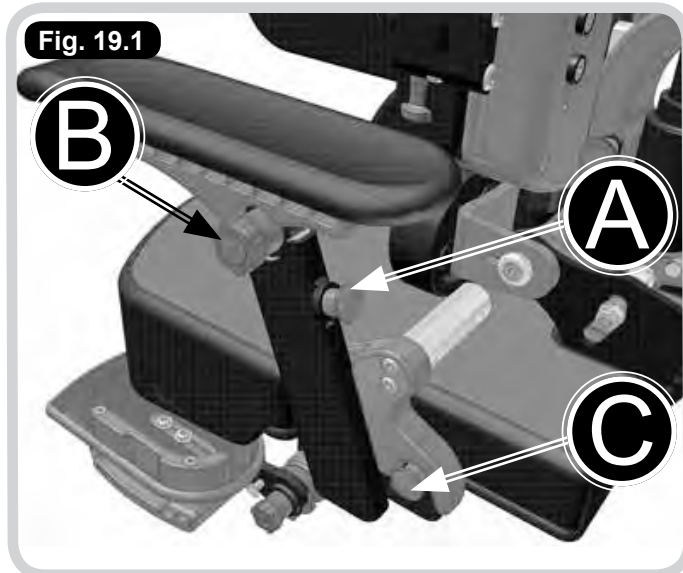
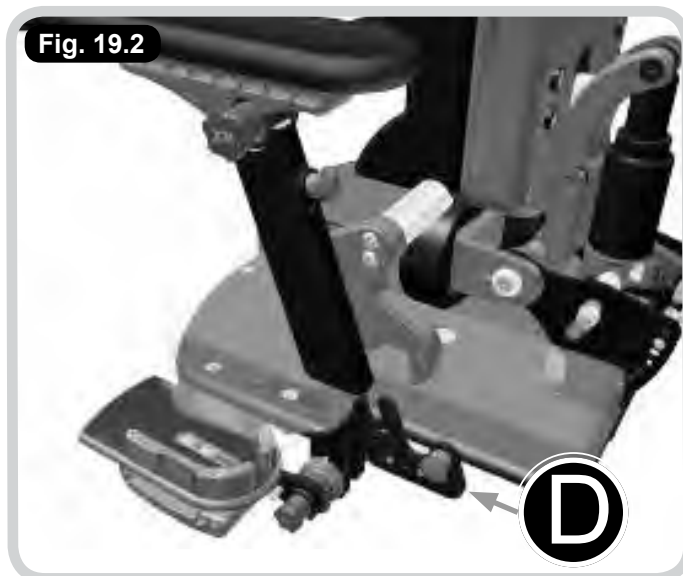


Fig. 19.2



WARNUNG!

Achten Sie vor dem Gebrauch des Stuhls immer darauf, dass die Armlehnen sicher befestigt sind.

VORSICHT!

Armlehnenwinkel – Sie können die Armlehne auch positionieren, ohne dass Sie das Handrad nach unten drücken. Dadurch kann sich aber die Lebensdauer des Verriegelungsmechanismus verkürzt und es wird daher nicht empfohlen.

20.0 Verstellen/Abnehmen der Fußrasten

Geteilte Option:

HINWEIS: Wenn geteilte Fußbrettrohre/Fußbretter angebaut sind, können die Winkel für das linke und das rechte Fußbrettrohr unabhängig voneinander verstellt werden. Beachten Sie dazu die Anleitung für beide Fußstützen unten.

Einstellen des Winkels

- Ziehen Sie den Sicherungsbolzen A heraus und halten Sie ihn mit einer Hand in dieser Stellung, bevor Sie den Fußrastenwinkel mit der anderen Hand auf den gewünschten Winkel einstellen.
- Wenn Sie die gewünschte Position erreicht haben, lassen Sie den Sicherungsbolzen los und arretieren Sie diesen in der nächsten verfügbaren Verriegelungsposition.
- Achten Sie darauf, dass die Sicherungsbolzen sicher arretieren.

Abnehmen des Fußrastenrohrs

Erleichtert das Umsteigen im Stehen.

HINWEIS: Das Abnehmen der Fußstützen kann auch beim Verpacken für den Transport hilfreich sein; oder wenn der Sitz auf einem Fahrgestell mit integriertem Fußbrett verwendet wird.

- Um die Fußrastenrohr (mit der daran befestigten Fußauflage), ganz abzunehmen, entfernen Sie den Sicherheitsring B mit dem mitgelieferten 4 mm Inbusschlüssel.
- Wenn diese entfernt sind, ziehen Sie den Sicherungsbolzen A heraus und halten Sie ihn mit einer Hand in dieser Stellung, während Sie das Fußbrettrohr mit der anderen Hand drehen und ganz von der Hauptsitzeinheit abziehen.
- Um sie wieder anzubringen, gehen Sie in der umgekehrten Reihenfolge vor: Hängen Sie das Fußbrettrohr in der vorgesehenen Position C ein. Halten Sie den Bolzen geöffnet, damit es ganz einrasten kann, bevor Sie den Sicherungsbolzen loslassen und das Fußbrettrohr wieder arretieren.
- Bringen Sie zum Abschluss den Sicherheitsring wieder mit dem mitgelieferten 4 mm Inbusschlüssel an.

Fig. 20.1

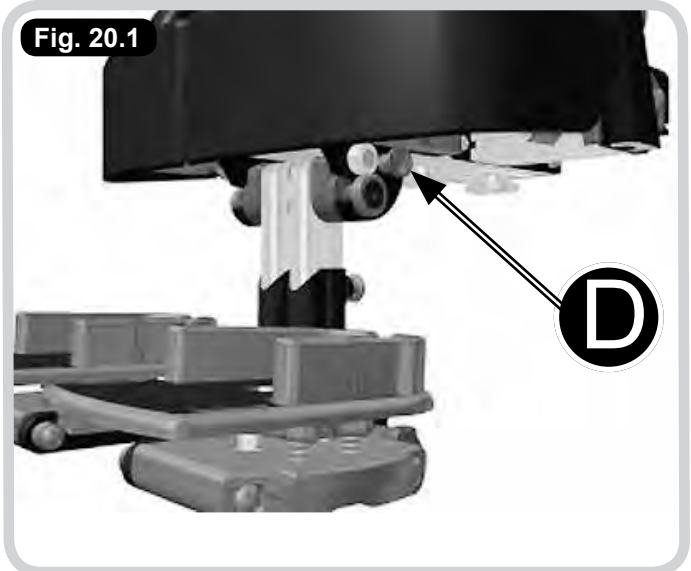
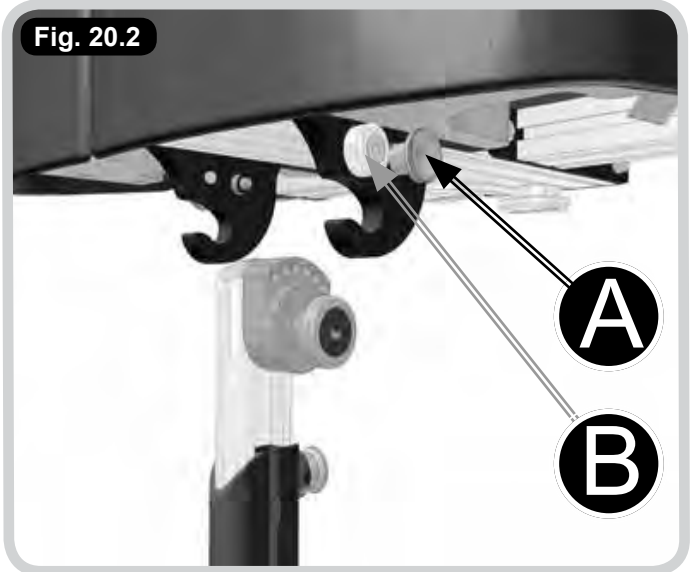


Fig. 20.2



21.0 Verstellen der Fußposition

Winkel des Fußbretts verstellen

- Lösen Sie zum Verstellen des Fußbrettwinkels das Handrad A, indem Sie es zwei Umdrehungen gegen den Uhrzeigersinn drehen.
- Wenn das Fußbrett entriegelt ist, kann es positioniert werden: Drücken Sie dazu das Handrad mit einer Hand nach unten, während Sie mit der anderen Hand den Winkel verstellen.

Wenn die gewünschte Position erreicht ist, lassen Sie das Handrad los und drehen Sie es im Uhrzeigersinn, bis es wieder arretiert ist.

Fußbrett hochklappen

Erleichtert das Umsteigen im Stehen.

- Drücken Sie Knopf B mit einer Hand und klappen Sie das Fußbrett mit der anderen Hand hoch.
- Um es wieder herunterzuklappen, drehen Sie einfach das Fußbrett nach unten, bis es wieder einrastet.

Höhe des Fußbretts

- Ziehen und halten Sie den Sicherungsbolzen C geöffnet, während Sie das Fußbrett mit der anderen Hand festhalten.
- Wenn das Fußbrettrohr entriegelt ist, sollte es sich am Fußrastenrohr nach oben und unten verschieben lassen.
- Verschieben Sie es auf die gewünschte Position, bevor Sie den Sicherungsbolzen loslassen, damit er in das nächstgelegene Loch einrastet.
- Vergewissern Sie sich vor dem Gebrauch des Stuhls, dass der Sicherungsbolzen ganz eingerastet ist.

Positionierung der Fußschale

HINWEIS: Die Fußschale/das Fußbrett kann auf die Größe des Fußes, auf die Position (Abstand zwischen den Füßen) und dem Fußwinkel (in Kombination mit Ab-/Adduktion) eingestellt werden. Alle diese Verstellungen sind wie folgt beschrieben möglich.

Fußgröße

- Die Feststellschrauben (D) mit dem mitgelieferten 4 mm Inbusschlüssel um eine halbe Umdrehung im Uhrzeigersinn drehen.
- Verschieben Sie den Fersenanschlag, um den verfügbaren Platz für den Fuß schmaler oder breiter zu machen.
- Wiederholen Sie das bei Bedarf für den anderen Fersenanschlag, bevor Sie die Feststellschraube D wieder anziehen, um ihn zu sichern.

Fig. 21.1

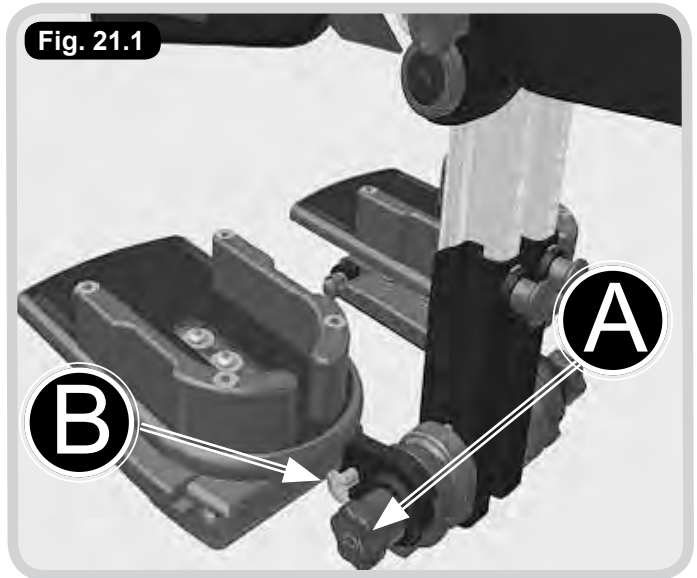
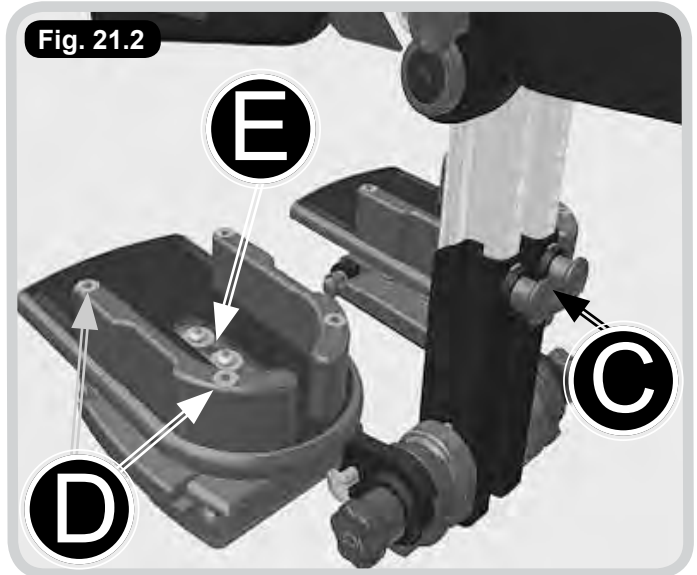


Fig. 21.2



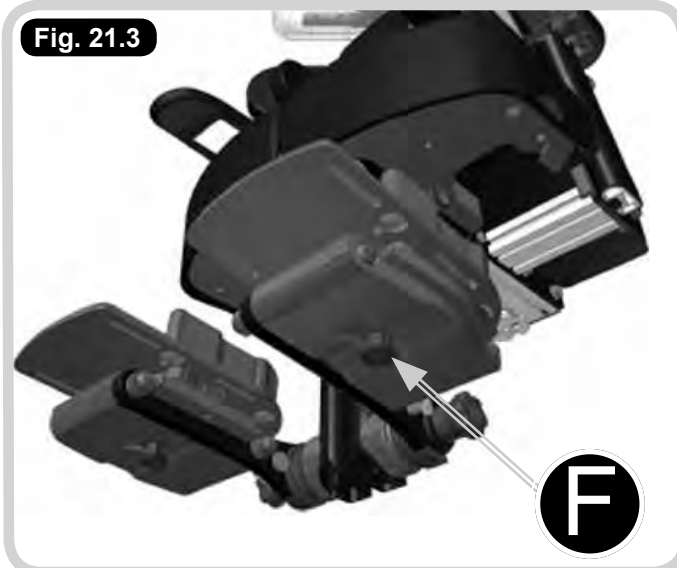
Nach vorne und hinten, Drehung

- Drehen Sie die Feststellschrauben E mit dem mitgelieferten 4 mm Inbusschlüssel um eine halbe Umdrehung gegen den Uhrzeigersinn.
- Verschieben Sie die komplette Fußschale nach vorne oder hinten, während Sie gleichzeitig die Drehung des Bretts einstellen.
- Wenn die gewünschte Position erreicht ist, ziehen Sie die Feststellschrauben wieder an.

Verstellen von links nach rechts/der Breite

- Ziehen und halten Sie den Sicherungsbolzen F geöffnet, während Sie das Fußbrett mit der anderen Hand festhalten.
- Wenn der Fußrastenhalter entriegelt ist, sollte es sich am Fußrastenrohr nach links und rechts verschieben lassen und dadurch die Füße näher zusammen oder weiter auseinander bringen.
- Wenn Sie die gewünschte Position erreicht haben, lassen Sie den Sicherungsbolzen los, damit er in das nächstgelegene Loch einrastet.
- Vergewissern Sie sich vor dem Gebrauch des Stuhls, dass der Sicherungsbolzen richtig eingerastet ist.

Fig. 21.3



Fußriemen

Fußriemen oder Knöchelstützen können durch die Löcher in der Fußschale befestigt werden, um die Füße zu sichern. Führen Sie den Riemen durch die Schnalle und schließen Sie die Schnalle, um diese zu sichern.

WARNUNG!

Fußriemen nur verwenden, wenn der Patient Schuhe trägt.

VORSICHT!

- Der Sicherungsbolzen C sollte sich ohne Widerstand herausziehen lassen. Ist ein Widerstand spürbar, vergewissern Sie sich, dass kein Gewicht die Fußraste belastet.
- Fußbrettwinkel – Sie können das Fußbrett auch positionieren, ohne dass Sie das Handrad nach unten drücken. Dadurch kann aber die Lebensdauer des Verriegelungsmechanismus verkürzt werden und es wird daher nicht empfohlen.

22.0 Einstellen des dynamischen Rückens

GEFAHR!

- Modifizieren Sie die Schwingungsdämpfung nicht. Durch Modifizierung, unsachgemäße Wartung oder die Verwendung von anderen Ersatzteilen als Sunrise Medical wird die Garantie ungültig und es könnte eine Fehlfunktion auftreten, welche Verletzungen zur Folge hat.
- Halten Sie den Wartungsplan ein! Wenn am Schwingungsdämpfer eine Fehlfunktion auftritt – z. B. das Auslaufen von Öl, ungewöhnliche Geräusche oder wenn Teile verbogen oder kaputt sind – verwenden Sie das Sitzsystems nicht mehr und wenden Sie für weitere Unterstützung an Sunrise Medical.
- Öffnen oder demontieren Sie die Schwingungsdämpfer keinesfalls. Das Öffnen der Schwingungsdämpfer kann schwere Verletzungen zur Folge haben.

Einstellen des Widerstandes und der Rückstellkraft

Um die optimale Leistung und Komfort zu gewährleisten, muss die Widerstands- und die Rückstellkraft des dynamischen Mechanismus eingestellt werden (A). Der Widerstand wird durch die Veränderung des Luftdrucks eingestellt und sollte auf das Körpergewicht, die Sitzposition, die Sitzkonstruktion und auf die persönlichen Vorlieben des Benutzers abgestimmt werden.

Der Luftdruck wird mit einer Dämpferpumpe mit einem normalen Autoventil (Schrader-Ventil) (B) am Hauptventil des dynamischen Dämpfers angepasst.

Starker Widerstand:

Luftdruck erhöhen

Es ist schwieriger, das Dämpfungssystem während des Gebrauchs zusammenzudrücken. Der Rücken des Sitzes fühlt sich härter an, wenn man dagegen drückt.

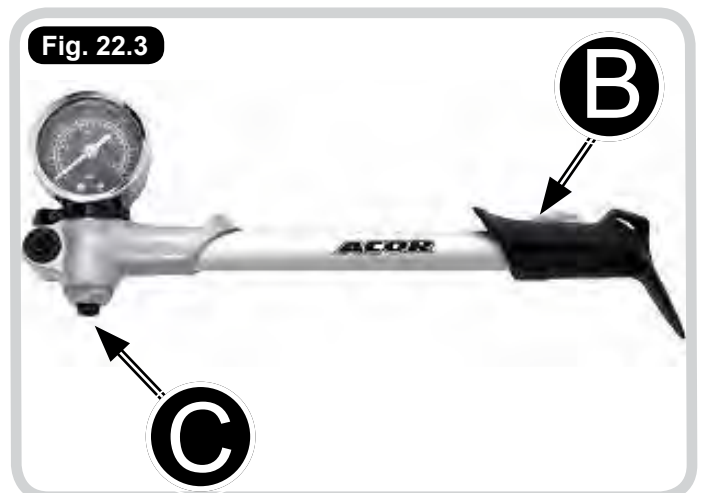
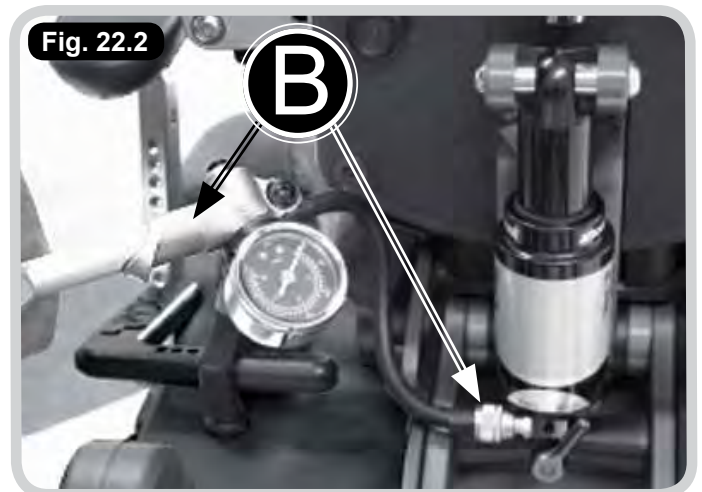
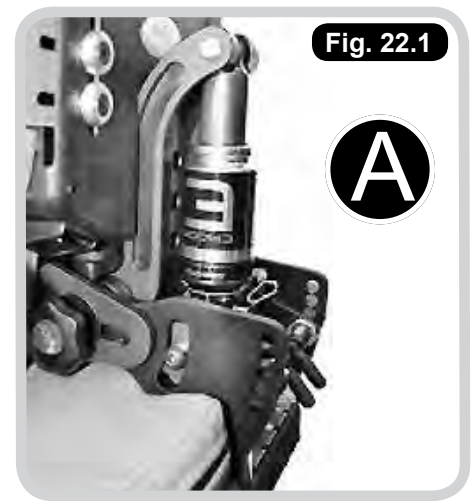
- Schrauben Sie die Pumpe auf das Ventil an der Rückseite des dynamischen Dämpfers (B).
- Pumpen Sie Luft in das Ventil, um den Luftdruck zu erhöhen.
- Beobachten Sie die Druckanzeige an der Pumpe, um abzulesen, um wie viel der Druck erhöht wird.

Schwacher Widerstand:

Luftdruck verringern

Damit lässt sich die Dämpfung leichter zusammendrücken. Der Rücken des Sitzes fühlt sich weicher an, wenn man dagegen drückt.

- Schrauben Sie die Pumpe auf das Ventil. Drücken Sie den Knopf (C) an der Pumpe und halten Sie ihn gedrückt, bis der Luftdruck den gewünschten Wert erreicht.



GEFAHR!

- Der Druckbereich beträgt 50 - 250 psi.
- In einem nicht belasteten Dämpfung den Luftdruck von 250 psi nie überschreiten.
- Die Überschreitung des maximalen Luftdrucks von 250 psi könnte zu schweren Verletzungen führen.

Rückstellkraft einstellen

Die Rückstellkraft regelt die Geschwindigkeit, mit der das Dämpfungssystem den Druck mindert oder sich in die Grundstellung zurücksetzt. Die benötigte Rückstellkraft hängt vom Gewicht des Benutzers, von der Federrate (welche vom Luftdruck bestimmt wird), der Beanspruchung, vom Sitzverhalten und von den persönlichen Vorlieben ab.

Am besten gehen Sie zum Einstellen der Rückstellkraft wie folgt vor: Stellen das Stellrad auf die niedrigste Einstellung, indem Sie das rote Rad (D) im Uhrzeigersinn (gekennzeichnet mit „Slow“, „E“) drehen und den Benutzer bitten, sich für den Test in den Sitz zu setzen. Erhöhen Sie die Dämpfung, indem Sie das Rad langsam gegen den Uhrzeigersinn drehen (gekennzeichnet mit „fast“, „E“), bis es sich für den Benutzer bequem und sicher anfühlt, ohne dass die Federung den Benutzer zu weit nach vorne hebt.

Mechanismus deaktivieren

Gelegentlich, z.B. beim Essen etc. kann es erforderlich sein, den dynamischen Dämpfer zu deaktivieren. Das erledigen Sie wie folgt:

- Sperren Sie das System, indem Sie den Hebel am Dämpfungssystem (F) aus der Stellung „Open“ (geöffnet) in die Stellung „Locked“ (gesperrt) bringen.
- Der Mechanismus sollte beim normalen Gebrauch nicht in der Stellung 'Locked' belassen werden. Sie sollten darauf achten, dass der Mechanismus wieder auf 'Open' gestellt wird, sobald die Arretierung der Funktion nicht mehr benötigt wird.

Wartungsplan

Bei den hinteren Dämpfungssystemen ist nur eine minimale Wartung erforderlich, reinigen Sie das System mit Seifenwasser.

⚠ VORSICHT!

Verwenden Sie keinen Hochdruckreiniger oder unter Druck stehendes Wasser zur Reinigung der Schwingungsdämpfung, da dadurch Wasser in das System gelangen kann.

Vor jedem Gebrauch:

- Überprüfen Sie den Luftdruck (es ist normal, dass der Druck im Dämpfungssystem im Laufe der Zeit etwas abfällt) und ob dieser für den Patienten richtig eingestellt ist.
- Passen Sie die Rückstellkraft an, um sicherzustellen, dass sie für den Patienten richtig eingestellt ist.

Fig. 22.4

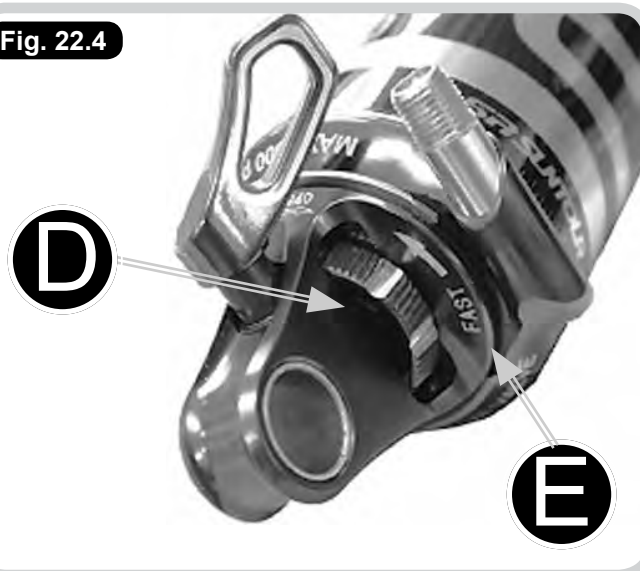


Fig. 22.5



⚠ WARNUNG!

- Die Wartungsarbeiten für das Innere des Dämpfungssystems dürfen nur von einem autorisierten Fachmann durchgeführt werden.
- Bitte beachten Sie, dass der hintere Sunrise Medical Dämpfer mit Öl und Stickstoff gefüllt ist. Es ist nicht möglich, den hinteren Dämpfer ohne die Kenntnisse und die Spezialwerkzeuge (die zur Durchführung dieser Aufgabe erforderlich sind) zu öffnen. Bitte versuchen Sie nicht, den hinteren Stoßdämpfer für Wartungsarbeiten zu öffnen, es besteht eine sehr hohe Verletzungsgefahr. Sie werden auch nicht in der Lage sein, den Dämpfer wieder zusammen zu bauen. Wenn der Dämpfer geöffnet wurde, entfällt die Garantie!
- Wenn an Ihrem hinteren Dämpfer ein Problem auftritt, stellen Sie den Gebrauch sofort ein und wenden Sie sich an Sunrise Medical.

23.0 Reinigung und Pflege

Wir empfehlen die folgenden Punkte für die erfolgreiche Reinigung Ihrer Ausrüstung:

HINWEIS: Nach diesen Vorgängen kann es zu einer leichten Faltenbildung an der Oberfläche kommen.

Pflege der Bezugstoffe

Beachten Sie dazu den separaten Leitfaden von Sunrise Medical zur Reinigung von Stoffen. Dieser Leitfaden ist als Druckschrift von Sunrise Medical erhältlich. Verwenden Sie keine Bleichmittel, biologische Mittel, säure- oder phenolhaltigen Reinigungsmittel.

Metallrahmen

- Wenn alle Bespannungen abgenommen wurden, kann der Metallrahmen mit warmem Seifenwasser, Reinigungsmittel oder einem Dampfreiniger gereinigt werden. (Nach der Dampfreinigung müssen eventuell die Aufkleber erneuert werden).
- Achten Sie darauf, dass der Rahmen nach der Reinigung gründlich abgetrocknet wird.
- Achten Sie immer darauf, dass alle beweglichen oder verstellbaren Teile nachgeschmiert werden.

24.0 Allgemeine Wartung

Allgemeine Wartungsarbeiten müssen von einer sachkundigen und qualifizierten Person durchgeführt werden, welche mit der Benutzung dieser Ausrüstung vertraut sind (siehe Garantie - Seite 33). Wenn niemand verfügbar ist, die diese Voraussetzungen erfüllt, muss ein Termin bei einer autorisierten Reparaturwerkstatt (siehe gegenüberliegende Seite) vereinbart werden. Damit die Garantie gültig bleibt, sollte die Person, welche die Wartung oder den Service durchführt, das Wartungsprotokoll im Serviceheft (Seite 32) ausfüllen.

Wie auf der gegenüberliegenden Seite ausgeführt, hängt die Häufigkeit der Wartung von verschiedenen Faktoren ab. Zusätzlich zu den in dieser Anleitung angegebenen spezifischen Warnungen zu den funktionellen Einstellungen ist darauf zu achten, dass in einem Abstand von maximal 6 Monaten Folgendes gründlich überprüft wird:

HINWEIS: Bitte beachten Sie die Wartungstabelle auf der nächsten Seite.

HINWEIS: Bei den hier angegebenen Punkten handelt es sich um allgemeine Punkte für das gesamte Lieferprogramm von Sunrise Medical, sie gelten nicht immer für alle Produkte.

Wartungstabelle

Lenkräder	Heben Sie das Fahrgestell an und überprüfen Sie die Räder einzeln auf Beschädigung, festen Sitz oder Abnutzung.
Bremsen	Entfernen Sie Fett oder Schmutz, die sich an den Rädern angesammelt haben und überprüfen Sie, ob die Bremsen die Räder beim Drehen blockieren. Überprüfen Sie, dass sie sicher befestigt sind und dass keine Anzeichen von Beschädigung oder Abnutzung vorliegen.
Schiebegriffe	Vergewissern Sie sich, dass die Griffe richtig funktionieren. Überprüfen Sie, ob Anzeichen von Beschädigung oder Abnutzung vorliegen. Vergewissern Sie sich, dass die Schiebegriffe fest sitzen.
Sitzneigungsmechanismus (TIS)	Lösen Sie die Verriegelung der Sitzneigung und überprüfen Sie, ob sie sich frei bewegt. Überprüfen Sie ebenfalls, ob Beschädigungen oder Abnutzungen an Mechanismus, Hebel oder Kabel vorliegen. Stellen Sie die Verriegelung fest und vergewissern Sie sich, dass der Sitzwinkel beibehalten wird.
Höhenverstellung des Fahrgestells	Drücken Sie bei entlastetem Sitz den Hebel und vergewissern Sie sich, dass er sich ungehindert auf die maximale Höhe bewegt. Belasten Sie den Sitz jetzt Schritt um Schritt bis zur Höchstlast (40, 60, 80 oder 100 kg). Danach überprüfen Sie (ca. 10 - 15 Minuten), dass sich der Sitz durch die Belastung nicht nach unten bewegt. Wenn dieser Test nicht durchgeführt werden kann, sollte als Mindestanforderung sofort nach der Wartungsprüfung die statische Position des Sitzes überwacht werden, während dem eine Person auf dem Sitzsystem positioniert ist. Drücken Sie bei belastetem Sitz den Hebel und vergewissern Sie sich, dass er sich ungehindert auf die niedrigste Position bewegt.
Sitz- / Rückenbespannung	Überprüfen Sie die Befestigungspunkte der Sitz- und Rückenbespannung auf festen Sitz. Überprüfen Sie, ob die Bezüge abgenutzt sind. Raue, abgenutzte Bespannungen können Beschwerden verursachen, sind schwer hygienisch zu halten und können zu Hautreizungen führen.
Schnittstelle	Überprüfen Sie, dass keine Beschädigung oder Abnutzung vorliegen. Vergewissern Sie sich, dass die Funktion die Sitzeinheit richtig sichert.
Rahmen Bei ordnungsgemäßer Wartung sollte der Rahmen eine problemlose Einsatzdauer von mindestens 5 Jahren haben. Sollte der Sitzrahmen stark genutzt werden, sollte die Funktionalität regelmäßiger geprüft werden.	Überprüfen Sie alle Metallteile, um sicherzustellen, dass keine Anzeichen von Beschädigung oder Abnutzung vorliegen. Achten Sie dabei besonders auf verstellbare und bewegliche Teile. Überprüfen Sie, dass an den Verbindungen und Schweißnähten keine Anzeichen von Beschädigung oder Abnutzung vorliegen. Überprüfen Sie alle Befestigungsteile, Schrauben, Muttern, federnd gelagerte Stifte und andere Vorrichtungen auf einen festen Sitz. Überprüfen Sie die Materialien auf Ermüdungserscheinungen und ersetzen Sie Teile, die Anzeichen von Abnutzung zeigen oder sich wiederholt lockern. VERANKERUNGSPUNKTE für den Transport (falls vorhanden) müssen überprüft werden, um die Sicherheit zu gewährleisten. Überprüfen Sie diese auf Anzeichen von Beschädigung und Abnutzung.
Ausstattungen	Überprüfen Sie die Armpolster und die Kopfstütze und ersetzen Sie diese, wenn sie abgenutzt sind.

Was sollte bei einem Service durchgeführt werden?

Ein Service ist eine umfassende Kombination aus Überprüfung, Wartung und Instandstellung. Abgenutzte, defekte oder fehlende Teile sollten ersetzt werden. Das Wachstum und die Bedürfnisse des Benutzers sollten bei der Durchführung der Servicearbeiten berücksichtigt werden. Das im Gegensatz zur allgemeinen Wartung (siehe gegenüberliegenden Seite), bei der nur einfache Überprüfungen, Inspektionen und Anpassungen durchgeführt und die nötigsten Arbeiten geplant werden.

Wie weiter, wenn ein Defekt festgestellt wird?

Wenn Defekte festgestellt werden, die eine Gefahr für den Benutzer oder den Bediener darstellen könnten, muss die Nutzung der Ausrüstung sofort eingestellt werden, bis das Produkt repariert ist.

Wer sollte den Service durchführen?

Es wird darauf hingewiesen, dass diese Arbeiten nur von einem durch Sunrise Medical zugelassenen Reparaturservice oder einer sachkundigen Person, welche in Medizinprodukten der Klasse 1 geschult ist, durchgeführt werden dürfen. Modifikationen der Sitzeinheit dürfen nur nach vorheriger Absprache mit Sunrise Medical vorgenommen werden. Es muss klar sein, dass nicht genehmigte Änderungen eine Gefahr für den Benutzer und die Begleitperson darstellen können. Durch nicht genehmigte Änderungen wird auch die Garantie ungültig.

Werden neue Teile benötigt, sollten nur die Originalteile von Sunrise Medical eingebaut werden.

Serviceintervall

Sunrise Medical empfiehlt, mindestens alle 6 Monate einen Service für dieses Produkt durchzuführen. Die Häufigkeit von Überprüfungen und Service muss der Beanspruchung angepasst werden. Wenn das System auf eine der folgenden Weisen benutzt wird, würde das als eine hohe und ständige Beanspruchung gelten. Wir empfehlen daher, das Serviceintervall auf drei Monate zu verkürzen.

- Täglicher Gebrauch von etwa 8 bis 10 Stunden.
- Wöchentlich während mindestens 6 von 7 Tagen.
- Monatlich während mindestens 11 Monate pro Jahr.
- Wenn ein aktiver Benutzer das Gerät nutzt; oder jemanden, der freiwillig oder unfreiwillig sehr aktiv ist.
- Durch einen Benutzer mit einem Körpergewicht von über 80 % des empfohlenen maximalen Körpergewichts.
- Wird zwei- oder mehrmals am Tag in einem Fahrzeug transportiert.

VORSICHT!

Wenn die Benutzung die oben genannte Häufigkeit übersteigt, kann ein Service alle sechs Wochen oder häufiger erforderlich sein.

So vereinbaren Sie einen Termin für einen Service

Sunrise Medical verfügt über geeignete Mechaniker, die in der Wartung unserer Produkte geschult sind. Wenn Sie möchten, dass Sunrise Medical einen Service an Ihrem Produkt durchführt oder weitere Informationen benötigen, rufen Sie den Kundendienst von Sunrise Medical an.

Sie können sich auch an die Person wenden, die Ihnen das Produkt abgegeben hat.

26.0 Wartungsprotokoll

Dieses Protokoll ist eine wichtige Aufzeichnung über die Benutzung und Pflege des Produkts. Es ist ein wichtiges Werkzeug bei der Vorhersage der Notwendigkeit von weiteren Services und Wartungen. Es sollte jedes Mal ausgefüllt werden, wenn eine Überprüfung, ein Service oder eine andere wesentliche Änderung durchgeführt wurde. Sunrise Medical Seating Solutions Ltd. benötigt einen Servicenachweise für alle Ansprüche oder Bestellungen im Rahmen der Garantie.

Seriennummer des Sitzsystems / /
Lieferdatum / /
Haltbarkeitsdatum der Batterie / /

Datum	Durchgeführter Service	Organisation	Name in Druckbuchstaben + Unterschrift

Bitte wenden Sie sich an Sunrise Medical, wenn Sie zusätzliche Protokolle benötigen.

27.0 Überprüfung und Neuausgabe von Ausrüstungen

Die meisten Produkte von Sunrise Medical Seating Solutions Ltd. werden vor dem Gebrauch individuell für den Kunden ausgemessen. Die Produkte werden kontrolliert übergeben, um eine optimale Passform und Spezifikation zu gewährleisten. Die Ware wird überprüft und bei Bedarf finden zusätzliche individuelle Unterweisungen statt. Wir empfehlen daher vor der Neuausgabe die folgenden Punkte einzuhalten:

Reinigung

Führen Sie eine gründliche Reinigung durch, um das Produkt zu hygienisch rein zu halten und einer evtl. Krankheitsübertragung vorzubeugen.

Beurteilung von Stoffen / Schaumstoff

Überprüfen Sie den Zustand von Stoffen und Schaumstoff am Sitzsystem sorgfältig und lassen Sie diese bei Bedarf teilweise oder ganz auswechseln. In ernsthaften Fällen, wenn das Fahrgestell abgenutzt ist und sich das Sitzsystem in einem schlechten Zustand befindet, kann eine Instandsetzung durch den Hersteller erforderlich sein. In sehr schweren Fällen, wenn das Fahrgestell stark abgenutzt ist und sich das Sitzsystem in einem sehr schlechten Zustand befindet, sollte das Produkt aus dem Betrieb genommen und entsorgt werden.

Außerbetriebnahme von elektrischen und elektronischen Geräten

Wenn Ihr Produkt über eine elektrische Funktion verfügt, sollten Sie sich für Informationen zur Außerbetriebnahme immer an Sunrise Medical oder Ihren autorisierten Vertreter wenden.

Angemessenheit der Ausrüstung

Überprüfen Sie, dass die gelieferte Ausrüstung für die Bedürfnisse des Benutzers angemessen ist. Berücksichtigen Sie dabei Alter, Gewicht, Fähigkeiten, Diagnose und andere wichtige Faktoren. Evtl. sind Produkte von Sunrise Medical Seating Solutions Ltd. unter gewissen Umständen nicht für Personen mit extrem schwierigen Verhaltensmustern geeignet. Achten Sie auch darauf, dass die vorgegebenen, sicheren Grenzen für den Gebrauch vom neuen Benutzer nicht überschritten werden. Ihr Ansprechpartner kann Sie zur Eignung der Ausrüstung beraten..

Bedienungsanleitungen und Aufzeichnungen

Stellen Sie sicher, dass diese Bedienungsanleitung und alle zusätzlichen Anleitungen für das Sitzsystem mit der Ausrüstung an den neuen Benutzer übergeben werden und achten Sie darauf, dass die Wartungsprotokolle auf dem neuesten Stand sind. Die Daten vom neuen Benutzer müssen aktualisiert werden, um die Rückverfolgbarkeit zu gewährleisten.

Inspektion

Die Ausrüstung sollte vor der Neuausgabe gründlich überprüft werden, einschließlich der von der halbjährlichen Routineprüfung abgedeckten Punkte. Unabhängig davon, ob diese Routineprüfung vor kurzem durchgeführt wurden. Die Ausrüstung sollte bei allen Elementen der Hauptkonstruktion oder des Zubehörs keine übermäßige Abnutzung und keine Verformungen aufweisen.

Zustand

Räder, Reifen und Bremsen müssen sich in einem guten Zustand befinden, richtig eingestellt und richtig aufgepumpt sein.

Zubehör

Überprüfen Sie das Zubehör sorgfältig auf Schäden und mögliche Mängel, die den Benutzer gefährden könnten.

Funktion

Vergewissern Sie sich, dass alle Funktionen des Rollstuhls richtig funktionieren, z.B. Sitzneigungsverstellung, Höhenverstellung, Rückenwinkelverstellung, Zusammenfallen etc.

Befestigungsteile

Überprüfen Sie, dass sich alle Knöpfe, Handräder, Muttern, Schrauben, Hebel und Befestigungsteile in gutem Zustand befinden und dass sie ordnungsgemäß festgezogen sind.

Modifikationen

Für alle besonderen Modifizierungen, Anpassungen, Änderungen oder ähnliche Verfahren - einschließlich zusätzlichem Zubehör -, kann eine Überprüfung erforderlich sein. Falls diese als unangemessen befunden werden, sollten Änderungsmaßnahmen ergriffen werden, um die Eignung des Geräts zu garantieren.

Kennzeichnung

Alle Kennzeichnungen, die sich auf den vorherigen Benutzer beziehen, müssen entfernt und durch Kennzeichnungen des neuen Benutzers ersetzt werden.

Einstellung

Das Einstellen der Ausrüstung für den neuen Benutzer muss durch entsprechend qualifiziertes und erfahrenes Fachpersonal erfolgen. Diese Einstellungen sollten mit den anderen angemessenen Überprüfungen und Tests mit der Kenntnis und Zustimmung des Eigentümers durchgeführt werden.

Übergabe

Die ordnungsgemäße Übergabe der Ausrüstung an den neuen Benutzer oder die Begleitperson muss eine ordnungsgemäße Schulung und Hinweise zum sicheren Gebrauch beinhalten, vor allem in Bezug auf den Transport.

Verpackung

Achten Sie immer darauf, dass der Stuhl vor der Auslieferung richtig verpackt wird.

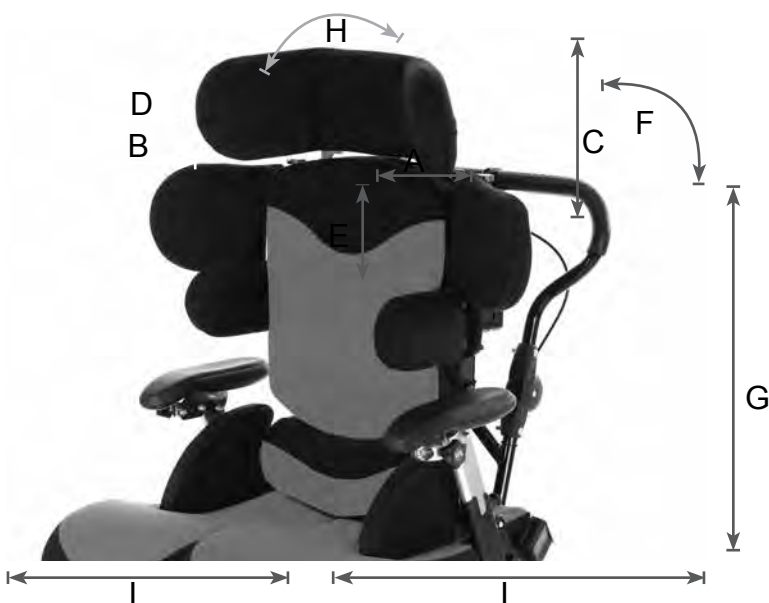
Einbau des Griffs

Bitte beachten Sie, dass der eingebaute Griff von der Größe des Stuhls abhängt. Sie müssen deshalb sicherstellen, dass der Größenaufkleber am Griff der Größe des Stuhls entspricht.

Mesures et informations utiles

MESURES (mm)	Pluton 1		Pluton 2		Pluton 3		Remarques
	MIN.	MAX.	MIN.	MAX.	MIN.	MAX.	
A Profondeur d'assise	200	350	300	450	400	550	
B Largeur d'assise (entre les hanches)	150	250 (315)	230	330 (395)	310	410 (475)	(mm) - Coussins de hanche retirés
C Siège au dessus de l'épaule	300	440	390	560	480	680	
D Largeur de buste	150	270	230	350	310	430	
E Siège à la palette	190	370	260	440	330	510	2 réglages de longueur de jambe Min/Max
F Angle du dossier							
Poids du siège	14,5 kg		17,0 kg		19,5 kg		Indication (avec accoudoirs, coussins de hanche, cales tronc, palette)
Capacité de charge							Toujours consulter les capacités du châssis
Fourchette d'âge	4-9 ans		8-13 ans		12 ans-adulte		
Mesures avec une base à hauteur et inclinaison réglables							
G Siège au sol			Roue avant de 100 mm : Min. - 355 / Max.- 815			100 mm est la taille standard	
H Angle d'inclinaison / Proclive							
I Encombrement de la base							

Pluton est un système d'assise modulaire qui permet de choisir le siège, le dossier et le repose-pieds les mieux adaptés aux besoins de l'utilisateur. Après l'évaluation initiale, le système d'assise est fabriqué de manière à assurer le plus grand confort tout en évoluant et en grandissant avec l'enfant. Les dimensions fournies ici sont une indication sur les tailles standard disponibles.



À noter que les mesures sont fournies à titre indicatif uniquement. Sunrise Medical peut personnaliser le fauteuil en fonction de vos besoins spécifiques. Nos spécialistes procéderont à une évaluation de votre enfant afin de garantir que le fauteuil est parfaitement adapté à ses besoins actuels et futurs.

Introduction

Chère cliente, cher client,

Vous avez choisi un produit de SUNRISE MEDICAL de grande qualité. Nous nous en réjouissons.

Le système Pluton a été conçu pour assurer un maximum de confort et de maintien postural. Il est disponible en cinq tailles pour convenir aux différentes morphologies des enfants, de l'âge de 6 mois à l'âge d'adulte.

Ce manuel d'utilisation contient d'importantes informations sur le système d'assise Pluton et fournit des informations utiles pour garantir une utilisation sécurisée et optimale. Prenez le temps de lire l'intégralité du manuel avant d'utiliser votre fauteuil, et conservez le manuel dans un endroit sûr afin de pouvoir le consulter à tout moment. Quiconque utilisant ce matériel doit impérativement prendre connaissance des informations contenues dans le présent manuel et comprendre les consignes d'utilisation.

Ces consignes fournissent des indications sur les réglages pouvant être effectués par les professionnels de santé, et indiquent comment utiliser, entretenir, inspecter et monter correctement et en toute sécurité le fauteuil et le système d'assise.

Ce matériel doit être fourni par un professionnel qualifié qui aura préalablement réglé le matériel, vérifié sa conformité et testé son fonctionnement.

Seul des personnes ayant été formées à cet effet et des professionnels qualifiés sont habilités à effectuer des réglages du système d'assise. Pour toute information supplémentaire, n'hésitez pas à nous contacter - vous trouverez nos coordonnées ci-dessous.

Sunrise Medical S.A.S
ZAC de la Vrillonnerie
17 Rue Mickaël Faraday
37170 Chambray-Lès-Tours
Tel : + 33 (0) 247554400
Fax : +30 (0) 247554403
www.sunrisemedical.fr

Nous vous remercions pour votre achat et vous souhaitons beaucoup de plaisir avec votre nouveau système d'assise.

Utilisation

Les configurations pour accompagnateurs sont exclusivement destinées aux utilisateurs dans l'incapacité de marcher ou à mobilité restreinte et pour leur propre usage, à l'intérieur comme à l'extérieur.

La charge maximale (à savoir le poids de l'utilisateur et des accessoires éventuellement embarqués) est indiquée sur la plaque signalétique apposée sur le croisillon ou sur la barre de stabilisation, en dessous du système d'assise.

La garantie n'est valable que si le produit est utilisé dans les conditions spécifiées et pour l'usage pour lequel il est prévu.

La durée de vie prévue pour ce produit est de cinq années.

N'utilisez ET n'installez aucun composant tiers sur le système d'assise, à moins qu'ils n'aient été formellement approuvés par Sunrise Medical.



 **DANGER !**

- N'équipez le fauteuil d'aucun dispositif électronique non approuvé.
- N'installez aucun dispositif de mobilité électrique ou mécanique, ou tout autre dispositif susceptible de modifier l'usage prévu ou la structure du système d'assise.
- L'ajout de dispositifs médicaux supplémentaires nécessite l'approbation de Sunrise Medical.

Champ d'application

De par la diversité des options de montage et sa conception modulaire, ce fauteuil convient pour les personnes dans l'incapacité de marcher ou à mobilité restreinte, suite à :

- Une paralysie
- La perte d'un membre (amputation de la jambe)
- Un problème/la difformité d'un membre
- Des contractures/blessures aux articulations
- Une maladie, comme une déficience cardiaque et circulatoire, perte de l'équilibre ou cachexie.
- Lors de la sélection du siège, il convient de prendre en compte des éléments tels que la taille de l'enfant, son poids, sa constitution physique et psychologique, son âge, son mode de vie et son environnement.





Etat de marche

Le système d'assise est prévu pour être utilisé en présence d'un accompagnateur, à l'intérieur comme à l'extérieur, sur des surfaces sèches et relativement planes. Il n'est pas prévu pour une utilisation par temps orageux, pluie torrentielle, neige et givre ou autres conditions météo extrêmes.

Sommaire		
Mesures et informations utiles	68	
Introduction	69	
Utilisation	69	
Champ d'application	69	
Sommaire	70	
Définitions	71	
Définitions des termes employés dans le manuel	71	
1.0 Importantes consignes relatives à la sécurité	72	
2.0 Garantie	73	
3.0 Freins	74	
Utilisation des freins (Châssis d'intérieur)	74	
Enclenchement des freins	74	
Déverrouillage des freins	74	
4.0 Réglages du harnais	74	
Harnais	74	
Fixation sur le siège	75	
Bouclage des ceintures	75	
5.0 Sécurité relative aux ceintures sous-abdominales	75	
Installation de la ceinture sous-abdominale	75	
Positionnement du harnais et de la ceinture sous-abdominale	76	
6.0 Points de réglage et utilisation des leviers	77	
Points de réglage sous le siège (Fig. 6.1)	77	
Fonctionnement des leviers de verrouillage (selon les modèles)	77	
7.0 Utilisation des pistons	78	
Utilisation des pistons (modèles avec verrouillage uniquement)	78	
8.0 Positionnement des coussins d'épaules	78	
Coussin / Largeur au niveau des épaules	78	
Coussin / Angle de rotation	78	
9.0 Assise	79	
Montage	79	
Dépose	80	
Réglage manuel de la hauteur du siège	80	
Réglage électrique de la hauteur de la base	80	
10.0 Bascule d'assise	81	
Base à hauteur et inclinaison réglables	81	
11.0 Pliage de la poignée de poussée	81	
Base à hauteur et inclinaison réglables	81	
12.0 Réglage de la base à cinq branches	82	
Pour élever le siège	82	
Pour abaisser le siège	82	
Bascule d'assise sur une base à 5 branches	82	
13.0 Réglage du dossier	83	
Réglage de l'angle d'inclinaison du dossier	83	
Réglage de la hauteur du dossier	83	
14.0 Réglage de la profondeur d'assise	84	
Réglage de la profondeur de l'assise (Fig. 14.1)	84	
15.0 Installation d'une tablette	84	
Installation d'une tablette (Fig. 15.1 - 15.2)	84	
16.0 Réglage des coussinets	85	
Réglage du coussinet sacré (Fig. 16.1)	85	
Réglage du coussin de hanche (Fig. 16.2)	85	
Réglage des supports de cuisse (Fig. 16.3 - 16.5)	86	
17.0 Réglage de l'appui-tête	87	
Réglage de l'angle des oreillettes latérales de l'appui-tête	87	
Réglage de l'angle d'inclinaison de l'appui-tête	87	
Réglage de la hauteur de l'appui-tête	87	
18.0 Réglage des cales tronc	87	
Hauteur et largeur des cales tronc	87	
Cales tronc escamotables (selon les modèles)	87	
19.0 Réglage de l'accoudoir	88	
Réglage de la hauteur de l'accoudoir	88	
Réglage de l'angle de l'accoudoir	88	
Retrait de l'accoudoir	88	
20.0 Réglage / Dépose des repose-pieds	89	
Version séparée :	89	
Réglage de l'inclinaison	89	
Dépose du montant du repose-pieds	89	
21.0 Réglage de la position du pied	90	
Réglage de l'angle d'inclinaison des palettes du repose-pieds	90	
Pour relever la palette	90	
Hauteur de la palette	90	
Positionnement du repose-pied	90	
Largeur du pied	90	
Rotation avant et arrière	91	
Repose-pieds côte-à-côte / Réglage de la largeur	91	
Sangle cale-pieds	91	
22.0 Configuration du dossier dynamique	92	
Réglage de la force de résistance et de la force de retour	92	
Augmentation de la pression d'air	92	
Réduction de la pression d'air	92	
Réglage de la force de retour	93	
Déconnexion du mécanisme	93	
Programme d'entretien	93	
23.0 Nettoyage et entretien	94	
Entretien des garnitures	94	
Armature en métal	94	
24.0 Maintenance générale	94	
25.0 Révision effectuée par un revendeur agréé	96	
En quoi consiste une révision ?	96	
Que se passe-t-il en cas de détection d'une anomalie?	96	
Qui effectue la révision ?	96	
Fréquence des révisions	96	
Comment prendre rendez-vous pour une révision ?	96	
26.0 Journal des révisions	97	
27.0 Inspection et vente du matériel	98	
Nettoyage	98	
Inspection des garnitures / Mousses	98	
Mise hors service des composants électriques et électroniques	98	
Adéquation du matériel	98	
Manuels et consignations	98	
Inspection	98	
État	98	
Accessoires	99	
Fonction	99	
Fixations	99	
Modifications	99	
Étiquetage	99	
Réglage	99	
Changement d'utilisateur	99	
Emballage	99	
Poignée	99	

Définitions

Définitions des termes employés dans le manuel

Terme	Définition
 DANGER !	Indication d'un risque potentiel de blessures sérieuses ou de mort en cas de non-respect des consignes
 AVERTISSEMENT !	Indication d'un risque de blessure en cas de non-respect des consignes
 ATTENTION !	Indication que le matériel peut être endommagé si le conseil fourni n'est pas suivi
REMARQUE :	Conseil d'ordre général ou pratique recommandée
	Référence faite à d'autres manuels

REMARQUE :

Il est possible que le système d'assise illustré et décrit dans le présent manuel ne soit pas totalement identique au modèle que vous avez acheté. Toutefois, toutes les instructions fournies dans le présent manuel sont valables pour votre matériel, malgré les éventuelles différences minimales.

Le fabricant se réserve le droit de modifier sans préavis les poids, mesures et autres données techniques indiquées dans le présent manuel. Tous les chiffres, dimensions et capacités indiqués dans ce manuel sont approximatifs et ne constituent pas des caractéristiques.

REMARQUE :

Il vous est conseillé de noter dans l'encadré prévu ci-dessous les coordonnées du technicien chargé de votre service après-vente.

En cas de panne, contactez-le en lui donnant le plus d'informations possible sur la nature de la panne pour qu'il puisse vous aider efficacement et rapidement.

Tampon et signature du revendeur

1.0 Importantes consignes relatives à la sécurité

AVERTISSEMENT !

Chez Sunrise Medical, nous mettons un point d'honneur à fabriquer des produits de la plus haute qualité. Tous nos produits sont conformes aux exigences fondamentales en matière de sécurité et d'environnement, telles que dictées par les directives européennes. Cependant, une utilisation inappropriée des produits peut mettre les utilisateurs en danger, par conséquent Sunrise Medical conseille vivement de respecter scrupuleusement les informations contenues dans le présent manuel.

AVERTISSEMENTS !

- Avant chaque utilisation, vérifiez que les mécanismes de réglage sont en place et fonctionnent correctement. Les molettes peuvent être remplacées par des vis hexagonales. Nous recommandons vivement l'utilisation des vis hexagonales en cas de risque de desserrage répété des molettes.
- Après avoir effectué des modifications, veillez à ce que TOUS les écrous, boulons, molettes, boutons et autres fixations soient remis en place et correctement serrés. Vérifiez-les régulièrement conformément aux consignes de maintenance du fauteuil. Veillez à ne pas sur-ajuster, ni serrer excessivement les organes mobiles.
- Avant toute utilisation, les harnais et les ceintures de maintien postural doivent être installés et convenablement ajustés en fonction de l'utilisateur (voir pages 9, 10 et 11).
- Lorsque le siège Pluton est monté sur un châssis d'intérieur, positionnez-le sur une surface plane. Le siège Pluton peut être déplacé d'une zone de travail à une autre. Pour des raisons de sécurité, avant de le déplacer, remettez TOUJOURS le fauteuil en position neutre et basse (hauteur et siège abaissés, dossier redressé, etc.). Une fois que le fauteuil a atteint l'endroit souhaité, il convient de le mettre en position statique avec les freins serrés. Les châssis d'intérieur, comme par exemple la base compacte, sont prévus pour un usage à l'intérieur, cependant, l'accès extérieur pendant de courtes durées (le temps de passer d'une zone intérieure à une autre, par ex.) est envisageable.
- Les objets lourds posés sur la tablette peuvent compromettre la stabilité. L'insertion de tout accessoire autre que la tablette Sunrise Medical standard peut considérablement compromettre la stabilité du système d'assise et doit donc faire l'objet d'un contrôle préalable.
- Si certaines zones de la peau de l'utilisateur restent rouges au-delà d'une dizaine de minutes après que l'utilisateur a quitté le fauteuil, contactez rapidement le professionnel ayant prescrit et remis le matériel. Ce phénomène peut indiquer une pression excessive exercée par le système d'assise. Il peut être observé lors de l'utilisation initiale d'un nouveau siège nécessitant un ajustement approfondi, si l'utilisateur était mal positionné, s'il a grandi ou en présence d'un problème médical sous-jacent. Il convient alors de revoir les réglages.

- Tenez éloignées toute source de chaleur excessive, cigarettes et flammes nues.
- Si vous suspectez le moindre dysfonctionnement du système, cessez immédiatement de l'utiliser et contactez votre fournisseur. (Coordonnées en page 5 du manuel).
- Des étiquettes contenant des informations importantes sont apposées sur le matériel. NE RETIREZ JAMAIS ces étiquettes et évitez qu'elles ne deviennent illisibles ou qu'elles soient modifiées ou recouvertes.
- Les modifications, réglages, remises en état, réparation, mises au rebut et révisions du système d'assise doivent être EXCLUSIVEMENT effectués par les organismes ayant fourni le matériel (voir pages 30-31).

DANGER !

Appui-tête réglable

Le réglage optimal des oreillettes latérales de l'appui-tête est de 45°. Ne ramenez PAS les oreillettes latérales trop près de la tête. L'appui-tête doit être réglé de manière à ce que l'enfant ne puisse pas passer la tête de l'autre côté des oreillettes latérales de l'appui-tête et être coincé.

Supports flexibles et cales tronc

Veillez à ce que les sangles n'entravent pas l'acheminement ou le positionnement d'éventuelles sondes d'alimentation.

AVERTISSEMENT !

Abducteurs

Ils permettent de favoriser l'abduction du genou des utilisateurs afin de maintenir les hanches en bonne position. Les abducteurs ne doivent pas servir de système de retenue de l'utilisateur dans son siège. Retirez l'abducteur lors du transfert de l'utilisateur.

Sandales et sangles

À n'utiliser que si l'utilisateur porte des chaussures ou des bottes.

Tablette

La tablette ne doit pas servir de système de retenue de l'utilisateur dans son siège. Veillez à ce que la ceinture sous-abdominale et toutes les autres ceintures fournies soient utilisées. Vérifiez que les attaches de la tablette sont fixées des deux côtés de la tablette. Si la tablette est endommagée, vérifiez qu'elle ne représente pas de danger pour l'utilisateur. Ne laissez jamais un enfant sans surveillance avec des aliments ou une boisson chaude sur la tablette.

DANGER !

RISQUE D'ÉTOUFFEMENT – Ce fauteuil est composé de petites pièces qui, dans certaines conditions, peuvent présenter un risque d'étouffement pour les jeunes enfants.

GARANTIE

CELA N'AFPECTE EN AUCUN CAS VOS DROITS LEGAUX.

La garantie de Sunrise Medical* est détaillée dans les conditions de garantie suivantes :

Conditions de garantie

Si une ou plusieurs pièces devaient être remplacées ou réparées suite à un vice de fabrication et/ou de matériel dans les 24 mois (5 ans pour le châssis ou le croisillon) suivant la livraison au client, la ou les pièces seront remplacées ou réparées gratuitement. (Les batteries sont garanties pendant une période de 12 mois dans la mesure où les recommandations pour les batteries ont été respectées)

Pour faire jouer la garantie, veuillez contacter le service client Sunrise Medical afin de préciser la nature du problème. En cas d'utilisation du fauteuil dans une zone située en dehors du territoire du service après-vente (revendeur) Sunrise Medical, les réparations ou remplacements seront assurés par un autre service après-vente désigné par le fabricant. Le fauteuil doit être réparé par un service après-vente désigné par Sunrise Medical.

Toute pièce réparée ou échangée dans le cadre de la garantie est couverte par la garantie pour la période restante conformément au point 1.

Concernant les pièces détachées d'origine installées ultérieurement et au frais du client, celles-ci sont couvertes par une garantie de 12 mois (à compter de l'installation), conformément aux présentes conditions de garantie.

Les pièces consommables, telles les manchettes, les pneus, les chambres à air et autres pièces similaires, ne sont pas couvertes par la garantie, à moins que l'usure prématurée de la pièce soit le résultat direct d'un défaut de fabrication.

La garantie ne peut être actionnée si la réparation ou l'échange du fauteuil ou d'une pièce découle de l'un des cas de figure suivants :

Le produit n'a pas été entretenu ou révisé conformément aux recommandations du fabricant, telles qu'indiquées dans le manuel d'utilisation et/ou les notices d'entretien.

Les accessoires utilisés ne sont pas des accessoires d'origine.

Le fauteuil roulant - ou l'une de ses pièces - a été endommagé suite à un mauvais entretien, à un accident ou à une utilisation inadéquate.

Des changements/modifications non conformes aux spécifications du fabricant ont été effectués sur le fauteuil ou des pièces.

Les réparations ont été effectuées avant d'en avoir informé le service client.

Cette garantie est soumise à la loi du pays d'achat du produit auprès de Sunrise Medical*

* Le lieu Sunrise Medical depuis lequel le produit a été acheté.

Utilisation des freins (Châssis d'intérieur)

AVERTISSEMENT !

Serrez toujours les freins lorsque le fauteuil est stationnaire.

Enclenchement des freins

Appuyez sur le levier (A) à l'aide de votre pied. Pour sécuriser le fauteuil, enclenchez le frein de chaque roue. (Fig. 3.1).

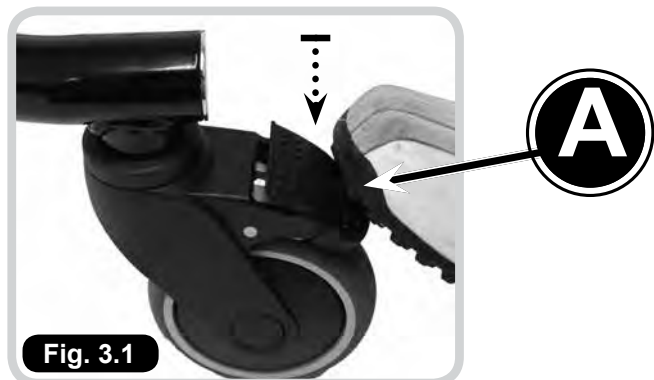


Fig. 3.1

Déverrouillage des freins

Pour relâcher les freins, relevez le levier du bout du pied. Lorsque tous les freins ont été relâchés, le fauteuil peut à nouveau se déplacer dans la direction souhaitée. (Fig. 3.2).

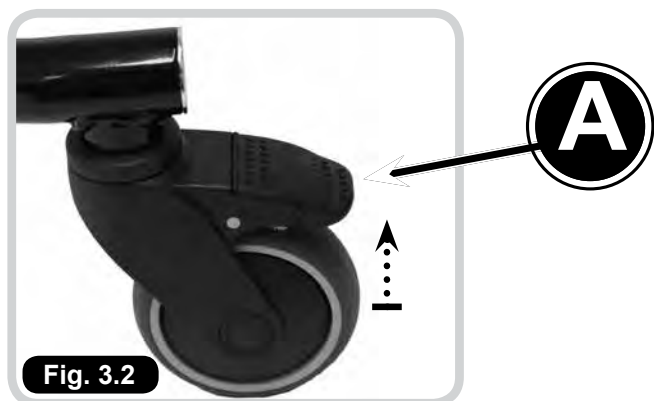


Fig. 3.2

Harnais

DANGER !

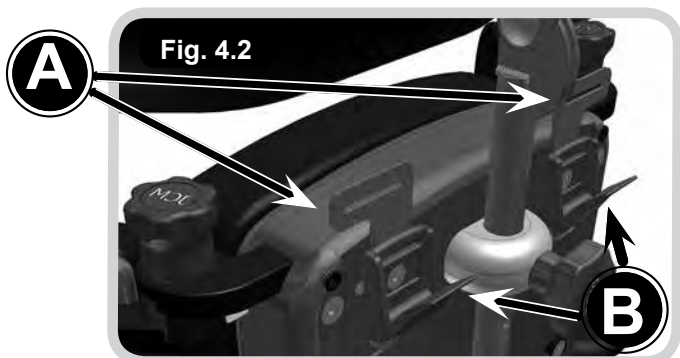
- L'installation d'un harnais est une opération délicate qui exige une GRANDE VIGILANCE et le respect des consignes suivantes :
- Ne laissez jamais les sangles du harnais venir trop près du cou de l'enfant ou présenter une obstruction.
- Ne serrez pas les sangles excessivement et éliminez toute obstruction.
- Réglez la sangle du sternum du harnais avant l'utilisation du siège et vérifiez qu'elle n'arrive pas plus haut que la moitié de la poitrine de l'utilisateur.
- Utilisez toujours une ceinture sous-abdominale conjointement à un harnais pour éviter que l'enfant ne glisse vers le bas.
- Vérifiez toujours que les ceintures assurent le confort et le maintien nécessaires à l'utilisateur. Si l'utilisateur change de tenue vestimentaire (par ex. retrait d'un pull), réglez les sangles en conséquence. (Fig. 4.1).



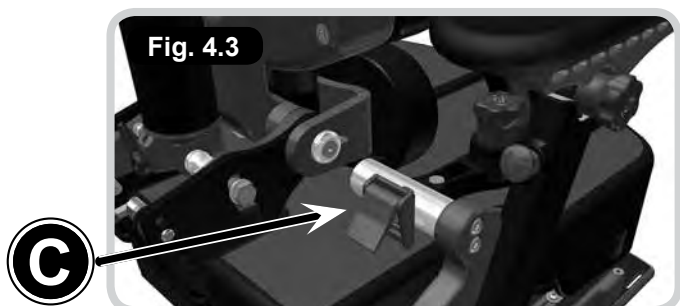
Fig. 4.1

Fixation sur le siège

- Le siège Pluton est doté de guides situés de part et d'autre du dossier (A). Acheminez la sangle à travers ces guides, puis ajustez et serrez les boucles à fermetoir (B) situées juste sous les guides. (Fig. 4.2).

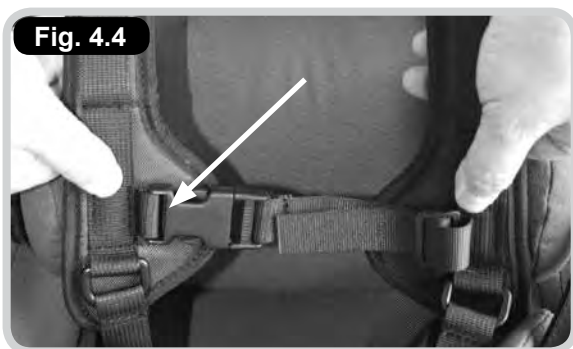


- Les sangles du bas du harnais doivent être acheminées, ajustées et serrées à travers les boucles à fermetoir (C) situées sur le rail du coussin de hanche. (Fig. 4.3).



Bouclage des ceintures

- Acheminez la ceinture à travers la boucle située sur la sangle.
- Réglez la ceinture de sorte que l'enfant soit confortablement maintenu en place.
- Fermez ensuite la boucle pour maintenir la sangle en place. (Fig. 4.4).



⚠ AVERTISSEMENT !

Ces mêmes précautions doivent être prises lors de l'utilisation de toute forme de cales tronc ou de support flexible.

⚠ DANGER !

S'il y a le moindre risque que les sangles viennent s'entortiller autour du cou de l'enfant, RETIREZ LE HARNAIS IMMÉDIATEMENT.

5.0 Sécurité relative aux ceintures sous-abdominales

⚠ DANGER !

L'INSTALLATION INCORRECTE DES CEINTURES SOUS-ABDOMINALES PEUT ÊTRE TRÈS DANGEREUSE POUR L'UTILISATEUR.

Installation de la ceinture sous-abdominale

Lors de l'utilisation de ceintures sous-abdominales, respectez les recommandations suivantes :

L'angle auquel la ceinture sous-abdominale est fixée au système d'assise a un impact direct sur l'angle de traction sur le bassin.

Considérations :

- Un angle de fixation de 60° au rail d'assise a pour effet de positionner la ceinture sous-abdominale en avant ou en arrière de l'épine iliaque antéro-supérieure, réduisant ainsi la tendance d'un utilisateur présentant une rétroversion du bassin, à glisser sous la ceinture.
- Un angle supérieur de fixation des sangles principales favorise la torsion pelvienne postérieure, laquelle facilite le positionnement des patients affichant une antéversion du bassin.
- Les sangles secondaires d'une ceinture sous-abdominale à 4 points sont fixées aux montants, à un angle compris entre 45° et 90° de sorte à maintenir la sangle principale matelassée et éviter le déplacement ou l'entortillement de la ceinture.
- Certaines circonstances, telles des blessures au niveau du bassin, des articulations de la hanche fragiles ou la présence de sondes gastriques, peuvent éventuellement nécessiter de modifier l'angle de fixation des sangles.

Serrage de la ceinture :

La ceinture doit rester serrée tout au long des activités quotidiennes afin de maintenir le positionnement adéquat des coussinets. Lorsqu'une ceinture sous-abdominale matelassée est correctement réglée, les coussinets doivent se toucher. Pour les ceintures sous-abdominales non matelassées, la sangle de réglage au niveau de la boucle, est généralement de 76 mm de long. L'accompagnateur doit impérativement être formé au bon positionnement de la ceinture sous-abdominale.

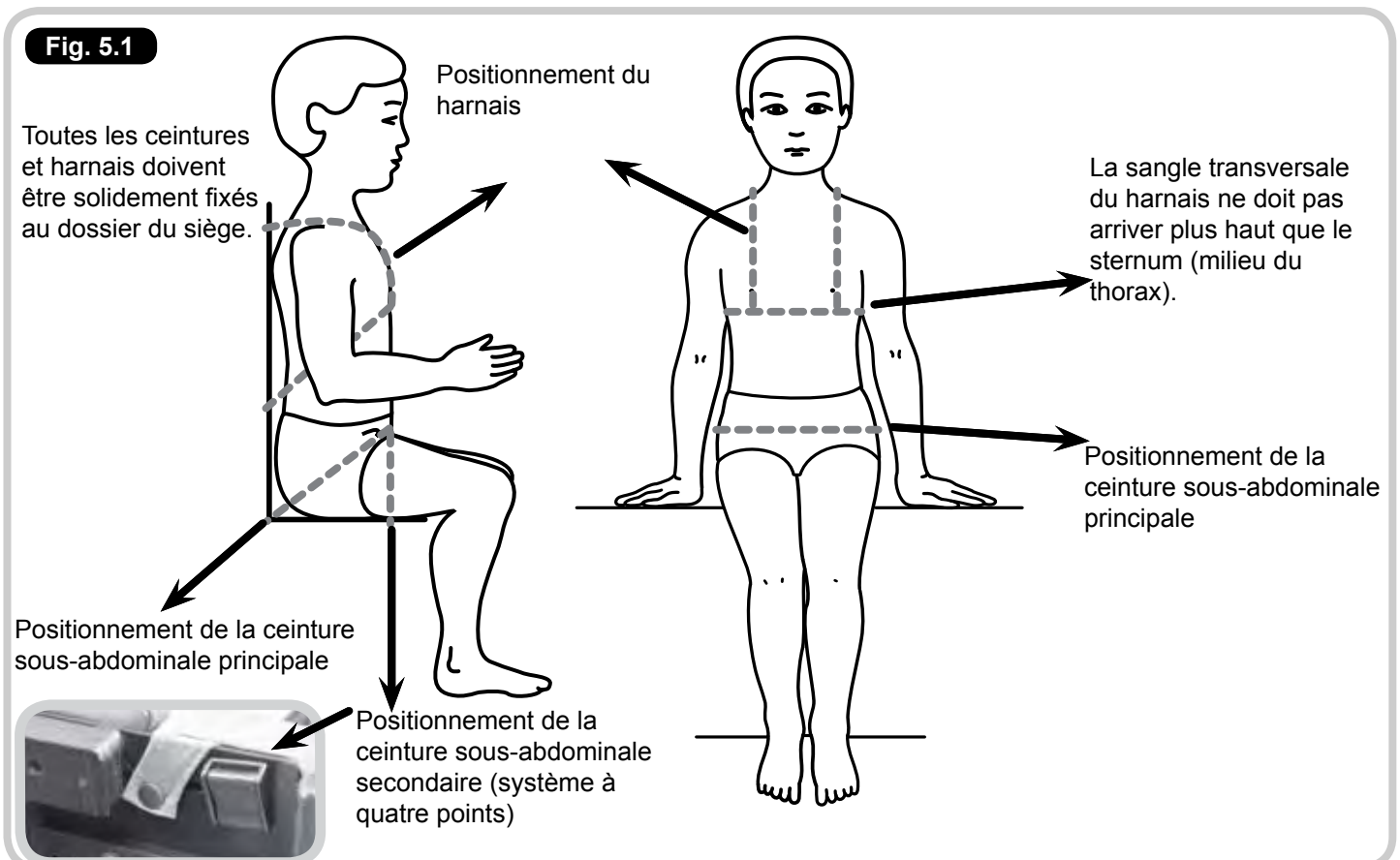
Détermination de la taille :

Mesurez la largeur de hanche afin de déterminer la taille de ceinture requise. La méthode de mesure des hanches préconisée consiste à mesurer la distance d'un trochanter à l'autre. Si cela n'est pas possible, mesurez la distance de l'épine iliaque antéro-supérieure à l'épine iliaque antéro-supérieure, et ajoutez quelques centimètres. Si les coussinets de la ceinture recouvrent les proéminences osseuses de l'utilisateur, c'est que la ceinture est de la longueur appropriée.

- Vérifiez toujours que le bassin de l'enfant est symétrique et qu'il repose fermement au fond du siège.
- Veillez à ce que les ceintures sous-abdominales et le harnais maintiennent l'enfant fermement et confortablement. Vérifiez la tension de la ceinture. Une manière utile de s'en assurer consiste à glisser deux doigts entre la ceinture et le corps de l'enfant.
- Avant de laisser un enfant dans son siège sans surveillance, pensez à serrer la ceinture sous-abdominale.
- Utilisez toujours une ceinture sous-abdominale en présence d'un harnais.
- Lorsque l'angle entre le siège et le dossier du siège est modifié, pensez à toujours ajuster en conséquence le harnais et la ceinture sous-abdominale, pour garantir le respect des consignes de sécurité préconisées.

Positionnement du harnais et de la ceinture sous-abdominale

Le schéma ci-dessous illustre le positionnement recommandé du harnais et des ceintures sous-abdominales (Fig. 5.1) :

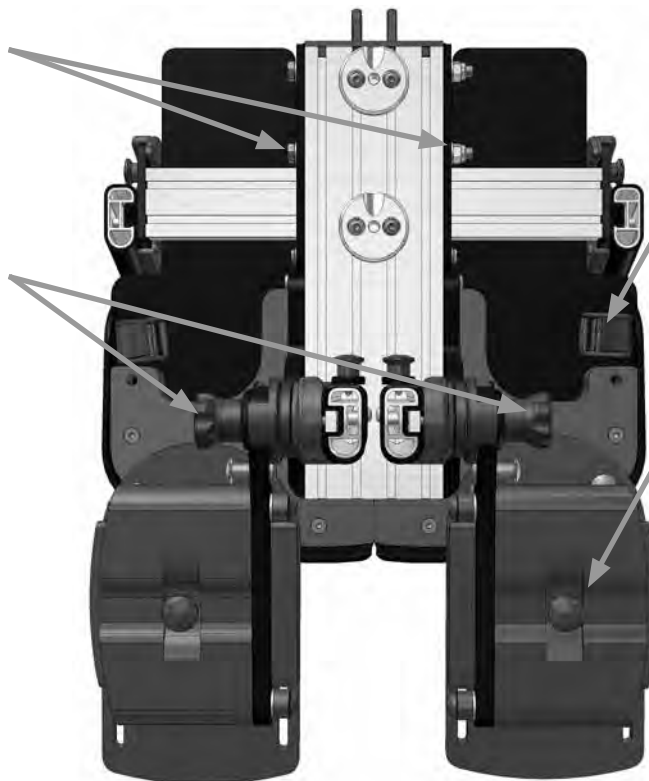


Points de réglage sous le siège (Fig. 6.1)

Fig. 6.1

Boulons de réglage de la profondeur d'assise

Réglage en angle des palettes



Boucle de fixation avant de la ceinture sous-abdominale

Réglage de la largeur de la palette

Fonctionnement des leviers de verrouillage (selon les modèles)

Ne retirez jamais complètement ces leviers car vous auriez du mal à effectuer les réglages à l'avenir.

- Pour l'utiliser : Tournez la poignée du levier dans le sens horaire pour serrer et dans le sens anti-horaire pour desserrer.
- Utilisation du levier en présence d'une obstruction : Tirez la poignée du levier vers vous (A). La fonction du levier est alors désactivée.
- Tout en maintenant le levier sorti, repositionnez la poignée de sorte à éviter l'obstruction.
- Relâchez la poignée pour ré-engager la fonction du levier (B) et continuez à serrer ou à desserrer normalement.
- Répétez la procédure dans les zones où les réglages sont limités en raison d'une obstruction.

Fig. 6.2



Fig. 6.3



7.0 Utilisation des pistons

Utilisation des pistons (modèles avec verrouillage unique-ment)

Pour placer un piston en position ouverte :

- Tirez le piston au maximum (B).
- Tournez le piston d'un demi-tour dans le sens anti-horaire (C) ; le piston est maintenant en position ouverte.
- Pour fermer le piston, tournez-le d'un demi-tour dans le sens horaire. Le piston reprend sa position initiale (A).

8.0 Positionnement des coussins d'épaules

Coussin / Largeur au niveau des épaules

Tournez la vis (A) d'un demi-tour à l'aide de la clé à six pans de 4 mm fournie. Faites glisser le coussin vers l'intérieur ou l'extérieur pour le positionner manuellement en fonction de l'utilisateur.

Resserrez la vis A pour verrouiller le coussin à la position choisie.

Coussin / Angle de rotation

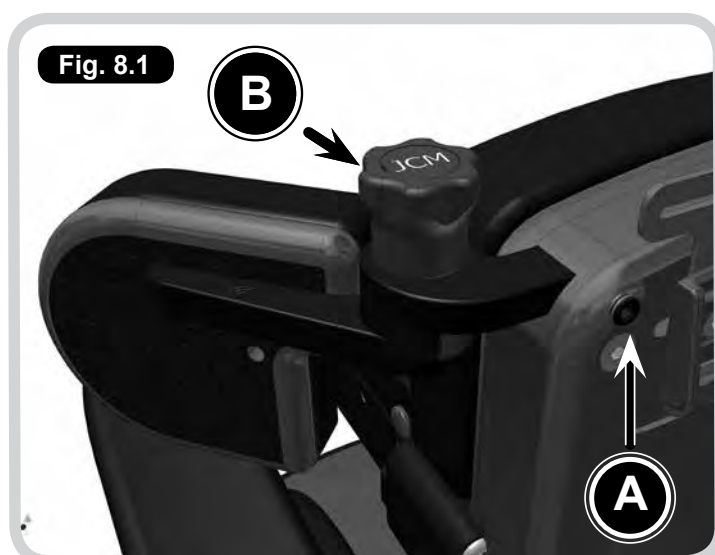
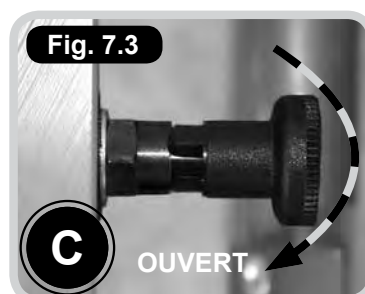
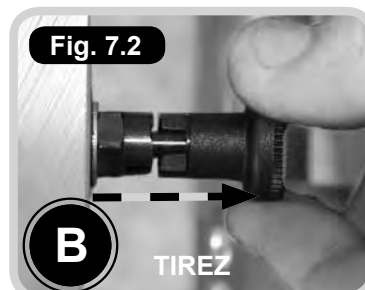
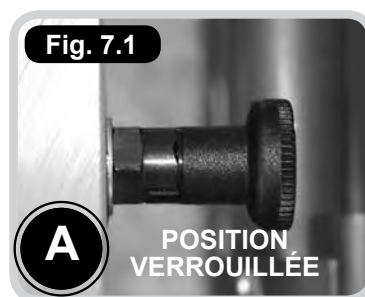
Pour régler l'angle du coussin, desserrez la molette (B) en la tournant de plusieurs tours dans le sens anti-horaire.

Tout en maintenant enfoncée la molette d'une main, positionnez le coussin de l'autre main.

Une fois la position désirée du coussin obtenue, relâchez la molette et resserrez-la dans le sens horaire.

ATTENTION !

Angle de l'accoudoir – Il est possible de régler l'accoudoir sans maintenir la molette enfoncée, cependant cette pratique risque de raccourcir la durée de vie du mécanisme de verrouillage et n'est donc pas recommandée.



Montage

⚠️ AVERTISSEMENT !

Avant de monter l'assise, vérifiez toujours que la base est stable et que les freins sont serrés.

⚠️ ATTENTION !

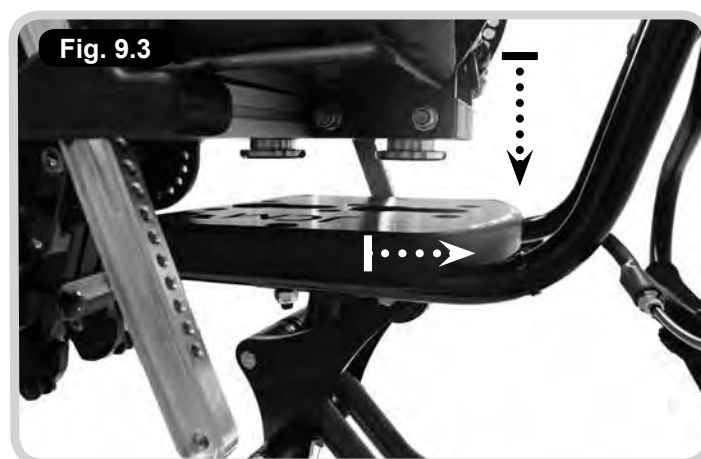
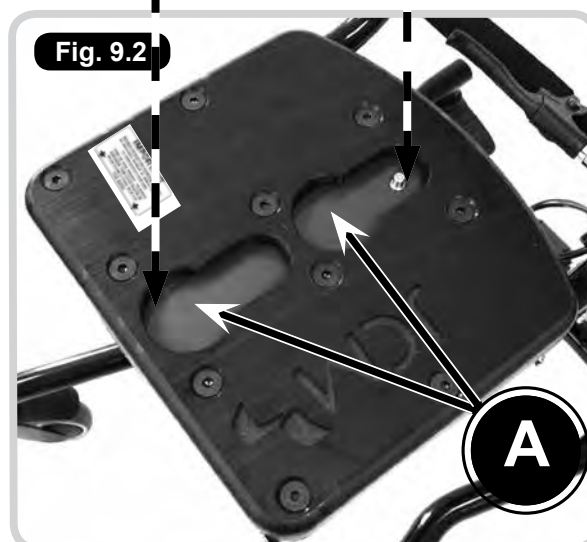
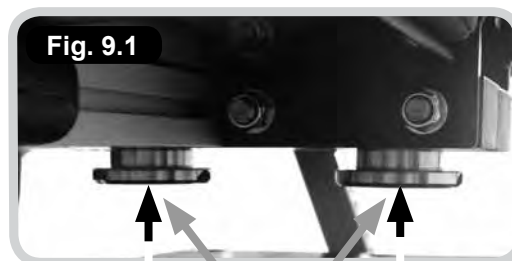
À noter que la poignée montée sur le siège dépend de la taille du siège. Vérifiez que l'étiquette de taille apposée sur la poignée correspond à la taille du siège utilisé.

Voir, (Fig. 9.1 - Fig. 9.2).

- Il y a 2 découpes sur la plaque d'interface (A) prévues pour les ergots de positionnement (B) sur l'unité d'assise.
- Placez l'assise par-dessus la plaque d'interface, en alignant les ergots de positionnement (B) sur les découpes (A).
- Abaissez délicatement le siège sur la plaque d'interface en veillant à ce que les ergots de positionnement (B) s'insèrent dans les découpes (A) de la plaque d'interface.
- Poussez l'unité d'assise vers l'intérieur, en direction du dossier, jusqu'à enclenchement des ergots de positionnement.
- Vérifiez que le siège est bien inséré dans sa base avant d'utiliser le fauteuil.

Vue latérale montrant l'abaissement des ergots de positionnement avant de s'insérer dans les découpes de la plaque d'interface (Fig. 9.3).

Vue du siège enclenché dans la base (Fig. 9.4).



Dépose

Pour sortir le siège de sa base, libérez le piston (C) situé sous la plaque d'interface, puis glissez le siège vers l'avant du fauteuil (Fig. 9.5 - 9.6).

Réglage manuel de la hauteur du siège

Base à hauteur et inclinaison réglables

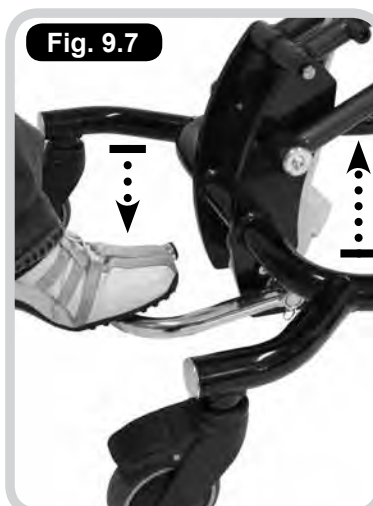
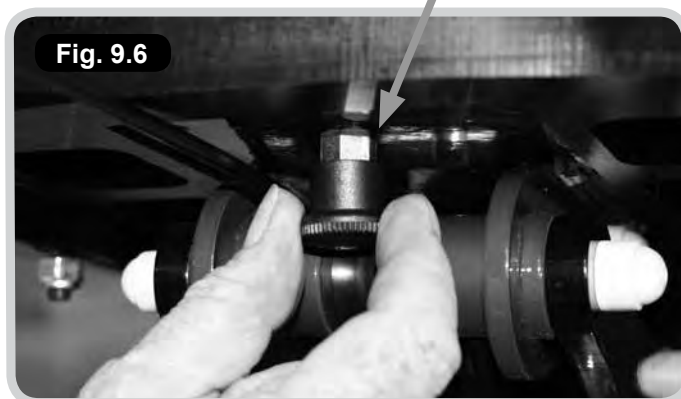
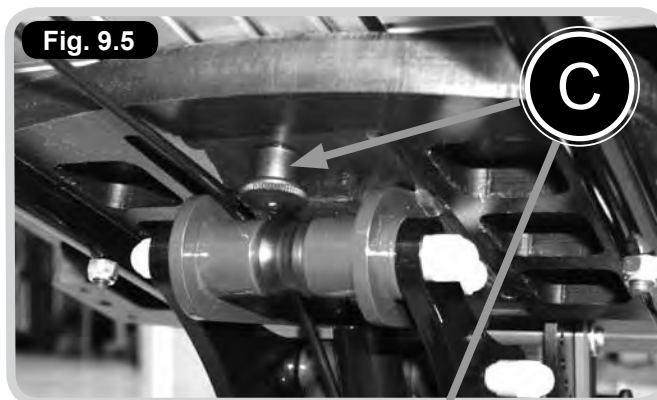
La base à hauteur et inclinaison réglables est compatible avec toutes les tailles du Pluton. Elle est commandée par un mécanisme de pompe hydraulique.

Pour élever le siège (Fig. 9.7).

Appuyez de manière répétée sur la pédale pour élever le siège à la hauteur désirée. (Le siège s'élève à chaque coup de pompe.)

Pour abaisser le siège (Fig. 9.8).

Placez votre pied sous la pédale et levez délicatement la pédale vers le haut. (Le siège s'abaisse automatiquement).



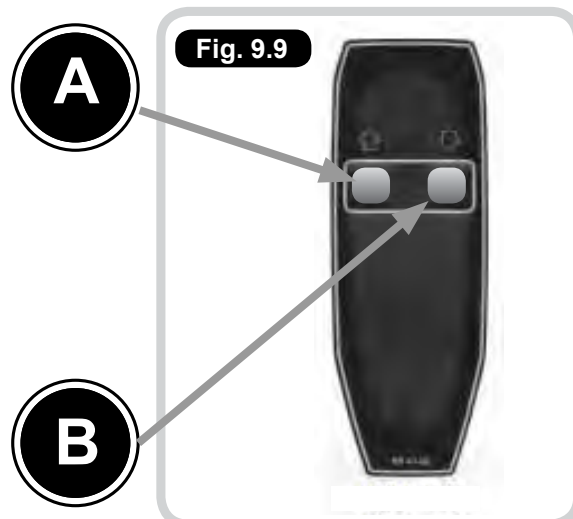
Réglage électrique de la hauteur de la base

En option (Fig. 9.9).

⚠ ATTENTION !

Avant d'actionner les commandes électriques du siège, vérifiez toujours que rien n'entrave le mécanisme de réglage.

Bouton A = HAUT
Bouton B = BAS



10.0 Bascule d'assise

Base à hauteur et inclinaison réglables (Fig. 10.1 - 10.3)

AVERTISSEMENT !

Avant de procéder aux réglages suivants, vérifiez toujours que la base est stable et que les freins sont serrés.

- Libérez le mécanisme de verrouillage de la poignée en enfonçant le petit loquet (A).
- Position inclinée :
D'une main, enfoncez la poignée (B) et appuyez sur la barre de poussée du siège. Dans le même temps, placez l'autre main sur l'accoudoir du siège ou sur le côté pour faciliter l'inclinaison du siège.
- Position Proclive :
D'une main, enfoncez la poignée (B) et tirez la barre de poussée vers le haut et vers l'avant. Dans le même temps, placez l'autre main sur l'accoudoir du siège ou sur le côté pour faciliter la manipulation.
- Une fois la position souhaitée obtenue, relâchez la poignée (B) pour verrouiller le mécanisme d'inclinaison.
- Vérifiez que le loquet (A) de la poignée revient en position fermée pour éviter que le siège ne s'incline accidentellement.

AVERTISSEMENT !

L'accompagnateur doit contrôler le mouvement du siège pendant que la poignée est enfoncée. La force à appliquer dépendra de la taille et du poids de l'utilisateur assis dans le siège. Il est recommandé de s'exercer à cette manipulation avant la présence de l'utilisateur dans son siège.

11.0 Pliage de la poignée de poussée

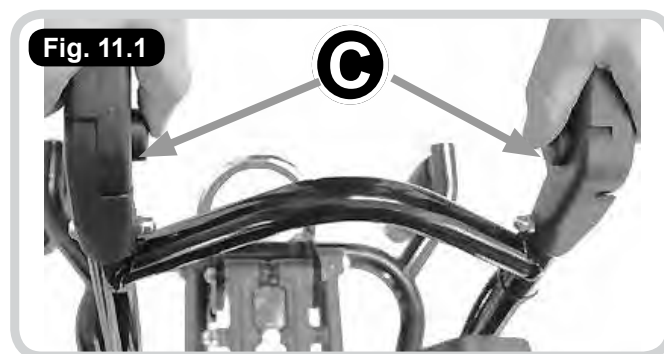
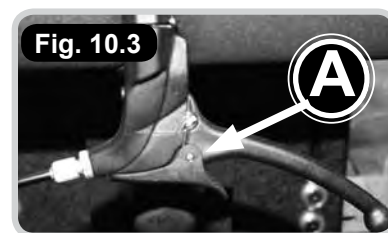
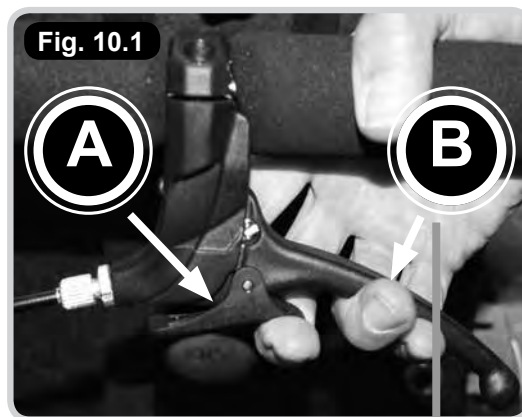
Base à hauteur et inclinaison réglables (Fig. 11.1 - 11.2)

Déplacez toujours le siège à l'aide de la poignée de poussée. Pendant les périodes de non-utilisation du siège, abaissez la poignée de poussée.

Enfoncez les deux boutons (C) situés à l'intérieur de la poignée.

Abaissez la partie supérieure de la poignée.

Pour déployer la poignée de poussée, tirez-la vers le haut jusqu'à ce qu'elle émette un clic, indiquant qu'elle est correctement enclenchée.



12.0 Réglage de la base à cinq branches

AVERTISSEMENT !

Avant de procéder aux réglages suivants, vérifiez toujours que la base est stable et que les freins sont serrés.

Reportez-vous à la Fig. 12.1.

Pour élever le siège

Repérez le levier (A) situé sous la base à l'arrière du siège. Pour élever le siège, maintenez le levier enfoncé. Selon le poids de l'utilisateur, une assistance supplémentaire sera nécessaire pour faire monter le siège.

Relâchez le levier une fois la hauteur désirée obtenue.

Pour abaisser le siège

Tout en maintenant le levier (A) enfoncé à l'aide d'une main, appuyez de l'autre main sur le haut du dossier.

ATTENTION !

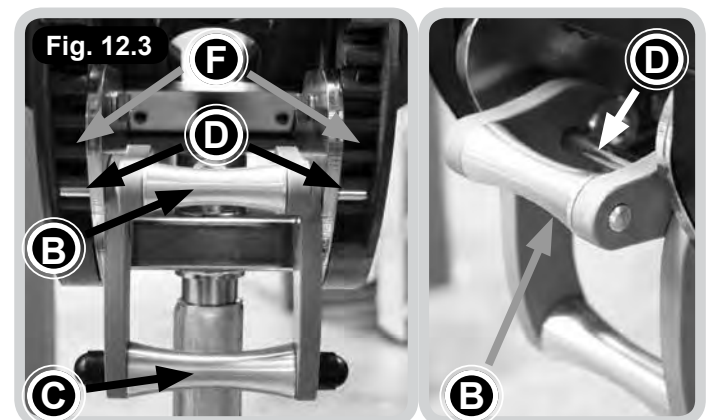
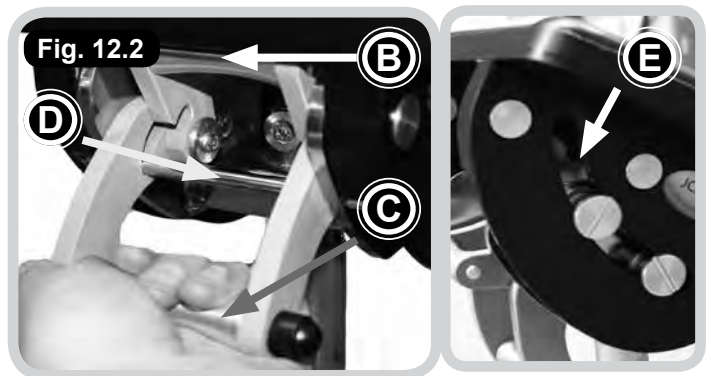
Si vous avez du mal à effectuer les deux actions simultanément, faites-vous aider d'une autre personne.



Bascule d'assise sur une base à 5 branches

Reportez-vous aux Fig. 12.1 - 12.3.

- Soulevez la poignée de sécurité (B) en vue du basculement de la base.
- Soulevez la poignée (C) au maximum, de manière à la dégager de la barre (D).
- Basculez l'interface de la base à l'angle désiré. La plage de bascule est visible dans la rainure latérale de la base. Une fois l'angle désiré obtenu, rabaissez la poignée (C) jusqu'à ce que la barre (D) vienne se loger dans les encoches (F).
- Abaissez ensuite la poignée de sécurité (B) pour éviter tout basculement indésirable.
- Vérifiez que les encoches de la poignée de sécurité (B) se calent sur la barre (D) afin de verrouiller le siège.



13.0 Réglage du dossier

Reportez-vous aux Fig. 13.1 - 13.2

Réglage de l'angle d'inclinaison du dossier

- Deux leviers (A) se trouvent au bas du dossier, au dos. Pressez les deux leviers ensemble de sorte à les libérer de leur orifice (B).
- Tout en continuant de serrer les deux leviers, tenez le dossier par le haut et inclinez-le à l'angle désiré.
- Réinsérez les leviers dans leur nouvel orifice de positionnement (B) afin de verrouiller la position du dossier.
- Avant d'utiliser le siège, vérifiez toujours que le dossier est solidement fixé et que les leviers sont insérés dans leur orifice.

Réglage de la hauteur du dossier

- Retirez le coussin maintenu en place par des boutons-pression.
- Desserrez les deux vis hexagonale (A) sur le cache en plastique du dossier.
- Faites glisser le cache vers le haut ou le bas, à la hauteur désirée.
- Resserrez fermement les deux vis.
- Remettez le coussin en place.

Fig. 13.1

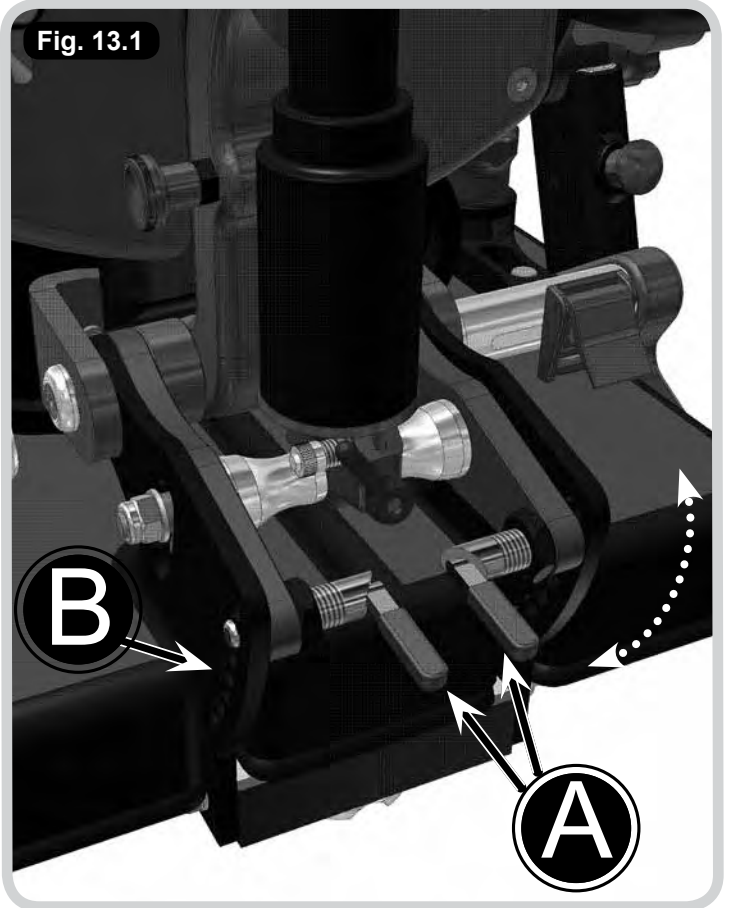
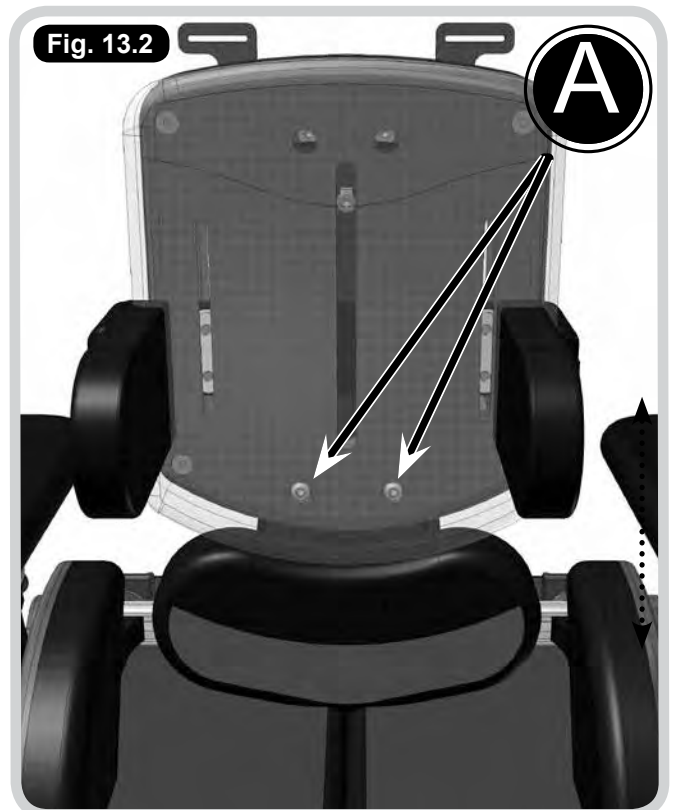


Fig. 13.2



14.0 Réglage de la profondeur d'assise

Réglage de la profondeur de l'assise (Fig. 14.1)

AVERTISSEMENT !

- Lors de l'installation initiale d'un système d'assise sur la base ou lorsque la taille du système a été modifiée, une évaluation de la stabilité doit impérativement être réalisée avant l'utilisation du siège.
- Après avoir réglé la profondeur d'assise, vérifiez toujours que ces points sont solidement fixés et inspectez-les régulièrement dans le cadre de l'entretien de routine du fauteuil.

REMARQUE : Le siège Pluton est en deux parties (gauche et droite). Suivez les consignes ci-dessous pour régler la profondeur d'assise. Si les deux jambes de l'utilisateur ne font pas la même longueur, vous pouvez régler l'une ou l'autre moitié du siège dans une amplitude de 150 mm

- Desserrez (sans les retirer) les vis hexagonales (A) de part et d'autre du siège.
- Faites glisser le siège vers l'avant ou l'arrière selon la profondeur requise.
- Resserrez les deux vis hexagonales.

15.0 Installation d'une tablette

DANGER !

- Avant de laisser l'utilisateur du siège sans surveillance, assurez-vous toujours que les accoudoirs sont bien enclenchés et que la tablette est bien en place et stable.
- Ne laissez jamais un utilisateur sans surveillance avec des aliments ou une boisson chaude sur la tablette.

Installation d'une tablette (Fig. 15.1 - 15.2)

REMARQUE : Les accoudoirs (accessoire en option) sont obligatoires pour pouvoir installer une tablette.

- Prenez la tablette par devant en la tenant par le haut. Placez vos doigts sur les loquets (A) de part et d'autre de la tablette.
- Placez la tablette par-dessus les accoudoirs (B), puis glissez la tablette en direction de l'utilisateur jusqu'à la position désirée.
- Relâchez les loquets (à ressort). Ils se logent alors dans les encoches de positionnement (C) sous les accoudoirs.
- Avant d'utiliser le siège, vérifiez que les loquets droit et gauche sont bien enclenchés et que la tablette est solidement fixée.

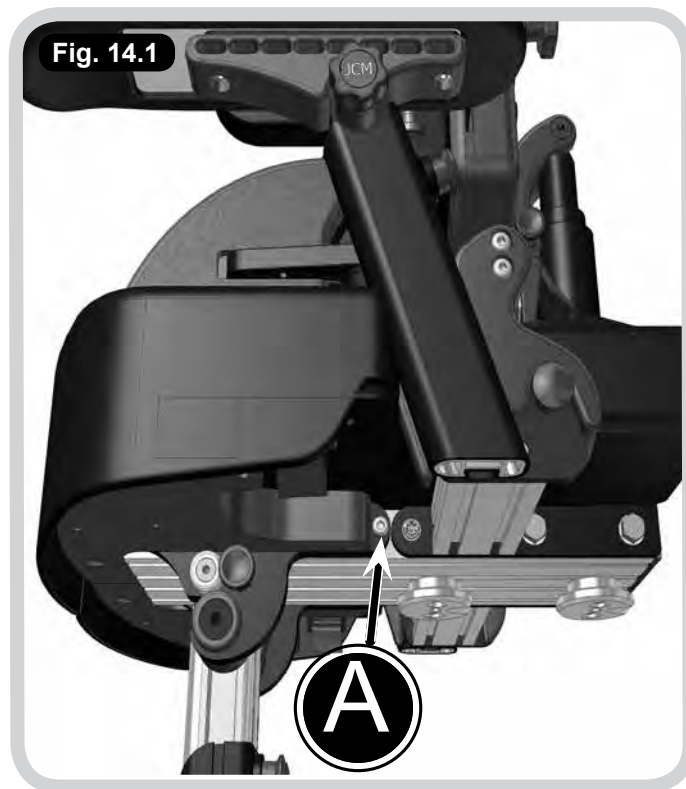


Fig. 15.1

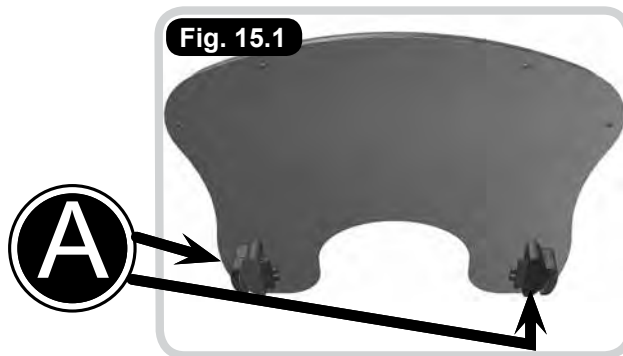
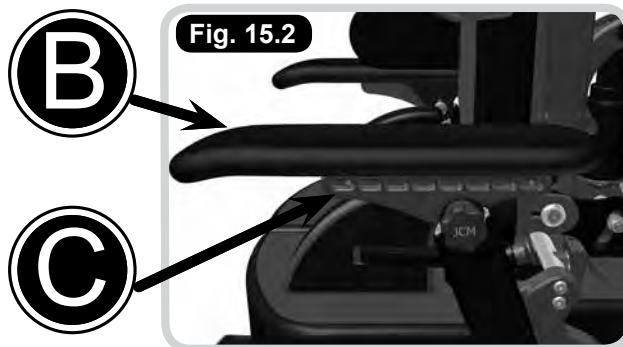


Fig. 15.2



16.0 Réglage des coussinets

Réglage du coussinet sacré (Fig. 16.1)

Hauteur du coussinet

- Dégagez délicatement le coussinet de l'armature.
- Desserrez les vis hexagonales (A) du coussinet sacré (2 vis).
- Glissez le coussinet vers le haut ou le bas le long du rail de réglage.
- Une fois la hauteur souhaitée obtenue, resserrez les vis.

Angle et profondeur du coussinet

- Desserrez la vis (B) d'un tour entier à l'aide de la clé à six pans de 4 mm fournie (pensez à desserrer les deux vis, droite et gauche)
- Vous pouvez maintenant déplacer librement le coussinet vers l'avant ou l'arrière et régler l'angle.
- Placez-le à la position désirée, puis resserrez les vis.
- Remarque : Le coussinet pour sacrum peut également permettre un degré de réglage de pivotement. Pour cela, vous devez régler la position avant/arrière et droite/gauche indépendamment.

Réglage du coussin de hanche (Fig. 16.2)

Largeur d'ouverture des coussins de hanche

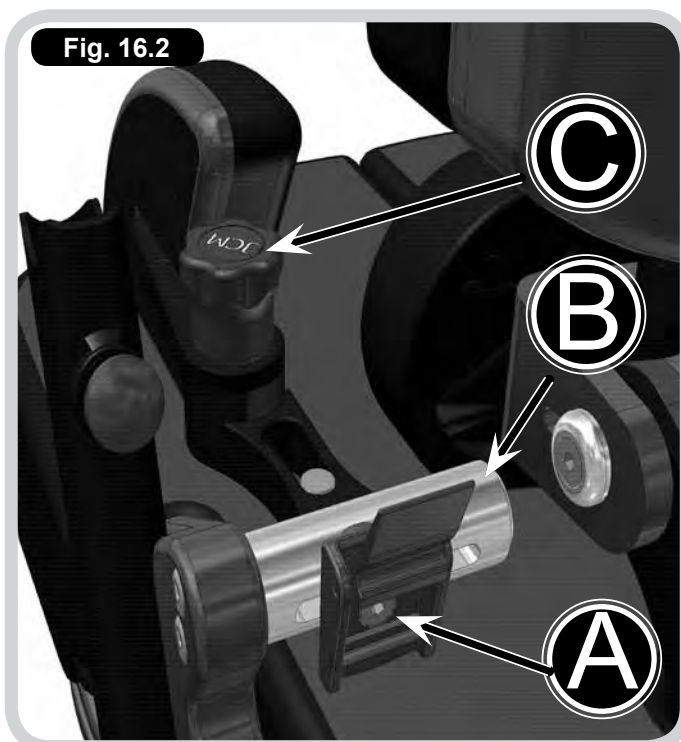
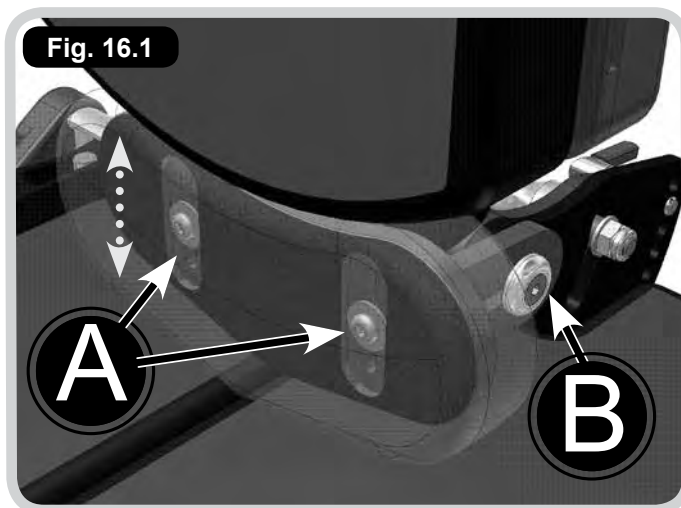
- Desserrez la vis hexagonale (A) d'un tour complet à l'aide de la clé à six pans de 4 mm fournie.
- Vous pouvez maintenant déplacer librement le coussin de hanche le long du rail de réglage (B).
- Placez-le à la position désirée, puis resserrez la vis.

Angle du coussin de hanche (selon les modèles)

- Pour régler l'angle du coussin, desserrez la molette (C) en la tournant de plusieurs tours dans le sens anti-horaire.
- Tout en maintenant enfoncée la molette d'une main, positionnez le coussin de l'autre main.
- Une fois la position désirée du coussin obtenue, relâchez la molette et resserrez-la dans le sens horaire.

ATTENTION !

Angle de l'accoudoir – Il est possible de régler l'accoudoir sans maintenir la molette enfoncée, cependant cette pratique risque de raccourcir la durée de vie du mécanisme de verrouillage et n'est donc pas recommandée.



Réglage des supports de cuisse (Fig. 16.3 - 16.5)

Ces coussinets permettent de placer l'utilisateur en position d'abduction, une position susceptible d'améliorer le tonus musculaire, de créer une base d'assise élargie et de maintenir les hanches dans une bonne position.

Installation et réglage du support de cuisse interne

- Pour installer les supports de cuisse internes, insérez les vis A et les rondelles B dans la plaque de support et les orifices prévus à cet effet sous le siège.
- Serrez chaque vis à l'aide de la clé à six pans de 4 mm fournie.
- Une fois que le support est en place (sans être complètement serré), poursuivez avec l'autre support.

Position d'abduction des jambes

- Alors que les vis A n'ont toujours pas été complètement serrées, pivotez le support de cuisse interne à la position désirée.
- Une fois la position désirée obtenue, serrez les vis à l'aide de la clé à six pans de 4 mm fournie.

Abaissement du support de cuisse interne (pour faciliter les transferts)

- Maintenez enfoncé le bouton C pendant que vous rabattez le support de cuisse interne.
- Pour remonter le support de cuisse interne, il suffit de le ramener en position jusqu'à ce qu'il s'enclenche.

Installation et réglage du support de cuisse externe

- Pour installer les supports de cuisse externes, insérez les vis A et les rondelles B dans la fixation de l'abducteur métallique, dans les orifices prévus à cet effet.
- Serrez chaque vis à l'aide de la clé à six pans de 4 mm fournie.
- Une fois que le support est en place (sans être complètement serré), poursuivez avec l'autre support.

Position d'abduction des jambes / Réglage de la largeur d'ouverture

- Alors que la vis A n'a toujours pas été complètement serrée, coulissez le support de cuisse externe le long de la rainure, à la position désirée.
- Une fois la position désirée obtenue, serrez les vis à l'aide de la clé à six pans de 4 mm fournie.



Fig. 16.3

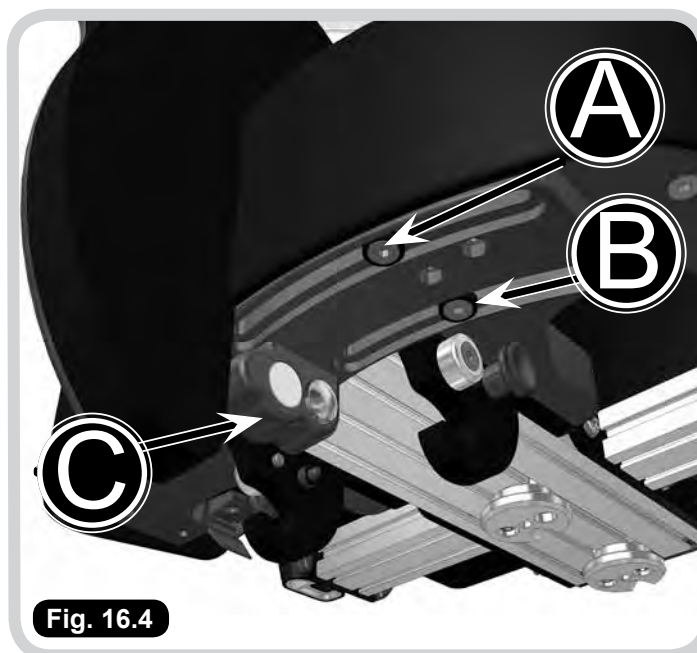


Fig. 16.4

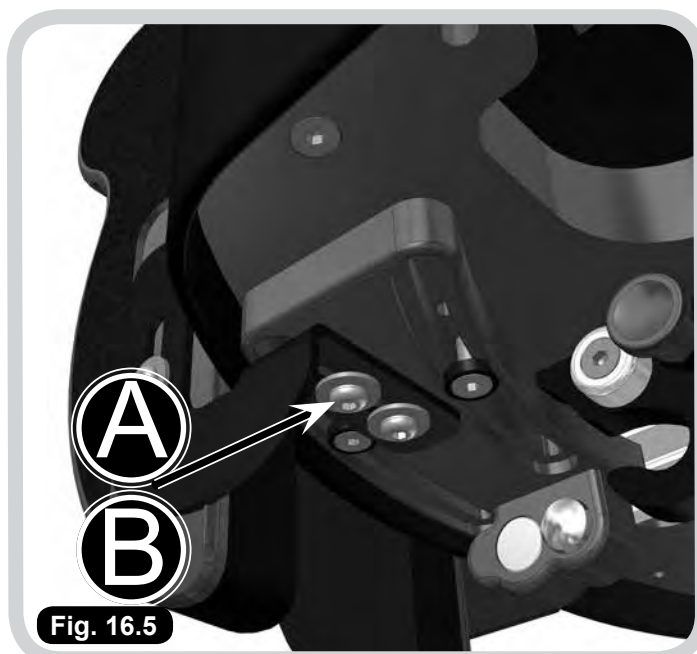


Fig. 16.5

17.0 Réglage de l'appui-tête

Réglage de l'angle des oreillettes latérales de l'appui-tête

Ce point de réglage permet de positionner l'oreillette latérale de l'appui-tête pour obtenir le support nécessaire. Ce point de réglage vous permet de modifier l'angle d'inclinaison de l'appui-tête pour soutenir au mieux la tête et la nuque.

- Ouvrez la fermeture Éclair de la housse de l'appui-tête, puis desserrez le levier de verrouillage (A).
- Réglez les oreillettes latérales à la position désirée.
- Une fois la position désirée obtenue, resserrez la vis.

Vous pouvez appliquer la procédure suivante pour l'une ou l'autre oreillette latérale, indépendamment.

Réglage de l'angle d'inclinaison de l'appui-tête

- Il convient d'actionner les leviers (B) simultanément pour obtenir le bon positionnement de la tête de l'utilisateur. Pour les desserrer, tournez les leviers dans le sens anti-horaire.
- Réglez ensuite manuellement l'angle d'inclinaison de l'appui-tête en fonction de l'utilisateur.
- Une fois la position désirée obtenue, resserrez les leviers.

Réglage de la hauteur de l'appui-tête

- Desserrez la molette (C).
- Faites coulisser l'appui-tête vers le haut ou le bas à la hauteur désirée.
- Une fois la position désirée obtenue, resserrez la molette.

AVERTISSEMENT !

Vérifiez toujours que l'appui-tête est bien fixé et que les oreillettes latérales ne sont pas trop serrées autour de la tête. Le réglage optimal des oreillettes latérales de l'appui-tête est de 45° par rapport à l'arrière du fauteuil.

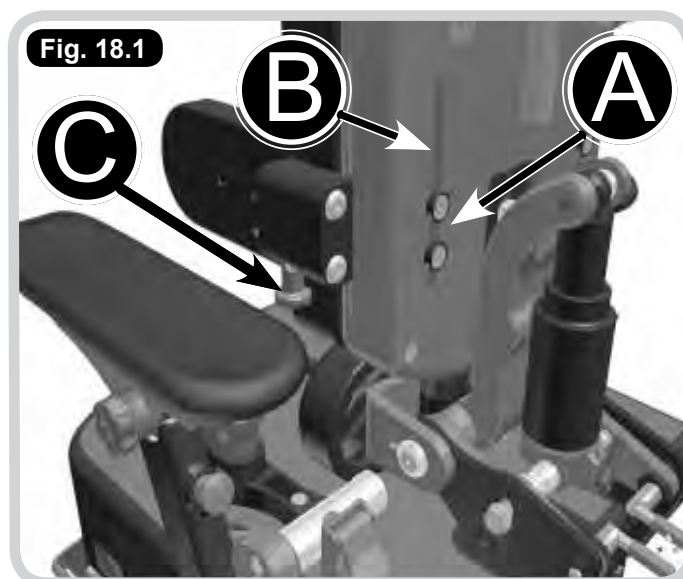
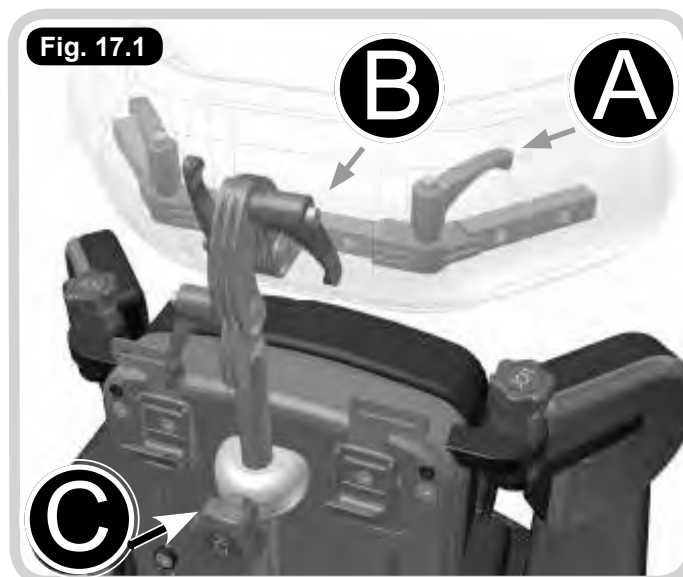
18.0 Réglage des cales tronc

Hauteur et largeur des cales tronc

- Desserrez les deux vis (A) à l'aide de la clé à six pans fournies.
- Glissez les coussinets vers le haut ou le bas le long du rail (B) pour régler la hauteur.
- Glissez les coussinets horizontalement pour régler la largeur.
- Resserrez les vis.

Cales tronc escamotables (selon les modèles)

- Tirez le piston (C) vers le bas.
- Écartez les cales tronc pour faciliter le transfert ou la préparation du siège.
- Pour remettre les cales tronc en place, repoussez-les jusqu'à ce qu'elles s'enclenchent.



AVERTISSEMENT !

Passer un doigt autour des cales tronc pour vérifier qu'ils ne montent pas trop haut sous le bras ou qu'ils ne compriment pas la poitrine de l'utilisateur. Assurez-vous que les supports ne compromettent pas le positionnement d'éventuelles sondes d'alimentation.

19.0 Réglage de l'accoudoir

Réglage de la hauteur de l'accoudoir

- Le piston (A) permet de régler la hauteur de l'accoudoir, et par conséquent la hauteur de la tablette.
- Tirez le piston (A) vers l'extérieur, dans la direction opposée de l'accoudoir. Tout en maintenant le piston sorti, faites coulisser l'accoudoir vers le haut ou le bas. Les orifices deviennent visibles au fur et à mesure que vous montez l'accoudoir.
- Une fois la position désirée obtenue, relâchez le piston tout en vérifiant qu'il se remet bien en place.

Réglage de l'angle de l'accoudoir

- Pour régler l'angle du coussinet, desserrez la molette (B) en la tournant de plusieurs tours dans le sens anti-horaire.
- Tout en maintenant enfoncée la molette d'une main, positionnez le coussinet de l'autre main.
- Une fois la position désirée du coussinet obtenue, relâchez la molette et resserrez-la dans le sens horaire.

ATTENTION !

Le piston (B) doit pouvoir être tiré sans forcer. Si vous sentez une résistance, vérifiez que rien ne fait pression contre l'accoudoir.

Retrait de l'accoudoir

(Facilite les transferts latéraux)

- Pour retirer l'accoudoir intégral (y compris les coussinets de hanches), tirez le piston (C) vers l'extérieur à l'aide d'une main et maintenez-le sorti. De l'autre main, soulevez l'accoudoir vers le haut.
- Pour le remettre en place, inversez la procédure : tout en maintenant le piston sorti, abaissez l'accoudoir de manière à ce qu'il vienne se placer sur sa plaque de fixation (D). Relâchez le piston et vérifiez qu'il revient bien à sa place.

AVERTISSEMENT !

Avant d'utiliser le fauteuil, vérifiez toujours que les accoudoirs sont bien en place.

ATTENTION !

Angle de l'accoudoir – Il est possible de régler l'accoudoir sans maintenir la molette enfoncée, cependant cette pratique risque de raccourcir la durée de vie du mécanisme de verrouillage et n'est donc pas recommandée.

Fig. 19.1

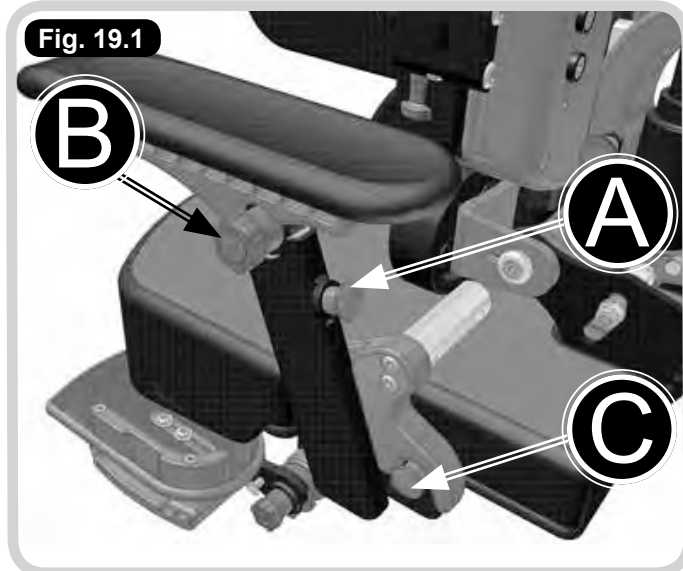
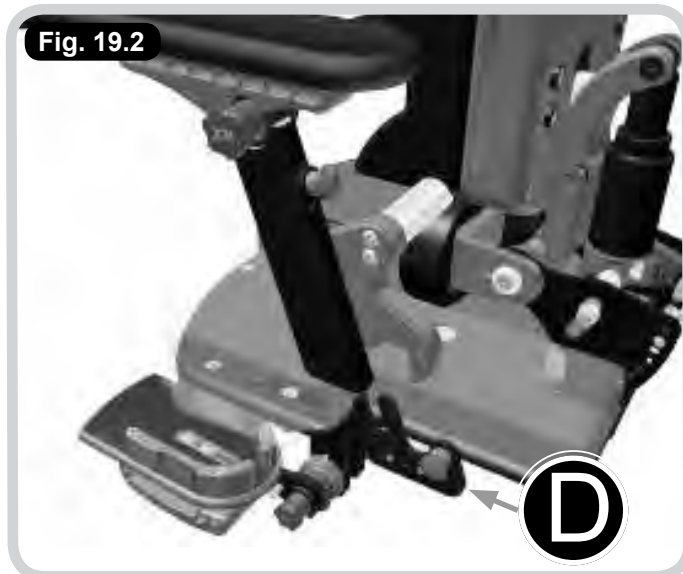


Fig. 19.2



20.0 Réglage / Dépose des repose-pieds

Version séparée :

REMARQUE : Lorsque le fauteuil est doté de repose-pieds/palettes séparés, il est possible de régler l'angle de la jambe gauche et de la jambe droite indépendamment l'une de l'autre. Pour cela, suivez les consignes ci-dessous pour chaque repose-jambe.

Réglage de l'inclinaison

- D'une main, tirez et maintenez le piston A sorti, tandis que de l'autre main, vous réglez le repose-pied à l'angle d'inclinaison désiré.
- Une fois l'angle désiré obtenu, relâchez le piston à sa position de verrouillage.
- Vérifiez que le piston a bien repris sa place.

Dépose du montant du repose-pieds

Facilite les transferts latéraux.

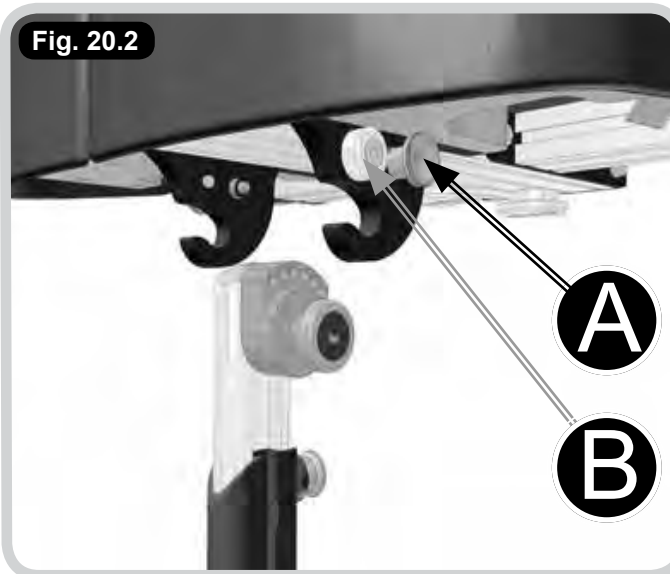
REMARQUE : Le retrait des palettes facilite également le pliage et le rangement du siège en vue de le transporter ou lorsque le siège est prévu pour un châssis doté de ses propres repose-pieds.

- Pour retirer les montants des repose-pieds intégralement (avec les palettes), dévissez le boulon de sécurité B à l'aide de la clé à six pans de 4 mm fournie.
- Une fois le boulon retiré, tirez et maintenez sorti le piston A à l'aide d'une main, tandis que de l'autre main vous faites pivoter le montant et le dégagez du crochet.
- Pour le remettre en place, inversez la procédure : positionnez la fixation du montant dans le crochet C tout en maintenant le piston sorti. Relâchez le piston et vérifiez qu'il revient bien à sa place.
- Revissez le boulon de sécurité à l'aide de la clé à six pans de 4 mm fournie.

Fig. 20.1



Fig. 20.2



21.0 Réglage de la position du pied

Réglage de l'angle d'inclinaison des palettes du repose-pieds

- Pour régler l'angle de la palette, desserrez la molette de verrouillage (A) en la tournant de plusieurs tours dans le sens anti-horaire.
- Tout en maintenant enfoncée la molette d'une main, positionnez la palette de l'autre main.

Une fois la position désirée obtenue, relâchez la molette et resserrez-la dans le sens horaire.

Pour relever la palette

Facilite les transferts latéraux.

- Enfoncez le bouton B à l'aide d'une main, tandis que de l'autre main vous relevez la palette.
- Pour la rabaisser, il suffit de la faire pivoter vers le bas jusqu'à ce qu'elle s'enclenche.

Hauteur de la palette

- D'une main, tirez et maintenez sorti le piston C, tout en saisissant la palette de l'autre main.
- La tige de la palette doit normalement coulisser librement vers le haut ou le bas du montant du repose-pieds.
- Glissez la palette à la hauteur désirée, puis relâchez le piston qui s'insère alors dans l'orifice de verrouillage le plus proche.
- Avant d'utiliser le siège, vérifiez que le piston est bien enclenché.

Positionnement du repose-pied

REMARQUE : Le repose-pied/palette se règle à la largeur du pied, vers l'avant et l'arrière, de gauche à droite (largeur entre les pieds) et en fonction de l'angle (conjointement avec Ab/Adduction). Chacun de ces réglages est expliqué ci-dessous.

Largeur du pied

- Desserrez les vis hexagonales (D) d'un demi-tour dans le sens anti-horaire à l'aide de la clé à six pans de 4 mm fournie.
- Glissez le cale-talon vers l'intérieur ou l'extérieur afin de rétrécir ou d'élargir l'espace pour le pied.
- Répétez pour l'autre pied si nécessaire, puis resserrez les vis D.

Fig. 21.1

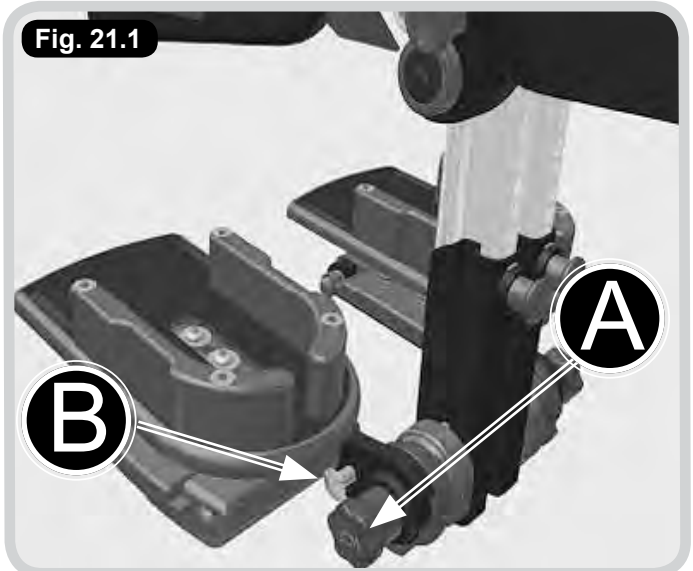
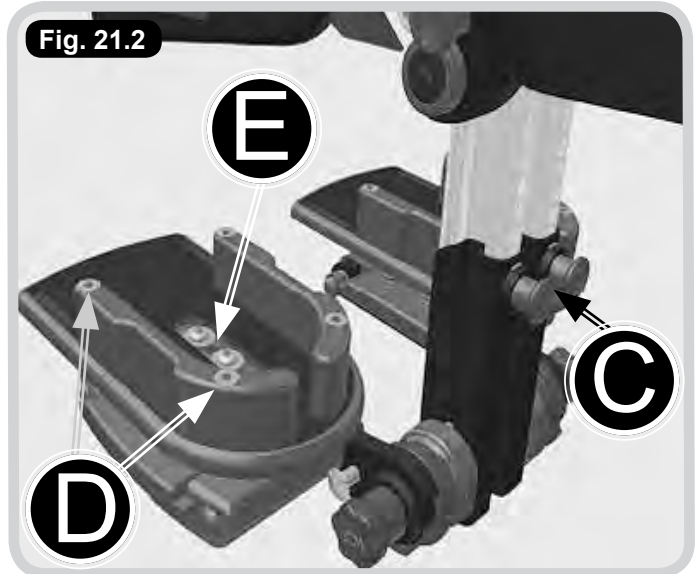


Fig. 21.2



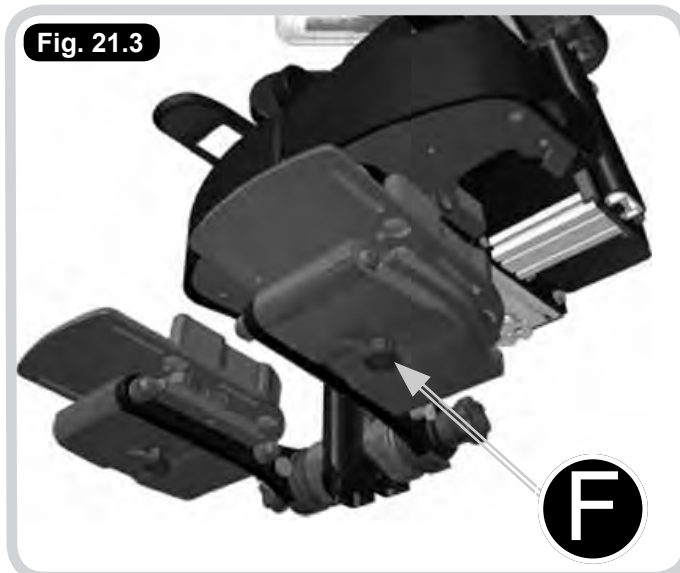
Rotation avant et arrière

- Desserrez les vis hexagonales (E) d'un demi-tour dans le sens anti-horaire à l'aide de la clé à six pans de 4 mm fournie.
- Glissez le repose-pied entier vers l'avant ou l'arrière tout en faisant pivoter la plaque à l'angle désiré.
- Une fois l'angle désiré obtenu, resserrez les vis (E).

Repose-pieds côte-à-côte / Réglage de la largeur

- D'une main, tirez et maintenez sorti le piston F, tout en saisissant la palette de l'autre main.
- Le repose-pied doit normalement coulisser librement d'un côté ou de l'autre afin de rapprocher ou de séparer les pieds, selon le besoin.
- Une fois la position désirée obtenue, relâchez le piston qui s'insère alors dans l'orifice de verrouillage le plus proche.
- Avant d'utiliser le siège, vérifiez que le piston est bien enclenché.

Fig. 21.3



Sangle cale-pieds

Vous pouvez installer un cale-pieds ou une chevillière à travers les fentes du repose-pied afin de maintenir les pieds en place. Faites passer la sangle à travers la boucle, puis fermez la boucle.



AVERTISSEMENT !

N'utilisez des sangles cale-pieds que si le patient porte des chaussures.



ATTENTION !

- Le piston (C) doit pouvoir être tiré sans forcer. Si vous sentez une résistance, vérifiez que rien ne fait pression contre le repose-pied.
- Angle du repose-pied – Il est possible de régler le repose-pied sans maintenir la molette enfoncée, cependant cette pratique risque de raccourcir la durée de vie du mécanisme de verrouillage et n'est donc pas recommandée.

22.0 Configuration du dossier dynamique

DANGER !

- Ne modifiez en rien le système d'amortissement. La modification, l'entretien inadapté ou l'utilisation de pièces détachées autres que Sunrise Medical entraînera la nullité de la garantie et pourrait causer un dysfonctionnement potentiellement dangereux pour l'utilisateur.
- Respectez le calendrier d'entretien. Si le système d'amortissement présente la moindre anomalie, comme la perte d'huile, un bruit inhabituel ou si une pièce est déformée ou cassée, cessez immédiatement d'utiliser le système d'assise et contactez Sunrise Medical pour obtenir de l'assistance.
- Ne tentez jamais d'ouvrir ou de démonter le système d'amortissement. L'ouverture du système d'amortissement pourrait entraîner de graves blessures.

Réglage de la force de résistance et de la force de retour

Pour une performance optimale et un confort maximum, il est nécessaire de régler la force de résistance et la force de retour du mécanisme dynamique (A). La résistance se règle en modifiant la pression d'air. Elle dépend du poids de l'utilisateur, de la position d'assise, du design du siège et des préférences personnelles.

La pression d'air se règle à l'aide d'une pompe à soupape Schrader standard (B) montée sur le clapet d'admission d'air principal du mécanisme dynamique.

Forte résistance :

Augmentation de la pression d'air

Le système d'amortissement est plus difficile à compresser pendant l'utilisation. Le dossier du siège est plus ferme.

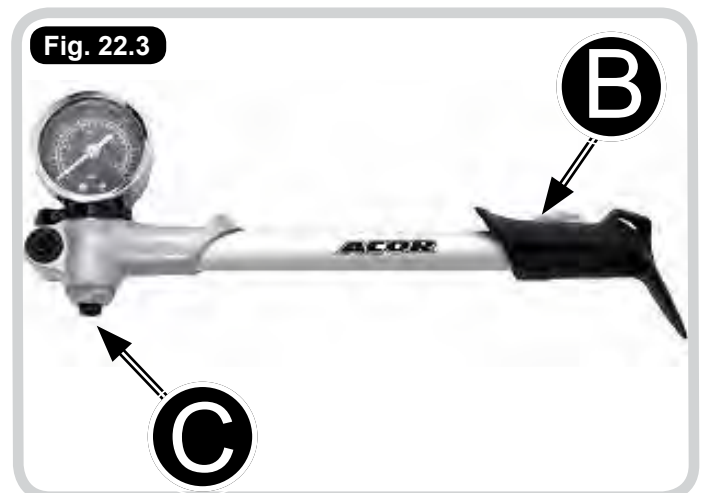
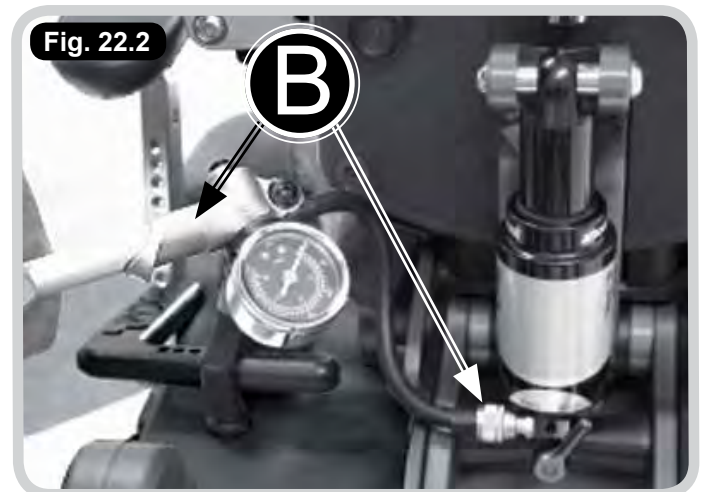
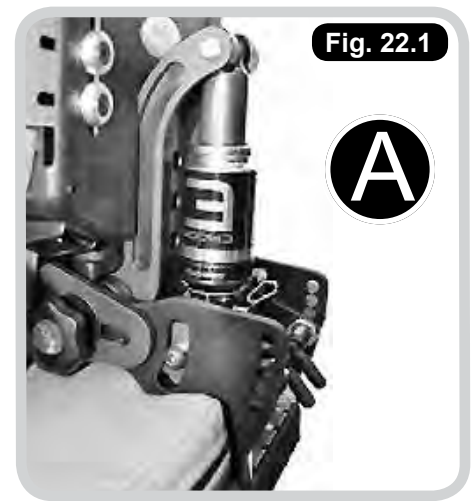
- Fixez la pompe au clapet d'admission d'air à l'arrière du mécanisme dynamique (B).
- Envoyez de l'air dans le clapet pour augmenter la pression.
- Observez le cadran de soupape de pression sur la pompe afin de déterminer la quantité de pression ajoutée.

Faible résistance :

Réduction de la pression d'air

Le système d'amortissement est plus facile à compresser. Le dossier du siège est plus souple.

- Enfoncez le bouton (C) de la pompe et maintenez-le enfoncé jusqu'à ce que la résistance de pression d'air atteigne le niveau requis.



DANGER !

- La plage de pression est comprise entre 50 et 250 psi.
- Ne dépassez jamais la limite de pression d'air de 250 psi dans le système d'amortissement non compressé.
- Tout dépassement de la valeur limite de 250 lbs/pouce pourrait entraîner de graves blessures.

Réglage de la force de retour

La force de retour contrôle la vitesse à laquelle le système d'amortissement se décompresse ou rebondit. La quantité de force de retour nécessaire dépend du poids de l'utilisateur, de la raideur des ressorts (déterminée par la pression d'air), de l'utilisation faite du matériel, de la position d'assise et des préférences personnelles.

Le meilleur moyen de régler la force de retour consiste à la mettre au plus bas en tournant la molette de réglage rouge (D) dans le sens horaire (mention SLOW, "E"). Placez ensuite l'utilisateur dans le fauteuil. Augmentez progressivement l'amortissement en tournant la molette de réglage dans le sens anti-horaire (mention FAST, "E") jusqu'à ce que l'utilisateur soit à l'aise et se sente en sécurité sans que la suspension ne le maintienne trop en avant.

Déconnexion du mécanisme

Il y a des moments dans la journée, comme pendant le repas, où il est nécessaire de déconnecter le mécanisme dynamique. Pour ce faire :

- Verrouillez le système. Pour cela, basculez le levier : de la position "ouverte" mettez-le en position "verrouillée" sur le levier du système d'amortissement (F).
- Le mécanisme ne doit pas rester en position verrouillée durant l'utilisation normale du fauteuil. Une fois terminée l'activité nécessitant le verrouillage du mécanisme dynamique, pensez à remettre le mécanisme en position 'ouverte'.

Programme d'entretien

Le système d'amortissement arrière ne nécessite qu'un entretien minimum consistant en un nettoyage à base d'eau savonneuse.

ATTENTION !

N'utilisez jamais de nettoyeur à haute pression ou de l'eau sous pression pour nettoyer le système d'amortissement, car de l'eau pourrait s'introduire dans le système.

Avant chaque utilisation :

- Vérifiez la pression d'air (la pression d'air du système d'amortissement baisse toujours légèrement avec le temps, cela n'a rien d'anormal) - Vérifiez que la pression convient au profil de l'utilisateur.
- Ajustez le réglage de la force de retour en fonction de l'utilisateur.

Fig. 22.4

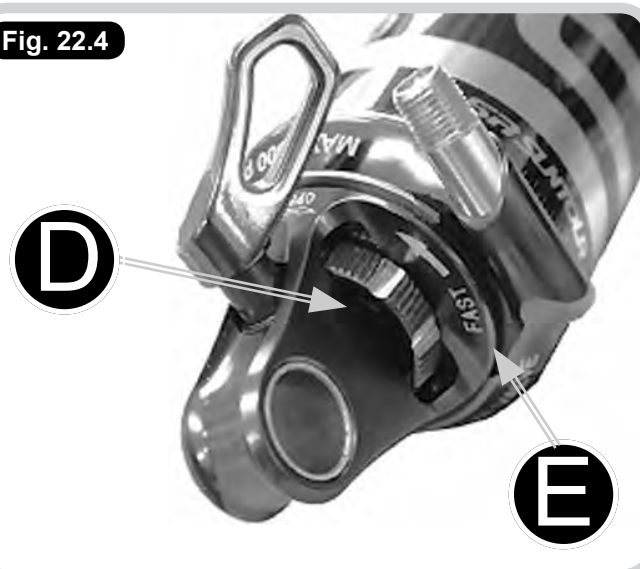


Fig. 22.5



AVERTISSEMENT !

- L'entretien des pièces internes du système d'amortissement ne doit être effectué que par un technicien agréé.
- À noter que le système d'amortissement arrière Sunrise Medical contient de l'huile et de l'azote. Seules les personnes formées à cet effet et possédant les outils spéciaux requis sont habilitées à ouvrir le système d'amortissement arrière. Ne tentez pas d'ouvrir le système d'amortissement arrière car cela comporte des risques de blessures graves. Non seulement vous ne parviendriez pas à le refermer, mais l'ouverture du système d'amortissement arrière entraînerait la nullité de sa garantie.
- En cas de problème avec votre système d'amortissement arrière, cessez d'utiliser votre fauteuil immédiatement et contactez contact Sunrise Medical Seating Solutions.

23.0 Nettoyage et entretien

Pour un nettoyage optimal de votre matériel, respectez les consignes suivantes :

REMARQUE : Un plissement à la surface des matériaux peut éventuellement apparaître au cours de ces procédures.

Entretien des garnitures

Consultez le guide de nettoyage de Sunrise Medical disponible sur [www.Sunrise Medicalseating.co.uk](http://www.Sunrise-Medicalseating.co.uk) ou au format papier dans les locaux de Sunrise Medical. N'utilisez pas d'eau de Javel, de produit acide, de solvant, ni d'agent nettoyant comportant un composé abrasif, biologique ou phénolique.

Armature en métal

- Lors du retrait complet de la garniture, vous pouvez nettoyer l'armature métallique à l'eau savonneuse et au détergent. Vous pouvez également avoir recours au nettoyage à la vapeur. (Après un nettoyage à la vapeur, vérifiez s'il est nécessaire de remplacer les étiquettes apposées sur le fauteuil).
- Veillez à ce que l'armature soit totalement sèche après le nettoyage.
- Pensez à lubrifier les organes réglables ou mobiles.

24.0 Maintenance générale

L'entretien général doit être assuré par un professionnel compétent formé à l'utilisation du matériel (voir garantie - page 33). En l'absence d'une telle personne ou si une inspection plus approfondie est requise, prenez rendez-vous avec un réparateur agréé (voir ci-contre). Pour assurer la validité de votre garantie, le journal des révisions (page 32) doit être rempli à chaque intervention par la personne effectuant l'entretien ou la réparation.

Comme indiqué ci-contre, le degré d'entretien requis dépend de divers facteurs relatifs à l'usage fait du matériel. Outre les consignes de réglages fonctionnels spécifiques énoncées dans le présent manuel, il convient d'effectuer une inspection complète des éléments suivants au moins tous les 6 mois :

REMARQUE : Veuillez vous référer au tableau d'entretien à la page suivante.

REMARQUE : Les éléments énoncés ici valent pour la gamme de produits Sunrise Medical. Certains d'entre eux ne sont pas pertinents pour tous les produits.

Consignes d'entretien

Roues avant	Soulevez la base et inspectez chaque roue avant afin de s'assurer qu'elles ne sont pas endommagées, desserrées ou usées.
Freins	Après avoir éliminé les traces de graisse ou les saletés éventuellement accumulées sur les roues, faites tourner les roues dans le vide et vérifiez que les freins les immobilisent. Vérifiez qu'elles sont solidement maintenues en place et qu'elles ne présentent pas de signe d'usure excessive.
Poignées de poussée	Assurez-vous que les poignées fonctionnent correctement. Vérifiez qu'elles ne présentent aucun signe d'endommagement ou d'usure excessive. Vérifiez que les grips autour des poignées ne tournent pas dans le vide.
Mécanisme de bascule du siège	Après avoir déverrouillé le mécanisme de bascule, vérifiez que ce dernier bouge librement et que le mécanisme, le levier et les câbles ne présentent aucun signe d'endommagement ou d'usure. Resserrez le verrou et vérifiez que le siège est fermement maintenu à l'angle désiré.
Réglage de la hauteur de la base	Après avoir déposé le siège, appuyez sur le levier et vérifiez qu'il peut être actionné librement jusqu'à la hauteur maximale. Pendant une période allant de 10 à 15 minutes environ, ajoutez progressivement du poids supplémentaire jusqu'à la charge maximale (40, 60, 80 ou 100 kg). Vérifiez que le siège ne s'affaisse pas. Si cette procédure est difficile à mettre en application, tout de suite après l'inspection d'entretien, placez un utilisateur dans le fauteuil et observez la position statique du siège. Une fois la charge installée, appuyez sur le levier et vérifiez que le siège descend librement jusqu'à sa position la plus basse.
Garniture de dossier / de siège	Vérifiez que les points d'attache de la garniture du dossier et du siège sont bien serrés. Inspectez la garniture pour déceler tout signe d'usure. Si la garniture est usée, elle peut devenir inconfortable pour l'utilisateur, difficile à nettoyer et entraîner une irritation de la peau.
Interface	Vérifiez qu'elles ne présentent aucun signe d'endommagement ou d'usure excessive. Vérifiez que la fonction remplit son rôle correctement.
Châssis Si les consignes d'entretien ont été respectées, le châssis ne doit présenter aucune anomalie pendant au moins 5 années, mais, selon les conditions d'utilisation, l'usure du matériel sera inévitable et nécessitera une inspection attentive.	Inspectez toutes les pièces métalliques afin de déceler tout éventuel signe d'endommagement ou d'usure. Prêtez une attention particulière aux organes réglables ou mobiles. Vérifiez l'intégrité des joints et des soudures. Vérifiez le serrage de tous les boulons, fixations, écrous, composants à ressort et autres. Inspectez et remplacez les pièces qui présentent des signes d'usure ou qui se desserrent régulièrement. Les POINTS D'ATTACHE (selon les modèles) utilisés lors du transport du fauteuil doivent être inspectés pour vérifier leur intégrité et garantir la sécurité.
Accessoires fixes	Vérifiez l'état des manchettes et de l'appuie-tête. Remplacez-les s'ils sont usés.

En quoi consiste une révision ?

La révision est l'ensemble des tâches d'inspection, d'entretien et de réparation ou de remplacement de composants usés, défectueux ou manquants. La croissance et le changement des besoins des utilisateurs depuis l'évaluation initiale est prise en compte lors de la révision. La révision diffère de l'entretien général (ci-contre), lequel implique des vérifications, des inspections et des réglages simples et élémentaires.

Que se passe-t-il en cas de détection d'une anomalie ?

En cas de détection d'une anomalie jugée dangereuse pour l'utilisateur ou l'opérateur, l'utilisation du matériel doit immédiatement cesser jusqu'à la réparation.

Qui effectue la révision ?

Seul un technicien agréé par Sunrise Medical ou toute personne ayant suivi la formation pour les appareils médicaux de catégorie 1 est autorisée à effectuer la révision.

Le matériel ne doit en aucun cas être modifié sans l'accord préalable de Sunrise Medical Seating Solutions Ltd. Il est important de comprendre que toute modification non autorisée présente un risque pour les utilisateurs et les accompagnateurs. Toute modification non autorisée entraînera également la nullité de la garantie.

Toutes les pièces détachées utilisées doivent être des pièces Sunrise Medical Seating Solutions Ltd. et être installées conformément aux spécifications de Sunrise Medical.

Fréquence des révisions

Sunrise Medical recommande de faire réviser le matériel au moins tous les 6 mois. Cependant, la fréquence des inspections et des révisions doit être adaptée à l'intensité d'utilisation faite du matériel. Si le système est utilisé de l'une des façons suivantes, l'utilisation faite du matériel est alors réputée relativement intense et constante. Dans ce cas-là, nous recommandons de faire procéder à une révision tous les trois mois :

- Utilisation quotidienne : 8 à 10 heures.
- Utilisation hebdomadaire : au moins 6 jours sur 7.
- Utilisation mensuelle : au moins 11 mois par an.
- Utilisateur actif ou utilisateur très actif volontairement ou pas.
- Utilisateur dont le poids représente plus de 80 % du poids maximum recommandé.
- Transport à bord d'un véhicule motorisé au moins deux fois par jour.

ATTENTION !

Si les conditions d'utilisation dépassent les valeurs énoncées ci-dessous, une révision toutes les 6 semaines, voire plus fréquente, pourrait alors être préconisée.

Comment prendre rendez-vous pour une révision ?

Sunrise Medical emploie des techniciens formés pour assurer la révision de votre matériel. Pour confier votre fauteuil à Sunrise Medical ou pour obtenir de plus amples informations, n'hésitez pas à nous contacter au 01733 405830.

Vous pouvez également contacter la personne qui vous a prescrit ce matériel.

26.0 Journal des révisions

Ce journal est un document important reflétant l'utilisation faite du matériel et l'entretien qui y est apporté. Il permet d'anticiper les futurs révisions et entretiens. Il convient de le remplir lors de chaque inspection, révision ou toute autre intervention. Sunrise Medical Seating Solutions Ltd. exigera l'obtention des preuves d'entretien lors de l'invocation de garantie ou de commande.

Numéro de série du système d'assise _____

Date de livraison _____ / _____ / _____

Date limite d'utilisation de la batterie _____ / _____ / _____

Date	Révision effectuée	Organisation	Nom (en lettres capitales) et signature

Pour obtenir des feuilles de journal supplémentaires, contactez Sunrise Medical.

27.0 Inspection et vente du matériel

Les produits Sunrise Medical Seating Solutions Ltd. font en général l'objet d'une évaluation des besoins personnels de l'utilisateur avant d'être remis à l'utilisateur. Lors de la remise du matériel, des vérifications sont effectuées et des consignes verbales complémentaires dispensées. Nous recommandons donc le strict respect des consignes suivantes avant de fournir le matériel à un nouvel utilisateur :

Nettoyage

Suivez une procédure de nettoyage rigoureuse en vue de décontaminer le produit et d'éliminer les risques d'infection croisée.

Inspection des garnitures / Mousses

Inspectez attentivement l'état des garnitures et des mousses de l'assise et n'hésitez pas à les remplacer partiellement ou intégralement en cas de besoin. Dans les rares cas où le châssis est excessivement abimé et l'assise en piètre état, il pourra s'avérer nécessaire de procéder à la remise à neuf par le fabricant. Dans les cas extrêmes où le châssis serait sérieusement abimé et l'assise en très mauvais état, il convient de mettre le produit hors service et de procéder à son élimination.

Mise hors service des composants électriques et électroniques

Si votre produit est doté d'une fonction électrique, contactez Sunrise Medical ou votre représentant agréé pour obtenir des informations relatives à sa mise hors service.

Adéquation du matériel

Assurez-vous que le matériel fourni est adapté aux besoins de l'utilisateur en tenant compte de son âge, son poids, sa motricité, son état de santé et tout autre facteur pertinent. À titre d'exemple, les produits Sunrise Medical Seating Solutions Ltd. ne sont pas toujours adaptés aux personnes présentant des modèles de comportement particulièrement difficiles. Assurez-vous également que le nouvel utilisateur respecte les limites d'utilisation spécifiées. Votre représentant commercial sera en mesure de vous conseiller et de se prononcer sur le caractère approprié du matériel.

Manuels et consignations

Veillez à remettre le présent manuel ainsi que tout autre manuel supplémentaire relatif au système d'assise au nouvel utilisateur du matériel, et vérifiez que le journal des révisions est tenu à jour. Les coordonnées du nouvel utilisateur doivent être consignées à des fins de traçabilité.

Inspection

Le matériel doit faire l'objet d'une inspection rigoureuse avant d'être remis à un nouvel utilisateur. L'inspection doit comprendre les vérifications préconisées dans l'inspection de routine semestrielle, même si lesdites vérifications ont été effectuées peu de temps au préalable. Le matériel ne doit présenter aucune usure ou distorsion excessive dans sa structure et ses accessoires.

État

Les roues, les pneus et les freins doivent être en bon état de fonctionnement, correctement réglés et gonflés.

Accessoires

Inspectez soigneusement tous les accessoires afin de déceler tout éventuel signe d'endommagement ou tout défaut susceptible de représenter un risque pour l'utilisateur.

Fonction

Vérifiez le bon fonctionnement de toutes les fonctions du fauteuil notamment le mécanisme de basculement d'assise, de réglage de la hauteur, d'inclinaison du dossier, de pliage du fauteuil, etc.

Fixations

Vérifiez que tous les écrous, boulons, molettes, boutons et autres fixations sont en bon état et correctement serrés.

Modifications

Les modifications, adaptations ou interventions similaires, y compris l'ajout d'accessoires, peuvent nécessiter une nouvelle inspection. Si celles-ci s'avèrent être inappropriées, des mesures correctives seront prises pour rétablir le matériel à sa configuration initiale (si cela est réalisable et ne présente aucun danger).

Étiquetage

Toute étiquette spécifique à l'ancien utilisateur doit être retirée et remplacée par des étiquettes pertinentes pour le nouvel utilisateur.

Réglage

Seuls des professionnels qualifiés et expérimentés sont habilités à régler et adapter le matériel aux besoins du nouvel utilisateur. Ces réglages, ainsi que les éventuels tests et vérifications, doivent être effectués avec l'accord du propriétaire.

Changement d'utilisateur

Lors de la remise du matériel à son nouvel utilisateur ou à l'accompagnateur, fournissez les explications et les conseils de sécurité utiles, en particulier ceux portant sur le transport du matériel.

Emballage

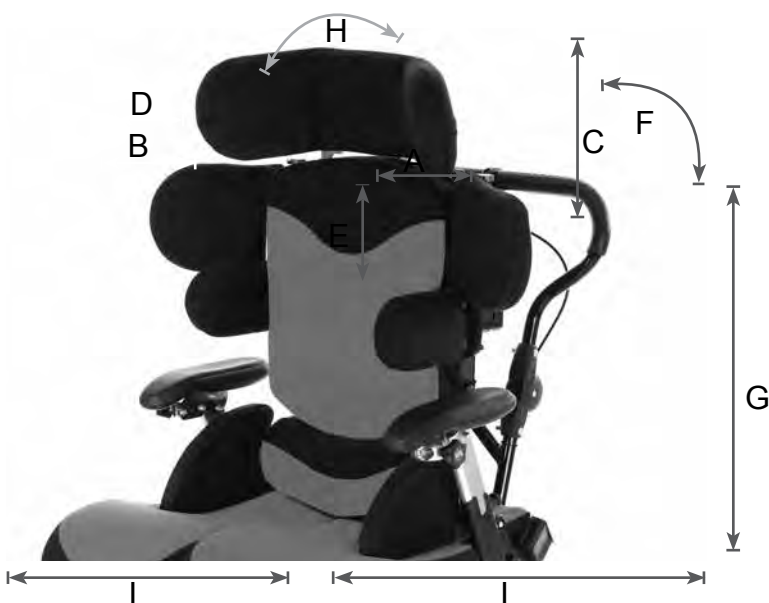
Vérifiez que le fauteuil est correctement emballé.

Poignée

À noter que la poignée montée sur le siège dépend de la taille du siège. Vérifiez que l'étiquette de taille apposée sur la poignée correspond à la taille du fauteuil utilisé.

Misure e informazioni utili

MISURE (mm)	Pluton 1		Pluton 2		Pluton 3		Note
	MIN.	MAX.	MIN.	MAX.	MIN.	MAX.	
A Profondità del sedile	200	350	300	450	400	550	
B Ampiezza del sedile (fra le anche)	150	250 (315)	230	330 (395)	310	410 (475)	(mm) – Con rimozione delle imbottiture del bacino
C Da sedile alla sommità delle spalle	300	440	390	560	480	680	
D Ampiezza del torace	150	270	230	350	310	430	
E Da seduta ad appoggiapiedi	190	370	260	440	330	510	Per la lunghezza delle gambe vi sono 2 impostazioni per raggiungere la posizione Min/Max
F Da sedile a inclinazione schienale							
Peso sedile	14,5 kg		17,0 kg		19,5 kg		Linee guida (compresi braccioli, sostegni per le anche, sostegni laterali e pedane)
Carico ammesso							Fare sempre riferimento alla capacità del telaio
Linee guida per l'età	4-9 anni		8-13 anni		12-adulto		
Misure quando dotato di base a più altezze e inclinabile							
G Da sedile a pavimento			Ruote piroettanti 100 mm: Min – 355 / Max – 815			Misura standard 100 mm	
H Angolo di inclinazione/posizione prona							
I Ingombro della base							
<p>Il modello Pluton è un sistema di seduta modulare che consente di specificare il tipo di sedile, di schienale e l'ampiezza/lunghezza del supporto per le gambe. Il sistema di seduta verrà così realizzato per garantire a priori il migliore adattamento all'utente e il livello di sviluppo ottimale. Le dimensioni qui fornite sono quelle standard disponibili.</p>							



Tenere presente che tutte le misure fornite sono solo indicative. Sunrise Medical può adattare questo prodotto a requisiti specifici. I nostri specialisti di prodotto valuteranno il bambino per assicurare che il prodotto sia adeguato agli scopi previsti, attuali e futuri.

Introduzione

Gentile Cliente,

ci congratuliamo con Voi per aver scelto un prodotto SUNRISE MEDICAL di alta qualità.

Il modello Pluton è stato progettato per garantire comodità e supporto posturale. Il sistema è disponibile in cinque misure adatte a bambini da 6 anni fino all'età adulta.

Questo manuale di istruzioni contiene alcune informazioni molto importanti sul sistema di seduta Plutone: come utilizzarlo in sicurezza e come ottenere dallo stesso i migliori risultati possibili. Prima di usare questo prodotto si raccomanda di leggere tutte le informazioni contenute in questo manuale che deve essere conservato per futuro riferimento. Accertarsi che chiunque utilizzi questo prodotto abbia preso visione del contenuto di questo manuale e che abbia compreso come utilizzare il prodotto in sicurezza.

Queste istruzioni descrivono le procedure di regolazione per gli assistenti e offrono anche informazioni sull'utilizzo in sicurezza, sulla manutenzione, sui controlli e sul corretto montaggio del sistema destinate a chiunque utilizzi questo sistema di seduta.

In ogni caso, il sistema deve essere fornito da un professionista qualificato che si occuperà della regolazione del sistema stesso, della sua adeguatezza e del collaudo in modo appropriato.

Il sistema di seduta deve essere regolato unicamente da personale qualificato e da persone adeguatamente addestrate. Per altre informazioni, non esitate a contattarci utilizzando i dati di contatto qui di seguito riportati:

Grazie per aver acquistato il nostro prodotto; ci auguriamo che possiate apprezzare il nostro sistema di seduta.

Utilizzo

Utilizzo con accompagnatore: i sistemi di seduta sono destinati unicamente all'utilizzo da parti di utenti non in grado di camminare o con mobilità limitata, in ambienti chiusi o all'aperto.

La portata massima (rappresentata dal peso dell'utente più il peso di eventuali accessori montati sulla carrozzina e di oggetti trasportati dall'utente) è indicata sull'etichetta del numero di serie, situata sulla crociera o sulla barra stabilizzatrice sotto il sistema di seduta.

La garanzia è valida soltanto se il prodotto viene impiegato alle condizioni prescritte e secondo le destinazioni d'uso specifiche.

La durata prevista del prodotto è 5 anni.

NON usare o montare sul sistema di seduta componenti di altri produttori, a meno che non siano stati specificatamente approvati da Sunrise Medical.

ATTENZIONE!

- Non montare alcuna apparecchiatura elettronica non approvata.
- Non montare dispositivi di mobilità autonomi o meccanici, né qualsiasi altro dispositivo che modifichi la destinazione d'uso o la struttura del sistema di seduta.
- Qualsiasi combinazione con altri dispositivi medici richiede l'approvazione di Sunrise Medical.

Area di applicazione

La varietà dell'equipaggiamento e la struttura modulare consentono l'impiego della carrozzina da parte di utenti non in grado di camminare o con mobilità limitata a causa di:

- Paralisi
- Perdita di uno o di entrambi gli arti inferiori (amputazione)
- Difetti/Deformità degli arti inferiori
- Contratture/Danni articolari
- Malattie quali insufficienza cardiaca o respiratoria, disturbi dell'equilibrio o cachessia.
- Per la scelta del modello, occorre anche considerare la statura, il peso corporeo, le condizioni psicofisiche, l'età del bambino, le condizioni di vita e l'ambiente in cui vive.

Condizioni di utilizzo





Con l'accompagnatore il sistema di seduta può essere usato sia all'interno che all'esterno, su superfici asciutte e relativamente prive di asperità. Se ne sconsiglia l'uso durante un temporale, in caso di pioggia battente, neve e ghiaccio o altre condizioni climatiche estreme.

Misure e informazioni utili	100
Introduzione	101
Utilizzo	101
Area di applicazione	101
Sommario	102
Definizioni	103
Definizione dei termini usati in questo manuale	103
1.0 Avvertenza di sicurezza importante	104
2.0 Garanzia	105
3.0 Freni	106
Attivazione dei freni (telai della base per interni)	106
Inserimento dei freni	106
Rilascio dei freni	106
4.0 Bretellaggio toracico – Regolazioni	106
Bretellaggio toracico	106
Fissaggio sul sistema di seduta Pluton	107
Come allacciare le cinture	107
5.0 Sicurezza della cintura pelvica	107
Fissaggio della cintura pelvica	107
Posizionamento del bretellaggio e della cintura pelvica	108
6.0 Punti di regolazione e uso della leva	109
Punti di regolazione sotto la seduta (fig. 6.1)	109
Efficacia delle leve di blocco (se presenti)	109
7.0 Uso della leva – Uso dei perni di fissaggio graduati	110
Uso dei perni di fissaggio graduati	110
(solo sistema di blocco tipo Variety)	110
8.0 Regolazione dei protractor per le spalle	110
Imbottitura superiore dello schienale / Ampiezza spalle	110
Imbottitura superiore dello schienale /	
Angolo di protrazione	110
9.0 Sedile	111
Montaggio	111
Rimozione	112
Regolazione manuale dell'altezza del sedile	112
Regolazione assistita dell'altezza della base	112
10.0 Basculamento	113
Base a più altezze e basculante (figg. 10.1-10.3)	113
11.0 Ripiegamento delle maniglie di spinta	113
Base a più altezze e inclinabile (figg. 11.1 e 11.2)	113
12.0 Regolazione base “5-Star”	114
Sollevamento di Pluton	114
Abbassamento di Pluton	114
Basculamento della seduta su base “5 Star”	114
13.0 Regolazione dello schienale	115
Regolazione dell'inclinazione dello schienale	115
Regolazione dell'altezza dello schienale	115
14.0 Regolazione della profondità della seduta	116
Regolazione della profondità del sedile	116
15.0 Montaggio del tavolino	116
Istruzioni per il montaggio del tavolino	116
16.0 Regolazione del sistema di contenimento per il bacino	117
Regolazione dell'imbottitura sacrale (fig. 16.1)	117
Regolazione del sistema di contenimento per il bacino	117
Regolazione del supporto sacrale (figg. 16.3-16.5)	118

17.0 Regolazione dell'appoggiatesta	119
Regolazione dell'inclinazione degli elementi laterali dell'appoggiatesta	119
Regolazione dell'inclinazione dell'appoggiatesta	119
Regolazione dell'altezza dell'appoggiatesta	119
18.0 Regolazione dei sostegni laterali	119
Altezza e ampiezza degli pelotte toracali	119
Azione di ribaltamento (se presente)	119
19.0 Regolazione dei braccioli	120
Regolazione dell'altezza dei braccioli	120
Regolazione dell'inclinazione dei braccioli	120
Rimozione dei braccioli	120
20.0 Regolazione/rimozione del supporto per le gambe	121
In modo separato:	121
Regolazione dell'inclinazione	121
Rimozione del supporto per le gambe	121
21.0 Regolazione della posizione del piede	122
Regolazione dell'inclinazione dell'appoggiapiedi	122
Ribaltamento verso l'alto dell'appoggiapiedi	122
Altezza dell'appoggiapiedi	122
Posizionamento del appoggiapiedi	122
Dimensione del piede	122
Regolazione anteriore e posteriore, rotazione	123
Regolazione laterale/ampiezza	123
Cinghie per i piedi	123
22.0 Impostazione dello schienale dinamico	124
Impostazione del livello di resistenza e di ritorno	124
Aumento della pressione dell'aria	124
Diminuzione della pressione dell'aria	124
Impostazione del livello di ritorno	125
Disattivazione del meccanismo	125
Programma di manutenzione	125
23.0 Pulizia e manutenzione	126
Manutenzione del rivestimento di tessuto	126
Struttura metallica	126
24.0 Manutenzione generale	126
25.0 Assistenza fornita da un rivenditore autorizzato	128
Che cosa è necessario eseguire durante un intervento di assistenza?	128
Che cosa si deve fare in caso di guasto?	128
Chi deve eseguire l'assistenza?	128
Frequenza dell'assistenza	128
Come prenotare un intervento di assistenza	128
26.0 Registro degli interventi di assistenza	129
27.0 Ispezione e riutilizzo dell'apparecchiatura	130
Pulizia	130
Valutazione di tessuti/imbottiture	130
Smaltimento delle apparecchiature elettriche ed elettroniche	130
Adeguatezza dell'apparecchiatura	130
Manuali e registrazioni	130
Controllo	130
Condizione	130
Accessori	131
Funzioni	131
Agganci	131
Modifiche	131
Etichette	131
Regolazione	131
Consegna	131
Imballaggio	131
Applicazione della maniglia di spinta	131

Definizioni

Definizione dei termini usati in questo manuale

Termine	Definizione
 ATTENZIONE!	Informa l'utilizzatore di possibili rischi di gravi lesioni o di decesso nel caso in cui la raccomandazione non venga seguita
 AVVERTENZA!	Informa l'utilizzatore di rischi nel caso in cui la raccomandazione non venga seguita
 ATTENZIONE!	Informa l'utilizzatore dei possibili rischi all'apparecchiatura nel caso in cui la raccomandazione non venga seguita
NOTA:	Raccomandazione generale o procedura consigliata
	Riferimento a documentazione supplementare

NOTA:

È possibile che il sistema di seduta illustrato e descritto in questo manuale differisca leggermente dal modello acquistato. Tuttavia tutte le istruzioni sono pertinenti, a prescindere dalle differenze nei dettagli.

Il produttore si riserva il diritto di modificare senza preavviso i pesi, le misure e altri dati tecnici riportati nel presente manuale. Tutti i numeri, le misure e le capacità riportati nel presente manuale sono approssimativi e non costituiscono delle specifiche.

NOTA:

Si prega di scrivere l'indirizzo e il numero di telefono del rivenditore autorizzato nello spazio apposito.

In caso di guasto rivolgersi immediatamente al tecnico autorizzato fornendo tutti i dettagli pertinenti in modo che vi possa aiutare rapidamente.

Firma e timbro del rivenditore.

1.0 Avvertenza di sicurezza importante

AVVERTENZA!

Sunrise Medical ha assunto l'impegno di realizzare prodotti conformi ai più alti standard. Tutti i nostri prodotti sono conformi ai requisiti di sicurezza e ambientali fondamentali, così come definiti dalle Direttive europee. Tuttavia, un uso non corretto del prodotto potrebbe mettere a rischio gli utenti e, pertanto, Sunrise Medical raccomanda fermamente di attenersi strettamente, e in qualsiasi momento, alle informazioni qui riportate.

AVVERTENZE!

- Prima dell'utilizzo, verificare la presenza e il fissaggio di tutti i meccanismi di regolazione. Se si prevede che le manopole vengano allentate frequentemente, Sunrise Medical può fornire, in alternativa, bulloni per chiavi Allen. Si tratta di un'alternativa consigliata se vi è il rischio che ciò possa verificarsi da parte di coloro che si trovano nelle vicinanze dell'utente.
- Dopo aver apportato una qualsiasi modifica, **ACCERTARSI** che tutti i dadi, i bulloni, le manopole, le maniglie e gli altri elementi di fissaggio siano adeguatamente serrati e in posizione, e che vengano regolarmente controllati nelle fasi di manutenzione del sistema di seduta. Non regolare o stringere mai eccessivamente le parti mobili.
- Prima di utilizzare questo sistema, verificare la presenza e la regolazione di tutte le cinghie e i bretellaggi per il supporto posturale (vedere pagg. 9, 10 e 11).
- Qualora fosse montato su un telaio per interni, il modello Pluton deve essere sempre posizionato su un pavimento in piano e privo di ostacoli. Il modello Pluton può essere spostato da un'area di lavoro all'altra. Per questioni di sicurezza, prima di spostarlo, riportare **SEMPRE** il sistema di seduta nella sua posizione neutra e abbassarlo (ridurre l'altezza, livellare il sedile, accertarsi che lo schienale sia in posizione verticale ecc.). Dopo averlo spostato, e durante l'uso, Pluton deve essere sistemato in posizione bloccata, con i freni inseriti. La base per interni, come la base regolabile in altezza e basculante, sono destinate all'utilizzo in ambienti chiusi, anche se è possibile passare all'aperto qualora fosse necessario trasferire Pluton da un ambiente chiuso ad un altro.
- La presenza di oggetti pesanti posti sul tavolino può compromettere la stabilità di Pluton. Il montaggio di tavolini diversi da quelli Sunrise Medical standard potrebbe compromettere sostanzialmente la stabilità di Pluton e, pertanto, prima di usarli, è necessario verificarne la compatibilità.
- Se in un qualsiasi momento permangono arrossamenti di aree della pelle per circa 10 minuti dopo che l'utente ha lasciato il sistema di seduta, mettersi quanto prima in contatto con il professionista qualificato che ha consegnato il prodotto. La presenza di arrossamenti potrebbe essere un segnale di pressione eccessiva esercitata dal sedile. Si tratta di una condizione che si può verificare quando si inizia a usare un sedile nuovo che potrebbe richiedere ulteriori regolazioni, un più

corretto posizionamento dell'utente, oppure la presenza, o lo sviluppo, di problemi medici sottostanti. In questi casi potrebbe essere necessario eseguire una verifica.

- Tenere tutti i prodotti lontano da fonti di calore eccessive, sigarette o fiamme libere.
- Se si ritiene che il sistema possa essersi danneggiato, interromperne immediatamente l'uso e contattare subito il rivenditore che ha fornito il sistema. (I dati di contatto sono riportati a pag. 5).
- L'apparecchiatura è dotata di etichette contenenti informazioni importanti. **NON RIMUOVERE MAI** le etichette informative, né consentirne la cancellazione, l'oscuramento o l'alterazione.
- Ogni modifica, regolazione, ricondizionamento, riparazione, lo smaltimento e le procedure di assistenza sul sistema di seduta devono essere eseguiti **UNICAMENTE** dal rivenditore che ha fornito l'apparecchiatura (vedere pagg. 30 e 31).

ATTENZIONE!

Appoggiatesta a regolazione multipla

Gli elementi laterali dell'appoggiatesta sono impostati a un'angolazione ideale di 45°. **NON** stringere eccessivamente i supporti laterali per la testa. Accertarsi che l'appoggiatesta sia stato montato in modo tale da impedire che la testa del bambino possa aggirare gli elementi laterali e rimanere bloccata.

Pelotte toracali e pelotte toracali Flexi

Accertarsi che le cinghie non interferiscano con qualsiasi sondino di alimentazione del bambino.

AVVERTENZA!

Abduttori

Queste parti sono state progettate per abduire le ginocchia dell'utente in modo da mantenere le anche nella posizione adeguata. **NON** usare gli abduttori come sistema di ritenuta dell'utente. Quando si fa sedere, o si fa alzare, l'utente dal sedile, ribaltare l'abducente verso il basso.

Sandaletti e cinghie per i piedi

Devono essere utilizzate solo quando l'utente indossa scarpe o stivaletti.

Tavolino

NON usare il tavolino per bloccare il bambino sul Pluton. Accertarsi sempre di utilizzare la cintura pelvica e qualsiasi altra cintura fornita. Accertarsi che gli elementi di blocco siano stati fissati su entrambi i lati del tavolino. Se il tavolino è danneggiato, verificare che non costituisca un rischio per l'utente. Non lasciare mai oggetti caldi sul tavolino quando il bambino è incustodito.

ATTENZIONE!

PERICOLO DI SOFFOCAMENTO – Questo ausilio per la mobilità contiene piccole parti che in certe circostanze possono costituire un rischio di soffocamento per i bambini piccoli.

GARANZIA

QUESTO NON HA ALCUN EFFETTO SUI VOSTRI DIRITTI LEGALI.

Sunrise Medical* garantisce i propri prodotti secondo i termini di legge.

Condizioni della garanzia

Se fosse necessario riparare o sostituire una o più parti della carrozzina entro il periodo di validità della garanzia, come risultato di uno specifico difetto di fabbricazione e/o di materiale, la parte o le parti interessate saranno riparate o sostituite gratuitamente. (Le batterie sono coperte da garanzia per un periodo di 12 mesi a condizione che siano state seguite correttamente le istruzioni di manutenzione)

Per far valere la garanzia, contattare il rivenditore Sunrise Medical indicando i dettagli esatti della natura del problema. Nel caso in cui l'utente si trovi in una località lontana dalla sede del tecnico autorizzato Sunrise Medical, la riparazione o la sostituzione richiesta potrà essere eseguita da un altro tecnico designato dal produttore. La carrozzina deve sempre essere riparata da un tecnico autorizzato da Sunrise Medical.

Per le parti riparate o sostituite nell'ambito di questa garanzia, verrà fornita una garanzia conforme alle condizioni della presente garanzia per il periodo di garanzia rimanente per la carrozzina.

Per le parti di ricambio originali montate sulla carrozzina a spese del cliente vale una garanzia di 12 mesi (a partire dall'installazione), conformemente alle presenti condizioni di garanzia.

Le parti soggette a usura come imbottiture, pneumatici, camere d'aria e parti simili non saranno coperte dalla garanzia a meno che non presentino segni di logorio precoce dovuto direttamente a un difetto di fabbricazione.

Ai sensi di questa garanzia non saranno accettati reclami qualora una riparazione o la sostituzione di una carrozzina o di una sua parte venga richiesta per i seguenti motivi:

Il prodotto o una sua parte non sia stato riparato o revisionato in base alle indicazioni del produttore, come indicato nel manuale d'uso e/o nel manuale di manutenzione.

Non siano state usate solo parti originali.

Il prodotto, o parte di esso, siano stati danneggiati per negligenza, incidente o uso improprio.

Alla carrozzina o a una sua parte siano stati apportati cambiamenti o modifiche non in accordo con quanto previsto dalle specifiche del produttore.

Le riparazioni sono state eseguite prima di informare il rivenditore autorizzato Sunrise Medical delle circostanze.

Questa garanzia è soggetta alla legislazione del paese in cui è stato acquistato il prodotto Sunrise Medical"

* Indica lo stabilimento Sunrise Medical presso cui è stato acquistato il prodotto.

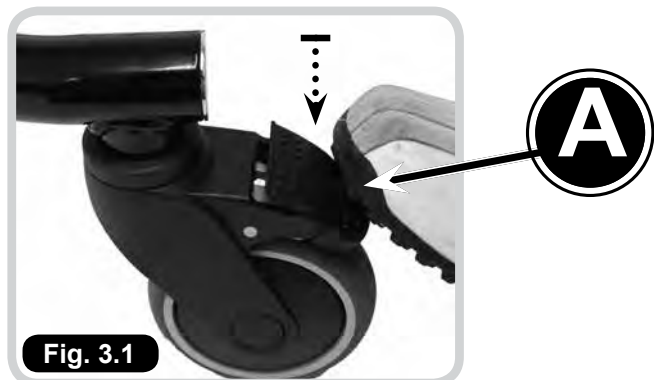
Attivazione dei freni (telai della base per interni)

AVVERTENZA!

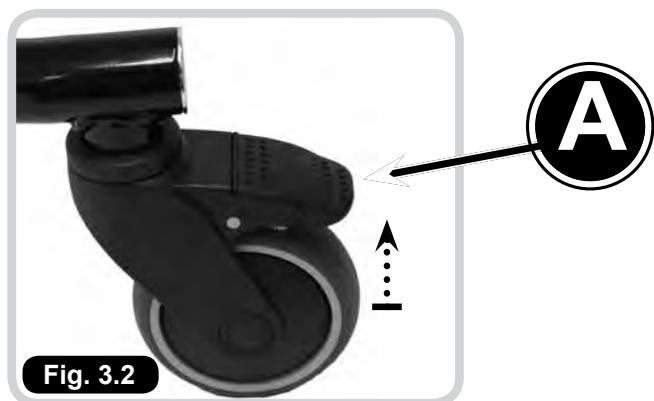
Quando Pluton non è in movimento, inserire sempre i freni.

Inserimento dei freni

Premere con un piede la leva (A). Per bloccare Pluton in posizione si devono attivare i freni di tutte le ruote della base. (Fig. 3.1).

**Rilascio dei freni**

Per rilasciare i freni, sollevare la leva verso l'alto con la parte superiore del piede. Dopo aver rilasciato tutti i freni, Pluton potrà essere spostato in una qualsiasi direzione. (Fig. 3.2).

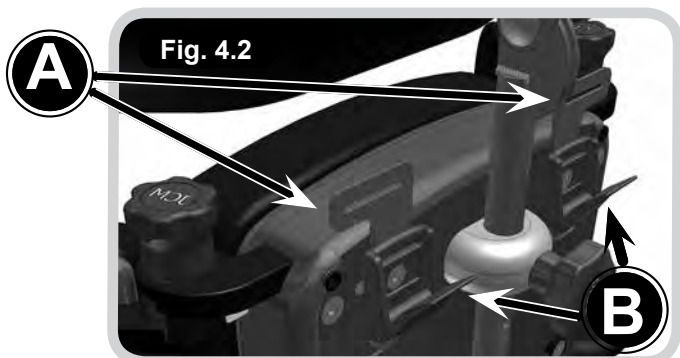
**Bretellaggio toracico****ATTENZIONE!**

- Quando si applica un bretellaggio toracico è necessario FARE PARTICOLARE ATTENZIONE e procedere sempre come segue:
- Le cinghie del bretellaggio non devono mai potersi muovere vicino al collo dei bambini, né generarne mai l'ostruzione.
- Le cinghie non devono mai risultare troppo strette e non devono trovare ostruzioni.
- La cintura per lo sterno del bretellaggio toracico deve essere sempre regolata prima dell'uso per assicurare che non sia in una posizione più alta rispetto alla parte centrale del torace dell'utente.
- Quando si usa un bretellaggio, utilizzare sempre una cintura pelvica per evitare che il bambino possa scivolare sotto la cintura per lo sterno.
- Accertarsi sempre che le cinghie offrano al bambino la comodità e il supporto necessari. Se si modifica l'abbigliamento del bambino (per es., si leva un maglione), sarà necessario regolare di nuovo le cinghie. (Fig. 4.1).

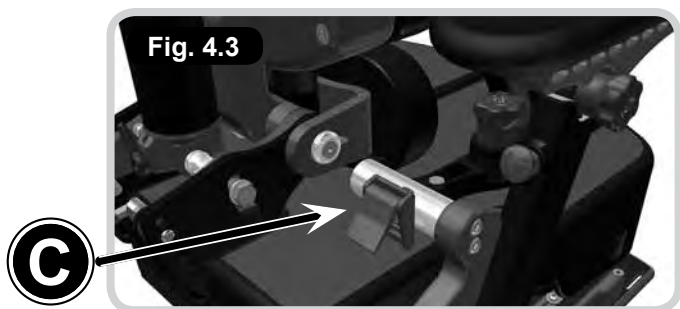


Fissaggio sul sistema di seduta Pluton

- Il modello Pluton viene fornito con piastre guida per le cinghie superiori posizionate su entrambi i lati della parte superiore dello schienale (A). La cinghia di fissaggio deve passare attraverso queste guide e, successivamente, essere regolata e fissata con i fermi di chiusura a camma (B) situati immediatamente sotto le piastre guida. (Fig. 4.2).



- Le cinghie della parte inferiore del bretellaggio devono essere infilate e regolate in modo appropriato e, quindi, bloccate utilizzando il fermo di chiusura a camma (C) situato sul binario dell'imbottitura per l'anca. (Fig. 4.3).



Come allacciare le cinture

- Infilare la cintura di tela nella fibbia sulla cinghia.
- Le cinture devono essere sufficientemente tirate per garantire al bambino un supporto adeguato, ma confortevole.
- Raggiunta la tensione appropriata, la fibbia deve essere chiusa per mantenere la cinghia in posizione. (Fig. 4.4).



⚠ AVVERTENZA!

Le stesse precauzioni valgono anche quando si utilizza un qualsiasi supporto per il tronco o altri supporti flessibili dotati di cinghie.

⚠ ATTENZIONE!

Se c'è anche la minima possibilità che il bambino possa avvolgersi le cinghie attorno al collo, RIMUOVERE IMMEDIATAMENTE IL BRETELLAGGIO.

5.0 Sicurezza della cintura pelvica

⚠ ATTENZIONE!

IL MONTAGGIO NON CORRETTO DELLE CINTURE PELVICHE PUÒ METTERE L'UTENTE IN SERIO PERICOLO.

Fissaggio della cintura pelvica

Quando si usano cinture pelviche si raccomanda di attenersi sempre a quanto segue:

L'angolo con il quale la cintura pelvica viene agganciata al sistema di seduta Neptune ha un effetto diretto sulla pressione applicata al bacino.

Considerazioni:

- Un angolo di attacco di 60° al binario del sedile posiziona la cintura pelvica anteriore e inferiore in corrispondenza della spina iliaca anteriore superiore (ASIS), riducendo la tendenza dell'utente con retroversione del bacino a scivolare sotto la cintura.
- Un'angolazione maggiore della cintura favorisce la retroversione del bacino, facilitando il posizionamento degli utenti affetti da antiversione del bacino.
- Le cinture secondarie di una cintura pelvica a 4 punti devono essere attaccate al tubo della seduta con un'inclinazione da 45° a 90° per mantenere in posizione la cintura imbottita primaria e per evitare che la cintura si possa spostare verso l'addome o si attorcigli.
- L'angolazione dell'attacco può essere modificata per adattare la cintura a situazioni quali la presenza di ferite nell'area pelvica, articolazioni instabili del bacino o presenza di sondini gastrici.

Serraggio della cintura:

Per assicurare il corretto posizionamento dell'imbottitura, mantenere le cinture fissate alle cinghie di regolazione durante il fissaggio e nell'uso quotidiano. La tensione corretta delle cinture pelviche imbottite deve consentire di poter toccare le imbottiture. Per le cinture pelviche non imbottite, la lunghezza della cintura, a livello della fibbia, deve essere di circa 76 mm (3 pollici). È essenziale che l'assistente sia stato adeguatamente istruito su come posizionare correttamente la cintura pelvica.

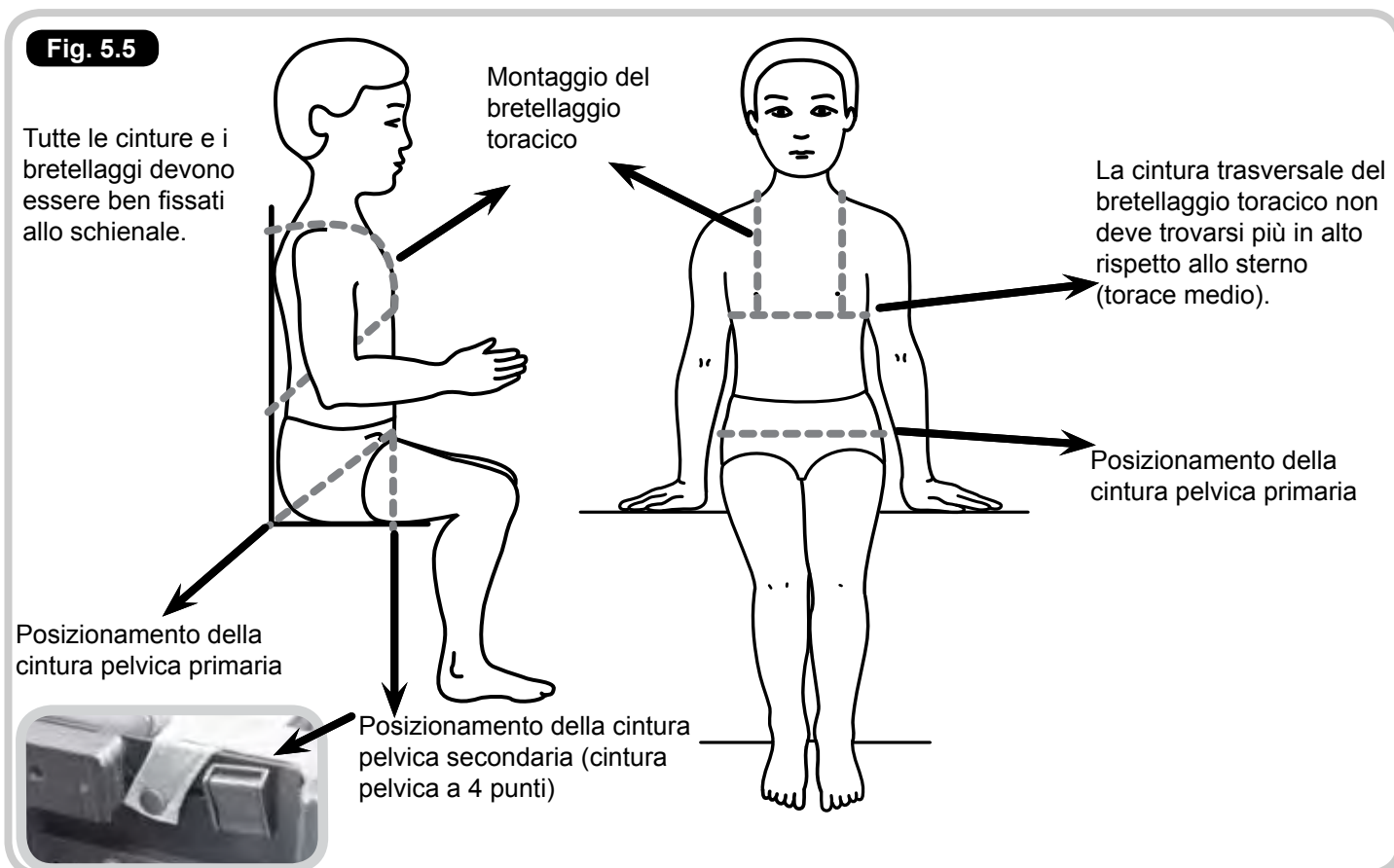
Taglie:

Per determinare la corretta dimensione della cintura, misurare la larghezza del bacino. Il metodo consigliato per la misurazione della larghezza del bacino è rilevarla da trocantere a trocantere. Se non è possibile, misurare la distanza tra le spine iliache anteriori superiori (ASIS) e aggiungere 5 cm circa. La dimensione corretta della cintura per l'utente deve tenere in considerazione le imbottiture per la protezione di tutte le prominenze ossee.

- Controllare sempre che il bacino del bambino sia in posizione simmetrica e posizionato correttamente contro lo schienale del sedile.
- Accertarsi sempre che le cinture pelviche e il bretellaggio toracico tengano fermo il bambino e siano confortevoli. Accertarsi che si adattino bene al bimbo; una semplice regola per è controllare che fra la cintura e il corpo del bambino possano essere inserite due dita.
- Non lasciare mai un bambino incustodito su un sistema di seduta senza avere allacciato la cintura pelvica.
- Quando si usa un bretellaggio, utilizzare sempre una cintura pelvica.
- Quando si modifica l'angolazione fra la seduta e lo schienale, regolare sempre di nuovo il bretellaggio toracico e la cintura pelvica per garantire il rispetto di tutte le raccomandazioni di sicurezza.

Posizionamento del bretellaggio e della cintura pelvica

La figura qui sotto indica come posizionare il bretellaggio toracico e della cintura pelvica (fig. 5.1):



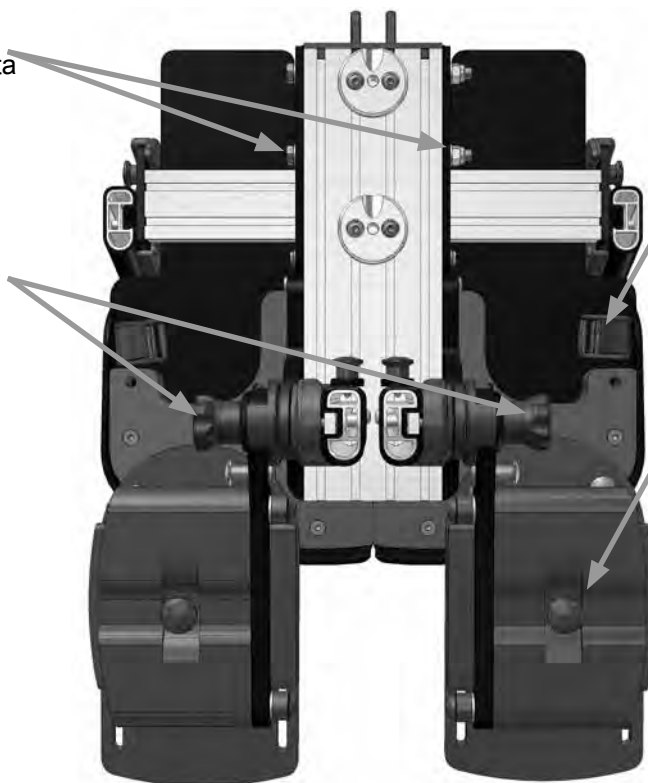
6.0 Punti di regolazione e uso della leva

Punti di regolazione sotto la seduta (fig. 6.1)

Fig. 6.1

Bulloni per la regolazione della profondità della seduta

Regolazione dell'angolo della pedana



Fibbia di fissaggio della cintura pelvica

Regolazione della larghezza della pedana

Efficacia delle leve di blocco (se presenti)

Non rimuovere mai completamente queste leve in quanto tale rimozione non consentirà di effettuare successive regolazioni.

- Come usarle: Ruotare la maniglia della leva in senso orario per stringere, e in senso antiorario per allentare.
- Come usare la leva quando si incontra un ostacolo: Tirare la leva verso l'esterno, verso di voi (A). In questo modo si disabilita la funzione della leva.
- Continuare a mantenere estratta la leva e, dopo aver superato l'ostacolo, riportare la maniglia nella posizione appropriata.
- Rilasciare la maniglia per riattivare la funzione della leva (B) e continuare a stringere, o ad allentare, nel modo usuale.
- Ripetere la procedura per le aree dove vi sono ostacoli che limitano le regolazioni.

Fig. 6.2



Fig. 6.3



7.0 Uso della leva – Uso dei perni di fissaggio graduati

Uso dei perni di fissaggio graduati (solo sistema di blocco tipo Variety)

Posizionamento dei perni di fissaggio in posizione aperta:

- Tirare i perni di fissaggio fino al massimo possibile (B).
- Ruotare i perni di fissaggio di mezzo giro in senso antiorario (C) per portarli in posizione aperta.
- Per chiudere: ruotare i perni di fissaggio di mezzo giro in senso orario fino a quando “scatteranno” nella loro posizione chiusa (A).

8.0 Regolazione dei protrattori per le spalle

Imbottitura superiore dello schienale / Ampiezza spalle

Ruotare la vite di blocco (A) di mezzo giro utilizzando la chiave Allen da 4 mm fornita e posizionare manualmente l'imbottitura in modo da adattarla all'utente facendola scorrere verso l'interno o l'esterno.

Stringere la vite di blocco (A) per bloccare l'imbottitura superiore dello schienale in posizione.

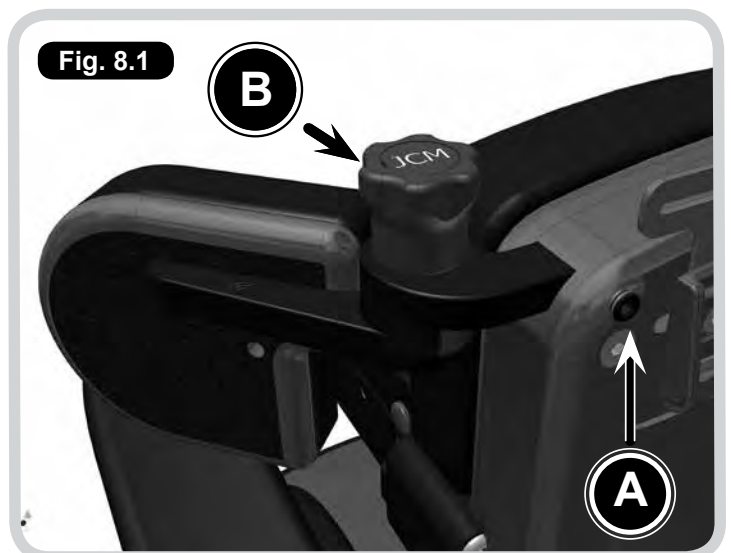
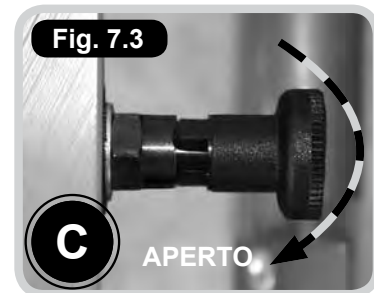
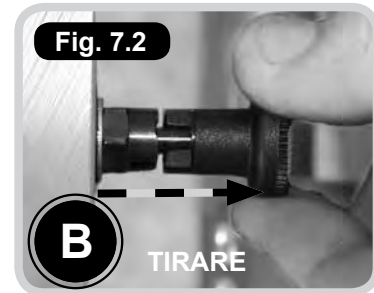
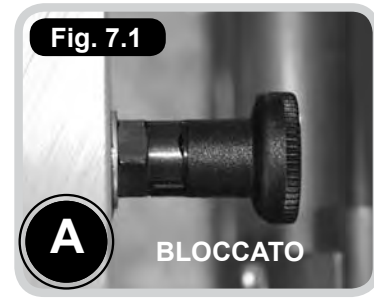
Imbottitura superiore dello schienale / Angolo di protrazione

Per impostare l'inclinazione dell'imbottitura superiore dello schienale si deve allentare la manopola di blocco (B) facendola ruotare di un paio di giri in senso antiorario. Dopo averle liberate, le imbottiture superiori dello schienale potranno essere posizionate premendo verso il basso la manopola e modificando contemporaneamente, usando l'altra mano, la loro inclinazione.

Quando si sarà raggiunta la posizione desiderata, rilasciare la manopola e ruotarla in senso orario fino a stringerla completamente.

ATTENZIONE!

Inclinazione del supporto imbottito – In alternativa, si potrà posizionare il supporto imbottito senza spingere verso il basso la manopola, anche se questa operazione non è consigliabile in quanto potrebbe ridurre la vita utile del meccanismo di blocco.



Montaggio

⚠ AVVERTENZA!

Prima di montare l'unità del sedile, accertarsi sempre che la base sia stabile e che i freni siano stati inseriti.

⚠ ATTENZIONE!

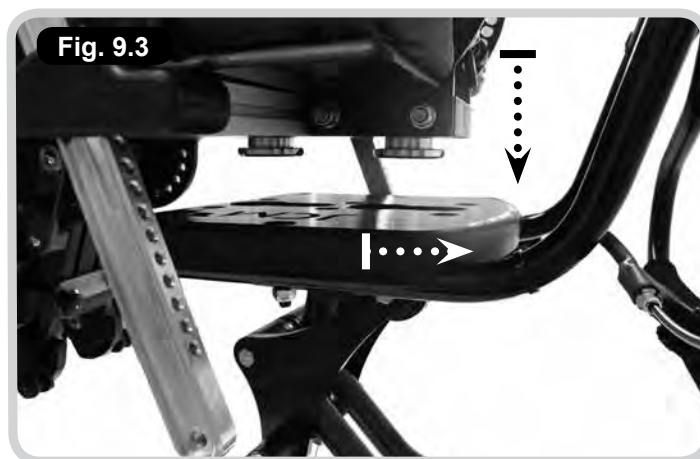
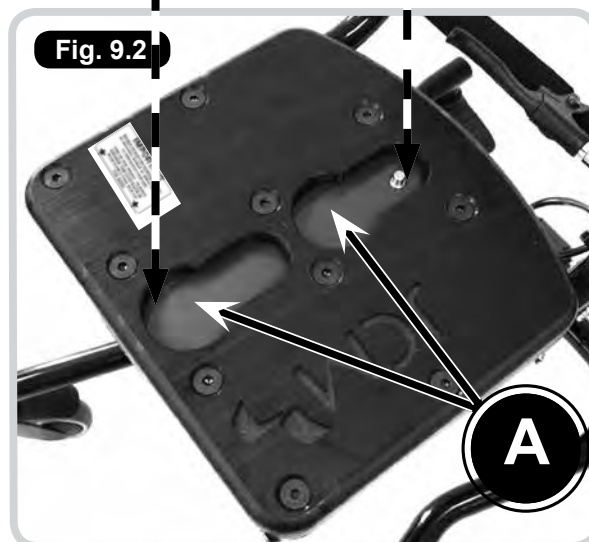
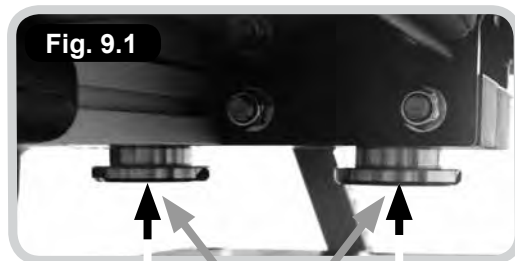
Tenere presente che la maniglia di spinta montata dipende dalle dimensioni del prodotto. Pertanto, sarà necessario controllare che le dimensioni riportate sull'etichetta della maniglia di spinta corrispondano a quelle del prodotto alla quale verrà applicata.

Vedere (figg. 9.1 e 9.2).

- La piastra di interfaccia (A) presenta due intagli nei quali si inseriranno i piedini di posizionamento (B) del sedile.
- Posizionare l'unità del sedile sopra la piastra di interfaccia, allineandone i piedini (B) agli intagli (A) della piastra di interfaccia.
- Abbassare con attenzione il sedile sulla piastra di interfaccia accertandosi che i piedini di posizionamento (B) si inseriscano negli intagli della piastra di interfaccia (A).
- Spingere l'unità del sedile verso l'interno in direzione della parte posteriore di Pluton, fino a quando i piedini "scatteranno" nella loro posizione finale.
- Prima dell'uso, accertarsi che il sedile sia adeguatamente posizionato sulla base.

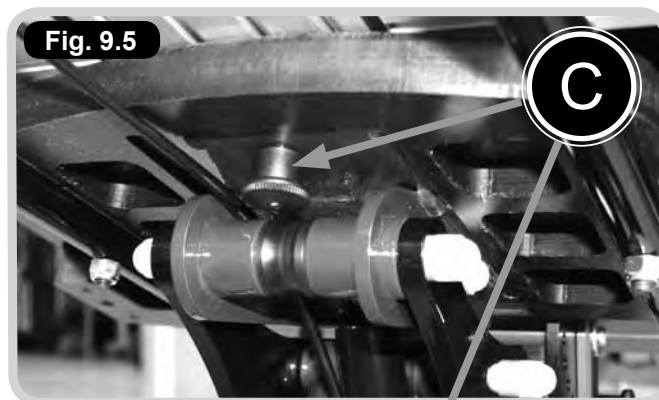
Vista laterale dei piedini di posizionamento del sedile che si abbassano sugli intagli della piastra di interfaccia (fig. 9.3).

Vista del sedile bloccato alla base (fig. 9.4).



Rimozione

Rilasciare il perno di fissaggio graduato (C) che si trova sotto la piastra di interfaccia e fare scorrere il sedile in avanti per rimuoverlo dalla base (figg. 9.5 e 9.6).



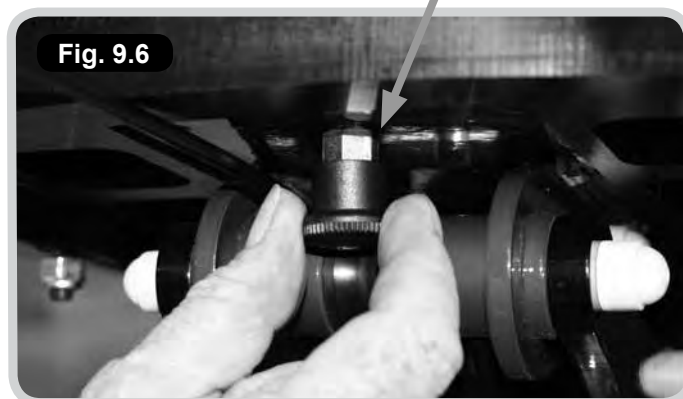
Regolazione manuale dell'altezza del sedile

Base a più altezze e basculante

La base a più altezze e basculante si adatta a tutte le dimensioni del modello Pluton. È controllata da un meccanismo a pompa idraulica.

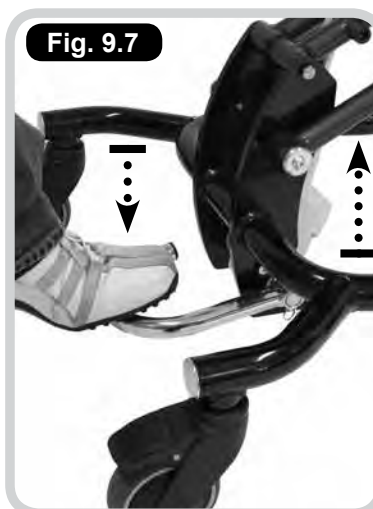
Sollevamento di Pluton (fig. 9.7).

Premere più volte il pedale della pompa fino a quando si sarà raggiunta l'altezza desiderata (Pluton si solleverà a ogni pressione del pedale).



Abbassamento di Pluton (fig. 9.8).

Posizionare il piede sotto il pedale e sollevarlo delicatamente verso l'alto (Pluton si abbasserà automaticamente).



Regolazione assistita dell'altezza della base

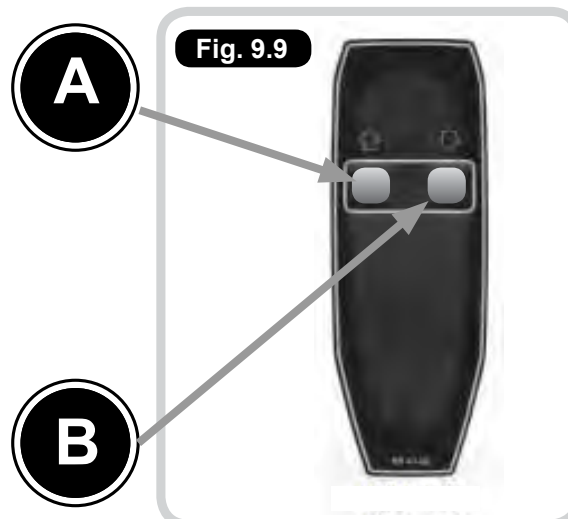
Opzione aggiornamento (fig. 9.9).

⚠ ATTENZIONE!

Prima di operare su Pluton, accertarsi sempre della presenza di ostacoli che potrebbero interferire con il meccanismo.

Pulsante A = ALZA

Pulsante B = ABBASSA



10.0 Basculamento

Base a più altezze e basculante (figg. 10.1-10.3)

AVVERTENZA!

Prima di procedere con le regolazioni seguenti, accertarsi sempre che la base sia stabile e che i freni siano stati inseriti.

- Rilasciare il meccanismo di blocco della maniglia tirando verso l'alto il piccolo elemento di fissaggio (A) della maniglia.
- Reclinazione:
Con una mano agire sulla maniglia (B) e, con l'altra mano appoggiata sul bracciolo o lateralmente, spingere contemporaneamente verso il basso per portare Pluton alla posizione reclinata desiderata.
- Posizione prona:
Agire sulla maniglia (B) e tirare verso l'alto e in avanti la maniglia di Pluton. Contemporaneamente, usare l'altra mano appoggiandola sul bracciolo o lateralmente per portare Pluton fino a raggiungere la posizione prona.
- Quando si sarà raggiunta la posizione desiderata, rilasciare la maniglia (B) per bloccare in posizione il meccanismo di reclinazione.
- Accertarsi che la leva di blocco (A) della maniglia ritorni in posizione di chiusura per essere sicuri che la posizione di reclinazione raggiunta venga bloccata.

AVVERTENZA!

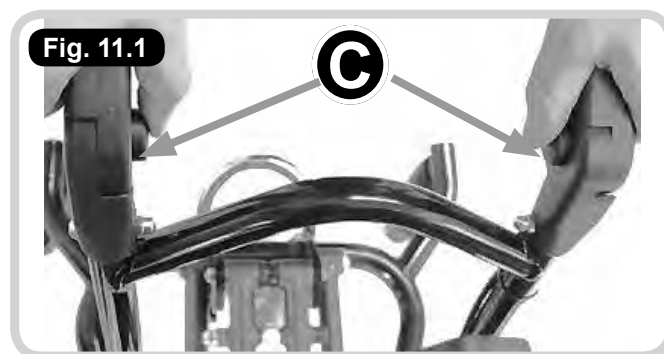
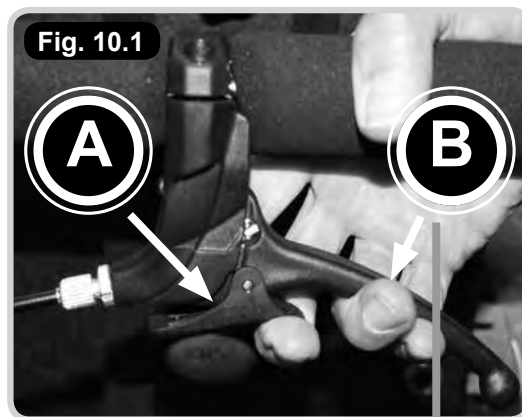
L'operatore dovrà quindi controllare il movimento di Pluton quando la maniglia è bloccata. La quantità di supporto necessaria varia in base al peso e alla statura dell'utente. Si raccomanda di eseguire per la prima volta questa operazione prima che l'utente si accomodi su Pluton.

11.0 Ripiegamento delle maniglie di spinta

Base a più altezze e inclinabile (figg. 11.1 e 11.2)

Per spostare Pluton usare solo le maniglie di spinta. Quando non sono in uso, le maniglie di spinta devono essere ripiegate verso il basso.

Premere entrambi i pulsanti (C) all'interno delle maniglie. Modificare manualmente la posizione delle maniglie premendo verso il basso la sezione superiore. Per riportare le maniglie nella posizione di spinta, tirarle verso l'alto fino a quando le si sente "scattare" in posizione.



12.0 Regolazione base "5-Star"

AVVERTENZA!

Prima di procedere con le regolazioni seguenti, accertarsi sempre che la base sia stabile e che i freni siano stati inseriti.

Fare riferimento alla fig. 12.1.

Sollevamento di Pluton

Accedere alla maniglia (A) situata sul retro di Pluton e spingerla ripetutamente verso il basso per aumentare l'altezza.

L'altezza di Pluton aumenterà con l'aiuto dell'assistenza necessaria in base al peso dell'utente.

Una volta raggiunta l'altezza desiderata rilasciare la maniglia.

Abbassamento di Pluton

Agire di nuovo sulla maniglia (A), ma questa volta applicare con una mano una pressione sulla parte superiore di Pluton mentre si spinge la maniglia (A) verso il basso.

ATTENZIONE!

Se si trovano difficoltà nell'esecuzione simultanea di queste operazioni, farsi aiutare da un'altra persona.



Basculamento della seduta su base "5 Star"

Fare riferimento alle figg. 12.2 e 12.3.

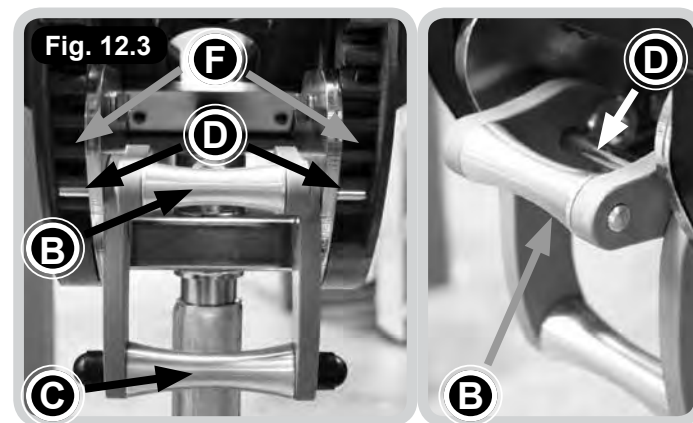
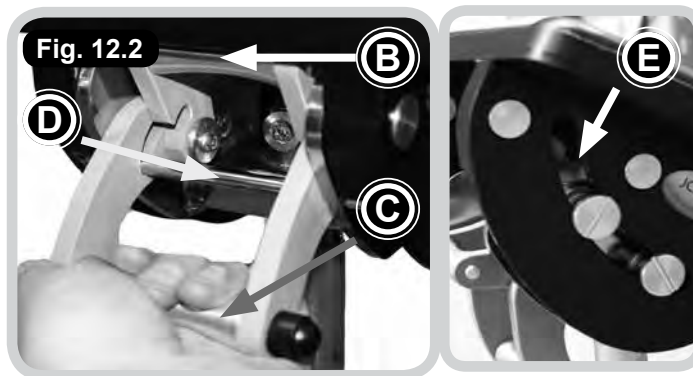
- Sollevare il blocco di sicurezza (B) per preparare la base per la regolazione del basculamento.
- Sollevare il blocco operativo (C) fino a quando si arresta per sbloccare la barra (D).
- Inclinare l'interfaccia della base portandola all'angolazione desiderata.

La gamma di regolazione è gestita dalle scanalature poste ai lati del sedile.

Quando si sarà raggiunta l'inclinazione desiderata.

Chiudere il blocco di sicurezza (C) premendolo verso il basso fino a quando la barra (D) sarà correttamente inserita in una delle scanalature di posizionamento (F).

- Spingere verso il basso il blocco di sicurezza (B) per evitare movimenti accidentali del basculamento.
- Accertarsi sempre che la scanalatura del blocco di sicurezza (B) sia correttamente allineata alla barra (D) in modo da fissare in posizione il sedile.



13.0 Regolazione dello schienale

Fare riferimento alle figg. 13.1 e 13.2.

Regolazione dell'inclinazione dello schienale

- Premere le leve (A) poste nella parte posteriore e inferiore di Pluton una contro l'altra per farle uscire dai rispettivi fori di blocco in posizione (B).
- Mantenendo premute le leve una contro l'altra, afferrare la parte superiore dello schienale di Pluton e inclinarlo fino a raggiungere la posizione desiderata.
- Riposizionare le leve nei corrispondenti fori di blocco (B) per bloccare lo schienale nella sua posizione finale.
- Prima di utilizzare di Pluton, accertarsi sempre che lo schienale sia regolarmente fissato e che le leve siano completamente inserite nei rispettivi fori.

Regolazione dell'altezza dello schienale

- Rimuovere il cuscino imbottito dello schienale mantenuto in posizione da bottoni a pressione.
- Allentare i due bulloni Allen (A) posti sul pannello di plastica posteriore.
- Fare scorrere il pannello di plastica verso l'alto, o verso il basso, fino a raggiungere l'altezza desiderata.
- Stringere completamente i due bulloni Allen.
- Riposizionare il cuscino imbottito dello schienale.

Fig. 13.1

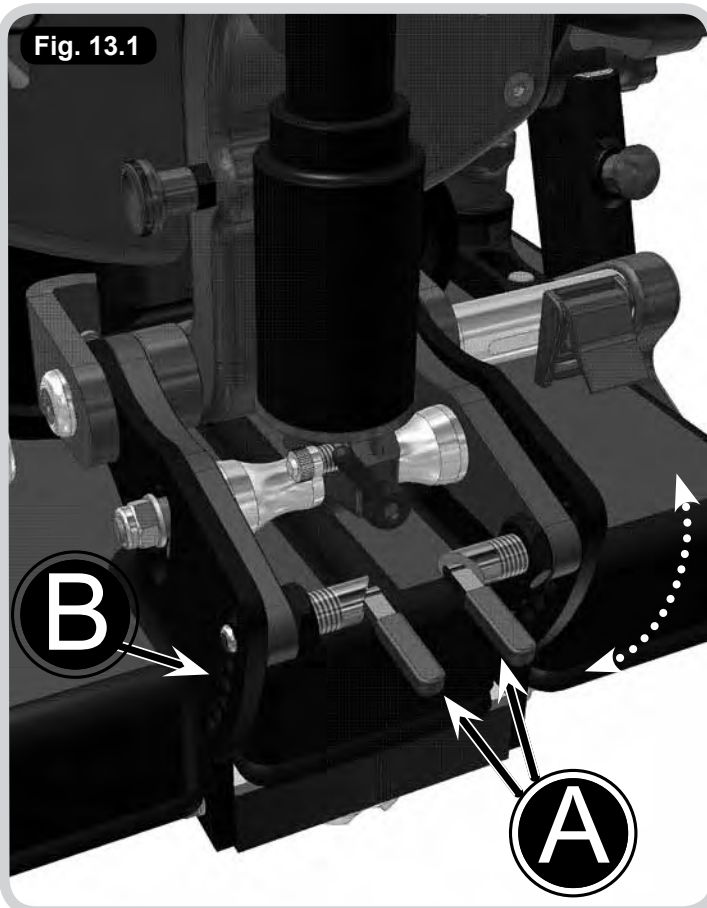
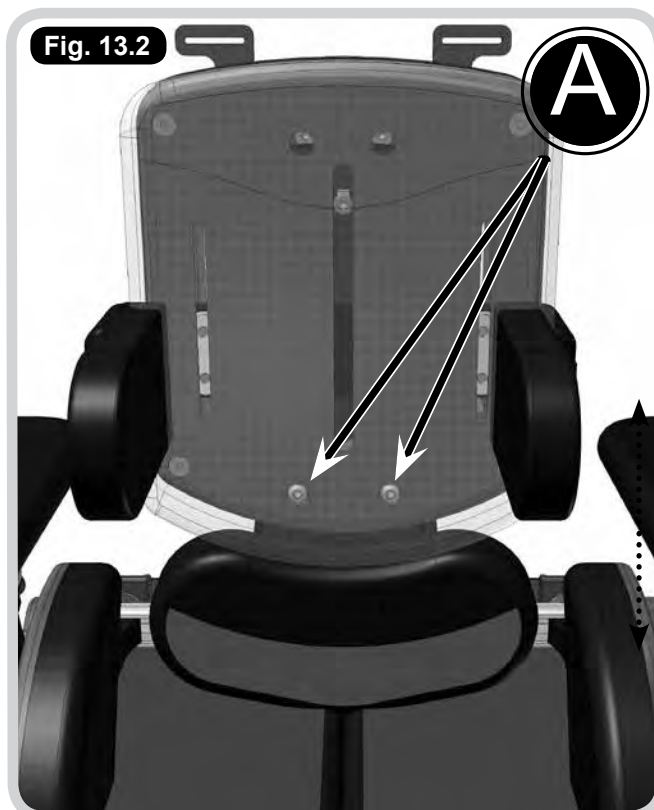


Fig. 13.2



14.0 Regolazione della profondità della seduta

Regolazione della profondità del sedile (figg. 14.1)

AVVERTENZA!

- Quando si monta per la prima volta un sistema di seduta a una base, oppure dopo una modifica apportata alle dimensioni del sistema, prima di usare l'apparecchiatura è necessario effettuare una valutazione di stabilità.
- Dopo aver regolato la lunghezza della seduta, accertarsi sempre che questi punti siano saldamente fissati e che il processo di manutenzione di Pluton preveda sempre la loro verifica.

NOTA: Il sistema Pluton è suddiviso in due parti (destra e sinistra). Per regolare la profondità della seduta per adattarla all'utente, procedere come segue. Se la lunghezza delle gambe dell'utente è diversa, allora sarà necessario regolare e bloccare ogni lato della seduta in corrispondenza di ogni punto della gamma di regolazione (150 mm).

- Allentare (o rimuovere) i bulloni Allen (A) su entrambi i lati del sedile.
- Fare scorrere il sedile verso l'intero o l'esterno per modificarne la profondità.
- Fissarlo in posizione serrando completamente i bulloni Allen.



15.0 Montaggio del tavolino

ATTENZIONE!

- Prima di lasciare un utente incustodito, accertarsi sempre che i braccioli siano fissati in posizione e che il tavolino sia stabile.
- Non lasciare mai alcun oggetto caldo sul tavolino quando l'utente non è sorvegliato.

Istruzioni per il montaggio del tavolino (figg. 15.1 e 15.2)

NOTA: Per poter montare il tavolino è necessaria la presenza dei braccioli (accessori opzionali).

- Afferrare il tavolino dalla sua parte anteriore, tenendolo per gli elementi di blocco a pressione (A) presenti su entrambi i lati del tavolino.
- Posizionare il tavolino in corrispondenza della parte superiore dei braccioli (B) e farlo scorrere verso l'utente fino a raggiungere la posizione desiderata.
- Rilasciare gli elementi di blocco (caricati a molla) per bloccarli, accertandosi che abbiano completamente raggiunto la posizione di blocco più vicina (C) della parte inferiore dei braccioli.
- Prima di iniziare a usare Pluton, accertarsi che entrambi gli elementi di blocco, a destra e a sinistra, siano correttamente bloccati e che il tavolino sia posizionato in modo sicuro.

Fig. 15.1

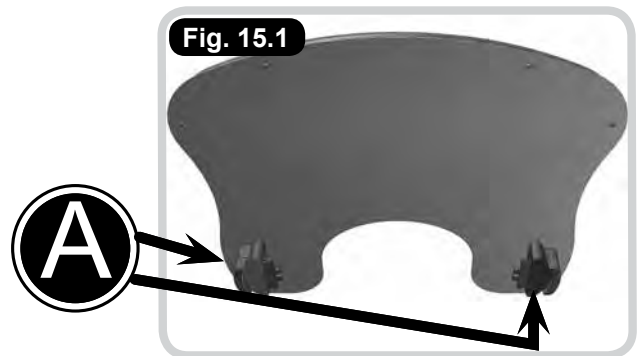
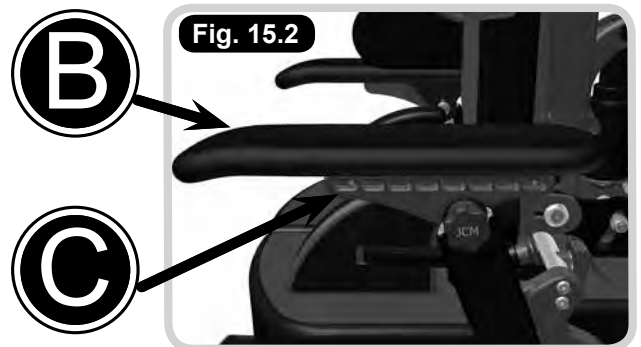


Fig. 15.2



16.0 Regolazione del sistema di contenimento per il bacino

Regolazione dell'imbottitura sacrale (fig. 16.1)

Altezza dell'imbottitura

- Rimuovere il cuscino imbottito dalla struttura.
- Allentare i bulloni Allen (A) posti ai lati del supporto sacrale (2 in tutto).
- Muovere l'imbottitura verso l'alto, o verso il basso, lungo la guida di regolazione.
- Quando si sarà raggiunta la posizione desiderata, stringere i dadi per fissarlo in posizione.

Inclinazione e profondità dell'imbottitura

- Allentare il bullone (B) di un giro intero servendosi della chiave Allen da 4 mm fornita (accertarsi di eseguire questa operazione su entrambi gli elementi di fissaggio, a destra e a sinistra).
- L'imbottitura sacrale potrà essere ora liberamente regolata in inclinazione e posizionata anteriormente e posteriormente.
- Quando si è raggiunta la posizione desiderata, stringere le viti di fissaggio per fissare l'imbottitura nella sua posizione finale.
- Nota: Si ha anche la possibilità di regolare la rotazione dell'imbottitura sacrale: per effettuare questa regolazione sarà necessario agire indipendentemente sulla posizione dei lati destro e sinistro del supporto sacrale.

Regolazione del sistema di contenimento per il bacino (fig. 16.2)

Larghezza del sistema di contenimento per il bacino

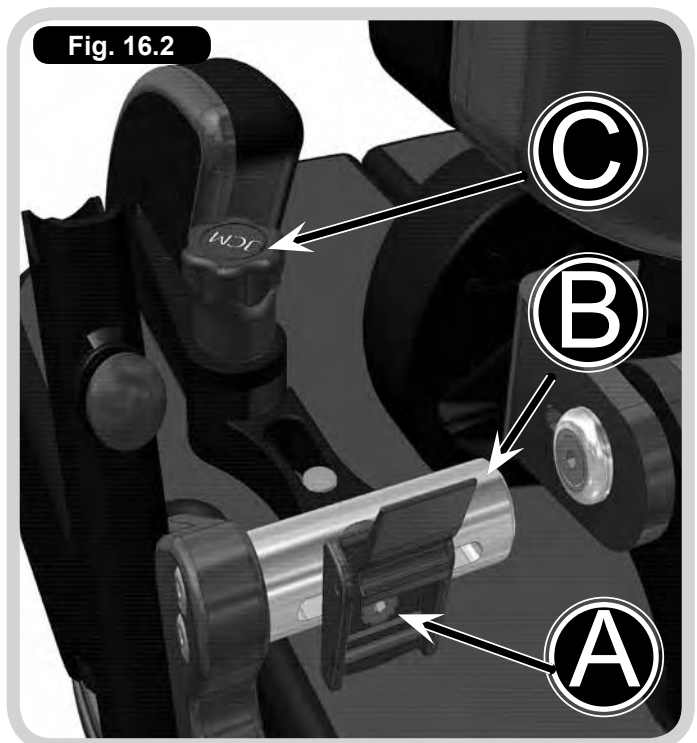
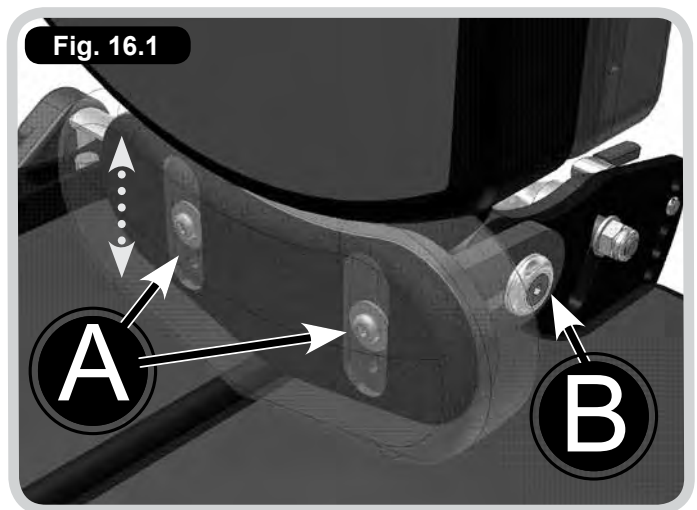
- Allentare entrambi i bulloni (A) di fissaggio di un giro completo usando la chiave Allen da 4 mm fornita.
- Il sistema di contenimento per il bacino potrà ora essere liberamente spostato lungo il binario di regolazione dell'ampiezza (B).
- Quando si è raggiunta la posizione desiderata, stringere le viti di fissaggio per fissare il supporto imbottito nella sua posizione finale.

Inclinazione del sistema di contenimento per il bacino (se presente)

- Per impostare l'inclinazione del sistema di contenimento si deve allentare la manopola di blocco (C) facendola ruotare di un paio di giri in senso antiorario.
- Dopo averli liberati, i supporti potranno essere posizionati premendo verso il basso la manopola e modificando contemporaneamente, usando l'altra mano, la loro inclinazione.
- Quando si sarà raggiunta la posizione desiderata, rilasciare la manopola e ruotarla in senso orario fino a stringerla completamente.

ATTENZIONE!

Inclinazione del sistema di contenimento per il bacino – In alternativa, si potrà posizionare il sistema di contenimento senza spingere verso il basso la manopola, anche se questa operazione non è consigliabile in quanto potrebbe ridurre la vita utile del meccanismo di blocco.



Regolazione del supporto sacrale (figg. 16.3-16.5)

Queste imbottiture consentono di fare sedere l'utente in una posizione abdotta che consente di abbassare il tono muscolare, di creare una base di seduta più ampia e di mantenere il bacino in una posizione corretta.

Montaggio e regolazione del cuneo anteriore per il cuscino

- Per montare il cuneo anteriore per il cuscino, è necessario fare passare le viti (A) e le rondelle (B) attraverso la piastra di supporto fino a inserirle nei fori corrispondenti posti nella parte inferiore dell'unità di seduta.
- Stringere le viti utilizzando la chiave Allen da 4 mm fornita.
- Al termine del fissaggio (ma prima di stringere completamente) sarà possibile agire su altre regolazioni.

Abduzione delle gambe

- Con le viti (A) non ancora completamente serrate, ruotare il cuneo anteriore per il cuscino fino a raggiungere la posizione desiderata.
- Raggiunta la posizione finale, stringere completamente le viti servendosi della chiave Allen da 4 mm fornita.

Ribaltamento verso il basso del cuneo anteriore per il cuscino (per facilitare i trasferimenti dell'utente)

- Premere e mantenere premuto il pulsante (C) e ribaltare verso il basso il cuneo anteriore per il cuscino.
- Per riposizionare il cuneo anteriore, ribaltarlo di nuovo verso l'alto per riportarlo in posizione e bloccarlo.

Montaggio e regolazione degli adduttori per le cosce

- Per montare gli adduttori per le cosce, è necessario fare passare le viti (A) e le rondelle (B) attraverso le staffe di metallo fino a inserirle nei fori corrispondenti posti sulla piastra di supporto di plastica.
- Stringere le viti utilizzando la chiave Allen da 4 mm fornita.
- Al termine del fissaggio (ma prima di stringere completamente) sarà possibile agire su altre regolazioni.

Adduzione delle gambe

- Con le viti (A) non ancora completamente serrate, fare scorrere l'adduttore per le cosce lungo la scanalatura di fissaggio fino a raggiungere la posizione desiderata.
- Raggiunta la posizione finale, stringere completamente le viti servendosi della chiave Allen da 4 mm fornita.



Fig. 16.3

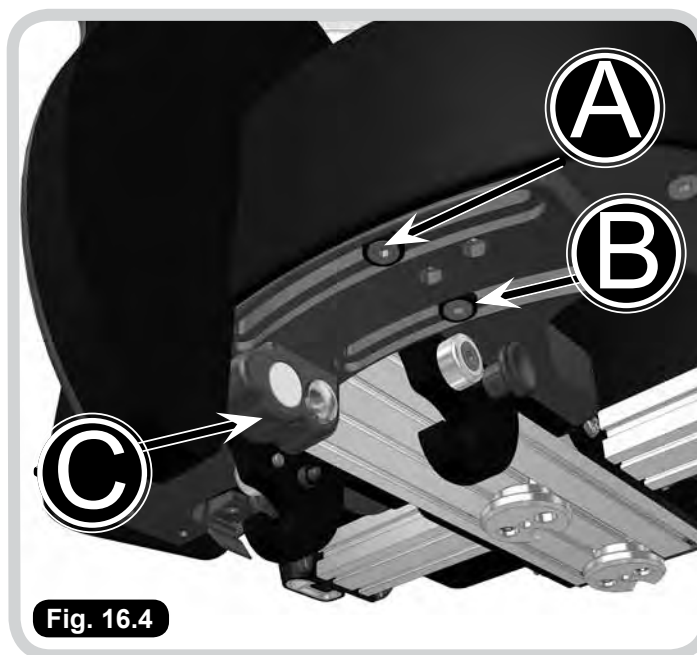


Fig. 16.4

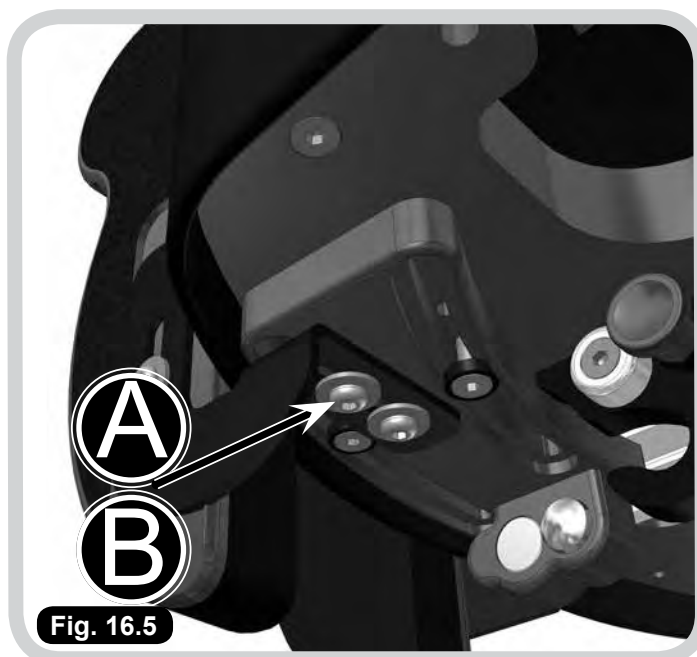


Fig. 16.5

17.0 Regolazione dell'appoggiatesta

Regolazione dell'inclinazione degli elementi laterali dell'appoggiatesta

Questo punto di regolazione consente di modificare la posizione degli elementi laterali dell'appoggiatesta per fornire un maggiore supporto laterale per il capo. Questo punto di regolazione consente di modificare l'inclinazione dell'appoggiatesta per sostenere il capo e il collo

- Aprire la cerniera sulla parte posteriore della fodera dell'appoggiatesta e allentare la leva di blocco (A).
- Regolare gli elementi laterali dell'appoggiatesta fino a portarli nella posizione desiderata.
- Quando si sarà raggiunta la posizione adeguata, stringere di nuovo i dadi per fissarli in posizione.

Per ogni elemento laterale dell'appoggiatesta procedere come segue.

Regolazione dell'inclinazione dell'appoggiatesta

- Le leve (B) devono essere azionate simultaneamente fino a raggiungere il posizionamento desiderato della testa dell'utente. Allentare le leve ruotandole in senso antiorario.
- Dopo averle allentate, regolare manualmente l'inclinazione dell'appoggiatesta per adattarlo alle esigenze dell'utente.
- Stringere le leve per fissare l'appoggiatesta in posizione.

Regolazione dell'altezza dell'appoggiatesta

- Allentare la manopola (C).
- Infilare l'appoggiatesta verso l'alto o verso il basso, nella staffa dello schienale di Pluton.
- Stringere la manopola per fissare l'appoggiatesta in posizione.

AVVERTENZA!

Controllare sempre che l'appoggiatesta sia ben bloccato in posizione e che gli elementi laterali non siano troppo aderenti alla testa. Gli elementi laterali dell'appoggiatesta sono impostati ad un'inclinazione di 45° indietro.

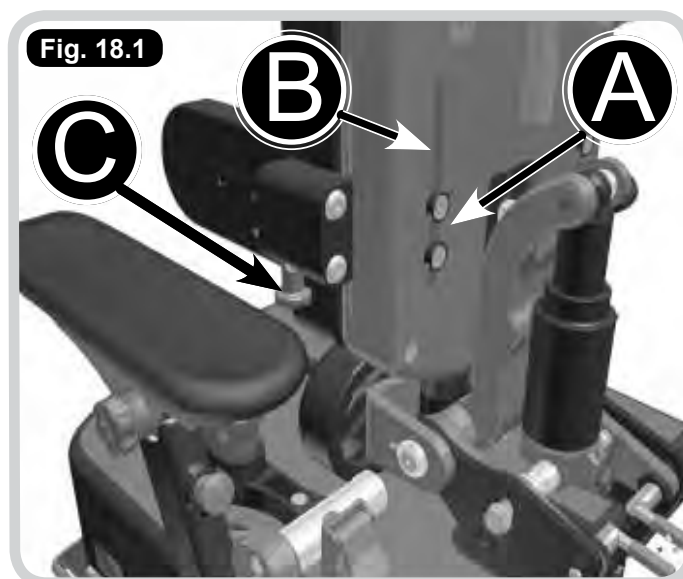
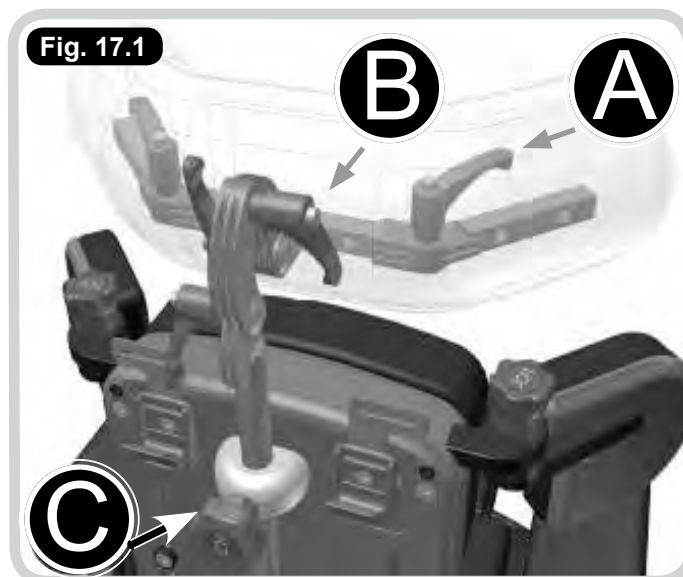
18.0 Regolazione dei sostegni laterali

Altezza e ampiezza degli pelotte toracali

- Allentare entrambi i bulloni (A) usando la chiave Allen fornita.
- Fare scorrere le pelotte toracali verso l'alto, o verso il basso, lungo la guida dello schienale (B) per regolarne l'altezza.
- Fare scorrere le pelotte toracali lateralmente per regolarne l'ampiezza.
- Stringere i bulloni Allen per fissare le pelotte in posizione.

Azione di ribaltamento (se presente)

- Tirare il perno di fissaggio (C) verso il basso.
- Ribaltare i sostegni per facilitare i trasferimenti o la seduta dell'utente.
- Alla conclusione di queste operazioni, riportare i sostegni nella loro posizione originaria facendoli "scattare" in posizione.



AVVERTENZA!

Verificare che i sostegni non siano troppo alti sotto le braccia dell'utente, né troppo stretti attorno all'area del torace facendo scorrere le dita all'interno dei sostegni stessi. Controllare anche che i sostegni non interferiscano con qualsiasi sondino di alimentazione.

19.0 Regolazione dei braccioli

Regolazione dell'altezza dei braccioli

- (A) indica il perno di fissaggio da utilizzare per regolare l'altezza dei braccioli e, quindi, anche l'altezza del tavolino.
- Tirare il perno di fissaggio (A) verso l'esterno allontanandolo dal bracciolo e, con la leva aperta, fare scorrere il bracciolo verso l'alto o verso il basso in corrispondenza di uno dei fori che diventeranno visibili quando si sposta il bracciolo verso l'alto a partire dalla sua posizione più bassa.
- Raggiunta la posizione desiderata, bloccare il bracciolo in posizione rilasciando la leva e verificare che ritorni correttamente in posizione.

Regolazione dell'inclinazione dei braccioli

- Per impostare l'inclinazione della parte superiore del bracciolo si deve allentare la manopola di blocco (B) facendola ruotare di un paio di giri in senso antiorario.
- Dopo averla liberata, la parte superiore del bracciolo potrà essere posizionata premendola verso il basso e modificando contemporaneamente, usando l'altra mano, la sua inclinazione.
- Quando sarà raggiunta la posizione desiderata, rilasciare la manopola e ruotarla in senso orario per stringerla completamente.

ATTENZIONE!

Il perno di fissaggio (A) deve poter essere estratto facilmente; in caso di resistenza verificarne il motivo.

Rimozione dei braccioli

(facilita il trasferimento laterale dell'utente)

- Per rimuovere completamente i braccioli (insieme al contenimento per il bacino) tirare il perno di fissaggio (C) verso l'esterno e mantenerlo tirato con una mano. Con l'altra mano sollevare l'intero gruppo del bracciolo rimuovendolo dal sedile.
- Per riposizionarlo, procedere in ordine inverso abbassando il gruppo del bracciolo sulla sua piastra di fissaggio (D) mantenendo aperto il perno di fissaggio per consentire di bloccarlo in posizione e, quindi, rilasciare il perno di fissaggio per consentire di bloccare il bracciolo nella sua posizione finale.

AVVERTENZA!

Prima di usare il sistema di seduta, accertarsi sempre che i braccioli siano adeguatamente fissati.

ATTENZIONE!

Inclinazione dei braccioli – In alternativa, si potrà posizionare la parte superiore dei braccioli senza premere verso il basso la manopola, anche se questa operazione non è consigliabile in quanto potrebbe ridurre la vita utile del meccanismo di blocco.

Fig. 19.1

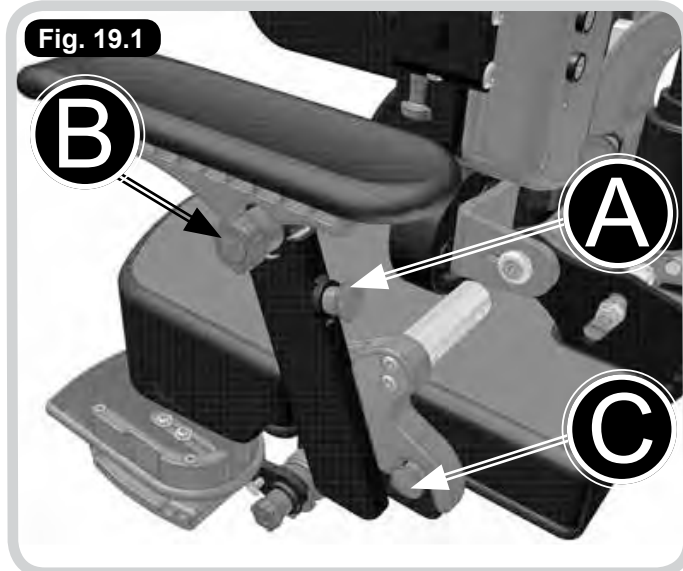
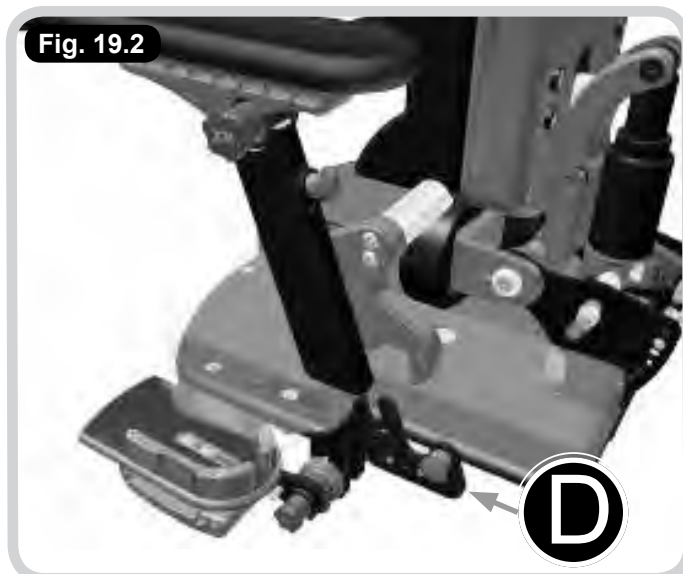


Fig. 19.2



20.0 Regolazione/rimozione del supporto per le gambe

In modo separato:

NOTA: Quando Pluton è dotato di supporto per le gambe/appoggiapiedi separati, sarà possibile impostare indipendentemente l'inclinazione dei sostegni sinistro e destro. Per eseguire questa operazione, attenersi alla procedura seguente per ogni supporto per le gambe.

Regolazione dell'inclinazione

- Tirare e mantenere tirato il perno di fissaggio (A) con una mano prima di regolare, con l'altra mano, l'inclinazione del supporto per le gambe fino a portarlo alla sua inclinazione finale.
- Raggiunta la posizione desiderata, rilasciare il fermo di fissaggio facendolo "scattare" nella posizione di blocco più vicina.
- Accertarsi che i perni di fissaggio siano correttamente bloccati in posizione.

Rimozione del supporto per le gambe

Facilita il trasferimento in posizione eretta.

NOTA: La rimozione dell'appoggiapiedi può facilitare il trasporto di Pluton o qualora Pluton debba essere montato su un telaio dotato di pedane integrate.

- Per rimuovere completamente i supporti per le gambe (insieme ai rispettivi appoggiapiedi), rimuovere il bullone di sicurezza (B) servendosi della chiave Allen da 4 mm fornita.
- Dopo la rimozione, tirare e mantenere tirato il perno di fissaggio (A) con una mano mentre, con l'altra, si ruota e si estrae il supporto per le gambe completo dall'unità di seduta principale.
- Per riposizionarlo, procedere in ordine inverso inserendo il supporto per le gambe nel gancio di fissaggio (C) mantenendo aperto il perno di fissaggio per consentire di bloccarlo completamente e, quindi, rilasciare il perno di fissaggio per bloccare il supporto per le gambe in posizione.
- Infine, reinserire e stringere il bullone di sicurezza servendosi della chiave Allen da 4 mm fornita.

Fig. 20.1

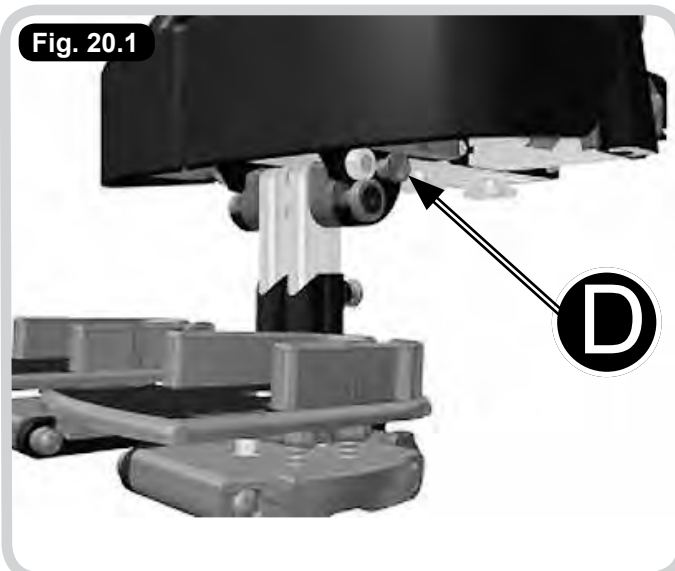
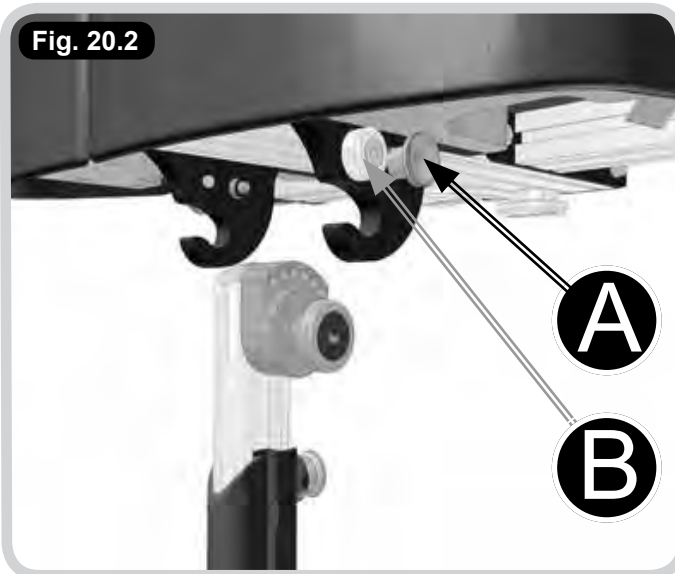


Fig. 20.2



21.0 Regolazione della posizione del piede

Regolazione dell'inclinazione dell'appoggiapiedi

- Per impostare l'inclinazione dell'appoggiapiedi si deve allentare la manopola di blocco (A) facendola ruotare di un paio di giri in senso antiorario.
- Una volta sganciato, l'appoggiapiedi potrà essere posizionato premendolo verso il basso e modificando contemporaneamente, usando l'altra mano, la sua inclinazione.

Quando si sarà raggiunta la posizione desiderata, rilasciare la manopola e ruotarla in senso orario fino a stringerla completamente.

Ribaltamento verso l'alto dell'appoggiapiedi

Facilita il trasferimento in posizione eretta.

- Premere il pulsante (B) con una mano e, con l'altra mano, ribaltare l'appoggiapiedi verso l'alto.
- Per riposizionare l'appoggiapiedi, farlo semplicemente ruotare verso il basso fino a quando si bloccherà nella sua posizione finale.

Altezza dell'appoggiapiedi

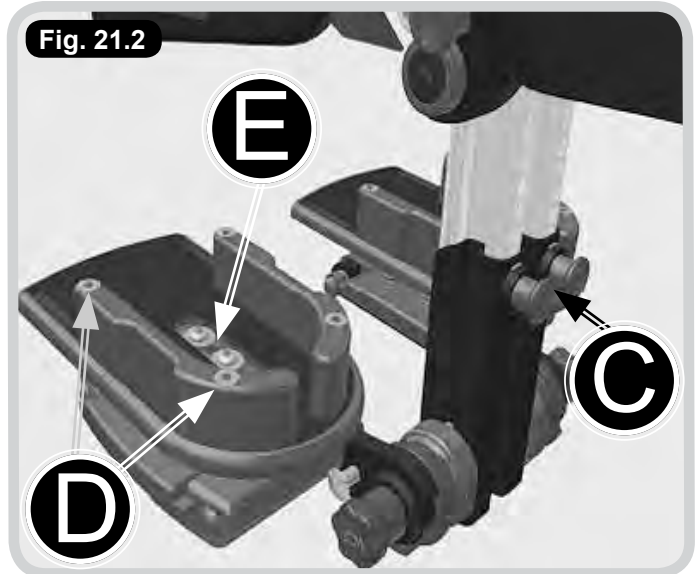
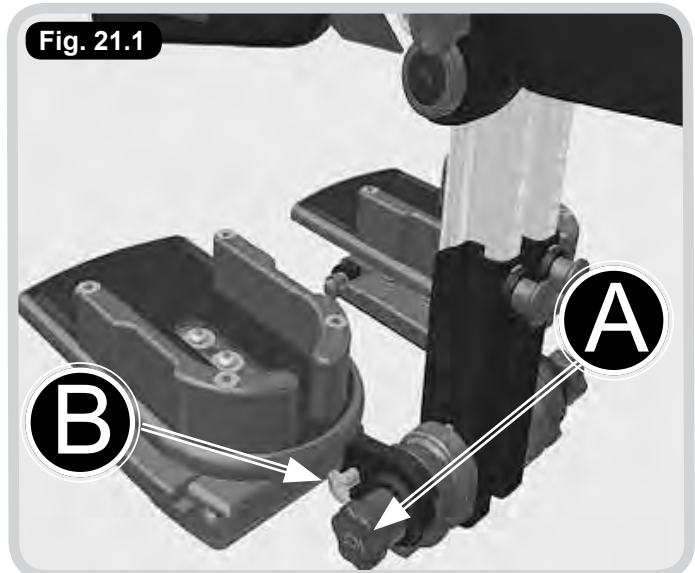
- Tirare e mantenere tirato il perno di fissaggio (C) e afferrare l'appoggiapiedi con l'altra mano.
- Dopo avere sbloccato l'appoggiapiedi, il tubo dell'appoggiapiedi dovrebbe poter scorrere liberamente verso l'alto, o verso il basso, lungo il tubo di supporto per le gambe.
- Prima di rilasciare il perno di fissaggio, fare scorrere l'appoggiapiedi fino alla posizione desiderata per bloccarlo in posizione in corrispondenza del foro di blocco più vicino.
- Prima di iniziare a usare Pluton, accertarsi che i perni di fissaggio siano adeguatamente bloccati.

Posizionamento del appoggiapiedi

NOTA: L'appoggiapiedi/pedana può essere adattato alla dimensione del piede, in avanti o indietro, lateralmente (ampiezza fra i piedi) e in base all'angolazione del piede (in unione con un abbutore). Qui di seguito si fornisce una descrizione per ciascuna di queste regolazioni.

Dimensione del piede

- Svitare di mezzo giro le viti di blocco (D) in senso antiorario servendosi della chiave Allen da 4 mm fornita.
- Fare scorrere la guida del tallone verso l'interno o verso l'esterno per ridurre/aumentare lo spazio disponibile per il piede.
- Prima di stringere la vite di blocco (D) per fissarla in posizione, ripetere l'operazione per l'altra guida del tallone.

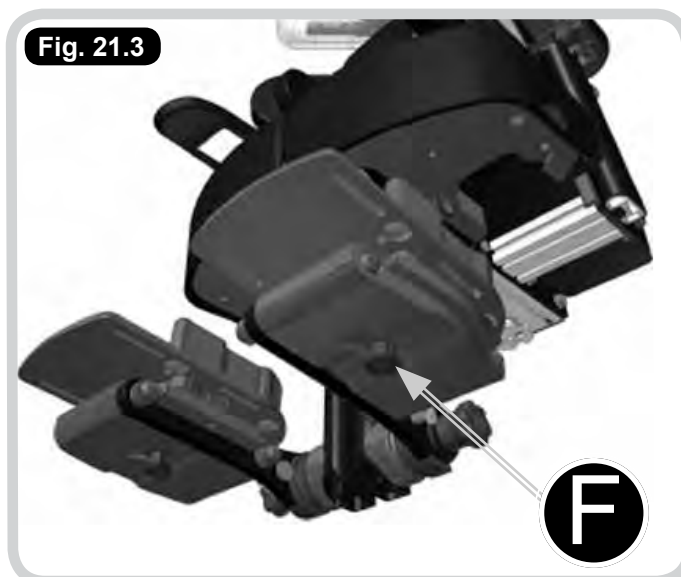


Regolazione anteriore e posteriore, rotazione

- Svitare di mezzo giro le viti di blocco (E) in senso antiorario servendosi della chiave Allen da 4 mm fornita.
- Fare scorrere l'intero appoggiapiedi in avanti o indietro e, contemporaneamente, regolarne la rotazione.
- Raggiunta la posizione desiderata, stringere le viti di blocco per fissare l'appoggiapiedi in posizione.

Regolazione laterale/ampiezza

- Tirare e mantenere tirato il perno di fissaggio (F) e afferrare l'appoggiapiedi con l'altra mano.
- Dopo averlo sbloccato, il supporto dell'appoggiapiedi potrà muoversi liberamente e lateralmente per riunire/separare i piedi come necessario.
- Raggiunta la posizione desiderata rilasciare il perno di fissaggio per bloccarlo in posizione in corrispondenza del foro di posizionamento più prossimo.
- Prima di iniziare a usare Pluton, accertarsi che i perni di fissaggio siano adeguatamente bloccati.



Cinghie per i piedi

Per fissare il piede, si potranno utilizzare cinghie per i piedi e sostegni per le caviglie facendoli passare attraverso le aperture del sandaletto. Fare passare la cinghia all'interno della fibbia e chiuderla per bloccarla.

AVVERTENZA!

Non usare le cinghie per i piedi se l'utente non indossa scarpe.

ATTENZIONE!

- Il perno di fissaggio (C) deve poter essere estratto facilmente; in caso di resistenza verificarne il motivo.
- Inclinazione dell'appoggiapiedi – In alternativa, si potrà posizionare l'appoggiapiedi senza spingere verso il basso la manopola, anche se questa operazione non è consigliabile in quanto potrebbe ridurre la vita utile del meccanismo di blocco.

22.0 Impostazione dello schienale dinamico

ATTENZIONE!

- Non modificare mai il sistema ammortizzatore. La modifica, un servizio di assistenza non adeguato, l'uso non appropriato di parti di ricambio o l'uso di parti di ricambio non originali invaliderà la garanzia e potrebbe causare malfunzionamenti e provocare lesioni gravi.
- Attenersi al programma di manutenzione previsto e, se il sistema ammortizzatore presenta malfunzionamenti, quali perdita d'olio, rumori inusuali o in presenza di flessione o rottura di qualsiasi elemento, interrompere immediatamente l'uso del sistema di seduta e contattare Sunrise Medical per ricevere assistenza.
- Non cercare mai di aprire, o smontare, il sistema ammortizzatore. L'apertura del sistema ammortizzatore potrebbe provocare lesioni gravi all'utente.

Impostazione del livello di resistenza e di ritorno

Per il massimo livello di prestazioni e di comodità, sarà necessario regolare il livello di resistenza e di ritorno del meccanismo dinamico (A). La resistenza viene impostata modificando la pressione dell'aria in base al peso, alla posizione di seduta, al design del sedile e alle preferenze personali dell'utente.

La pressione dell'aria viene regolata da una pompa per sistema ammortizzatore con valvola Schrader standard (B) applicata alla valvola dell'aria principale del meccanismo dinamico.

Resistenza forte:

Aumento della pressione dell'aria

Durante l'uso, è più difficile aumentare la compressione del sistema ammortizzatore. Lo schienale di Pluton, quando sullo stesso si esercita una certa pressione, sembra essere più resistente.

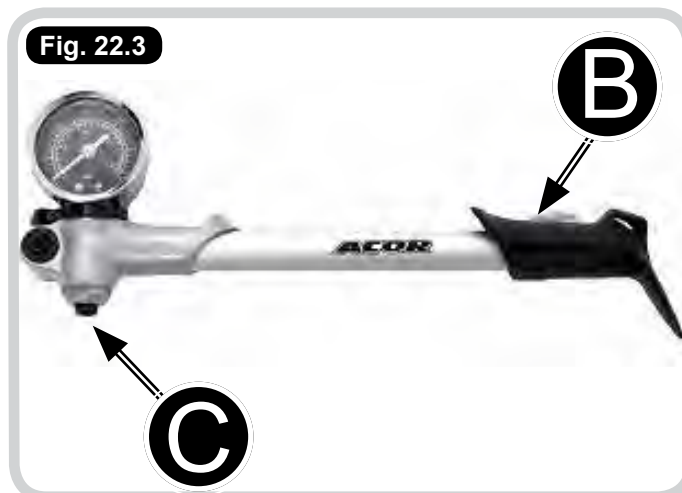
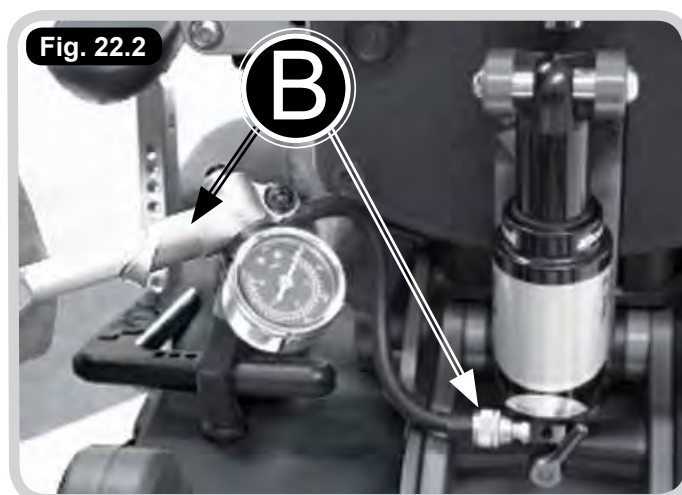
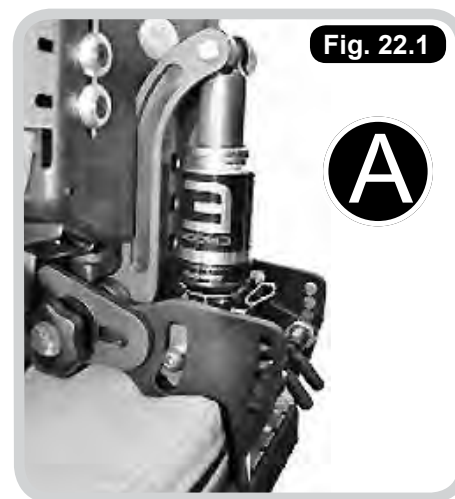
- Attaccare la pompa alla valvola dell'aria sul retro del meccanismo dinamico (B).
- Per aumentare la pressione, pompare aria nella valvola.
- Per determinare la quantità di pressione applicata, controllare il manometro della pressione della valvola.

Resistenza debole:

Diminuzione della pressione dell'aria

Consente di comprimere più facilmente il sistema ammortizzatore. Lo schienale di Pluton, quando sullo stesso si esercita una certa pressione, sembra essere più morbido.

- Premere il pulsante (C) della pompa e mantenerlo premuto fino a quando la resistenza della pressione dell'aria raggiunge il livello desiderato.



ATTENZIONE!

- Il range di pressione va da 50 a 250 psi (3,45-17,24 bar).
- In un sistema ammortizzatore non compresso, non superare mai una pressione di 250 psi (17,24 bar).
- Il superamento della pressione massima dell'aria oltre 250 psi (17,24 bar) potrebbe provocare lesioni gravi.

Impostazione del livello di ritorno

Il livello di ritorno controlla la velocità alla quale il sistema ammortizzatore si decomprime o si ristabilizza. La velocità di ritorno necessaria dipende dal peso dell'utente, dalla costante della molla impostata dalla pressione dell'aria, dalla frequenza d'uso, dallo stile di seduta e dalle preferenze personali.

Il modo migliore per regolare la velocità di ritorno è diminuirla completamente ruotando in senso orario la rotellina di regolazione rossa (D) (regolare su lento, [E]) ed effettuare una prova con l'utente accomodato sul sistema. Ruotare lentamente la rotellina di regolazione in senso orario (verso veloce, [E]) fino a quando l'utente si sente comodo e sicuro senza che le sospensioni lo spingano troppo in avanti.

Disattivazione del meccanismo

Occasionalmente, per es., quando si consumano i pasti ecc., potrebbe essere necessario disattivare il meccanismo dinamico. Per farlo, procedere come segue:

- Bloccare il sistema portando la leva da "aperto" a "bloccato" sulla leva del sistema ammortizzatore (F).
- Durante l'uso normale, il meccanismo non dovrebbe essere lasciato in posizione "bloccata". Alla conclusione di un'attività che richiede il blocco del sistema, accertarsi che il meccanismo venga riportato nella posizione "aperto".

Programma di manutenzione

Il sistema ammortizzatore posteriore richiede un livello di manutenzione minimo e per pulire il sistema, utilizzare unicamente acqua e sapone.

⚠ ATTENZIONE!

Per pulire il sistema ammortizzatore, non utilizzare mai pulitori a pressione in quando potrebbero fare penetrare acqua all'interno del sistema.

Prima di ogni utilizzo:

- Controllare la pressione dell'aria (è normale che un sistema ammortizzatore sia soggetto a lievi perdite di aria nel corso del tempo) – Verificare che sia impostato in modo adeguato per l'utente.
- Regolare la velocità di ritorno per assicurare che sia adeguata alle esigenze dell'utente.

⚠ AVVERTENZA!

- Gli interventi di assistenza completi dei componenti interni del sistema ammortizzatore devono essere eseguiti da tecnici autorizzati.
- Tenere presente che il sistema ammortizzatore dello schienale Sunrise Medical contiene olio e azoto. Ciò rende impossibile aprire il sistema ammortizzatore dello schienale senza avere le specifiche competenze e gli strumenti adatti necessari per eseguire questo lavoro. Non cercare di aprire il sistema ammortizzatore dello schienale per eseguire interventi di manutenzione in quanto questa operazione potrebbe causare gravi lesioni. A parte questo, non si sarà in grado di rimontare il sistema. L'apertura del sistema ammortizzatore invaliderà la garanzia.
- Se il sistema ammortizzatore presenta dei problemi, interrompere immediatamente l'uso di Pluton e mettersi in contatto con Sunrise Medical.

Fig. 22.4

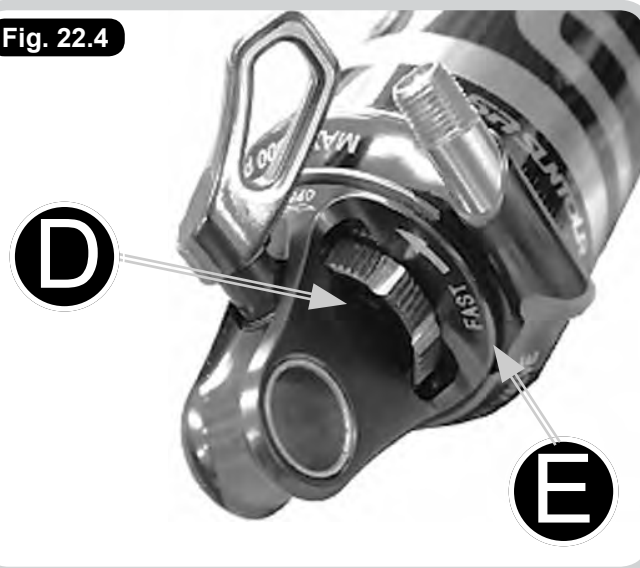


Fig. 22.5



23.0 Pulizia e manutenzione

Per la corretta pulizia dell'apparecchiatura si raccomanda di procedere come segue:

NOTA: È possibile che, dopo questo processo, alcune superfici si raggrinziscano.

Manutenzione del rivestimento di tessuto

Non usare prodotti di pulizia a base di candeggina, acidi, solventi o altri prodotti di pulizia biologici o a base di fenoli.

Struttura metallica

- Dopo aver rimosso il rivestimento si potrà procedere con la pulizia della struttura metallica utilizzando acqua saponata e detergente, oppure un sistema di pulizia a vapore. (In quest'ultimo caso potrebbe essere necessario sostituire la/le etichetta/e).
- Accertarsi che, dopo la pulizia, il telaio sia completamente asciutto.
- Accertarsi sempre di lubrificare nuovamente ogni elemento mobile o regolabile.

24.0 Manutenzione generale

La manutenzione generale deve essere eseguita da personale competente che abbia ricevuto la formazione adeguata su come utilizzare l'apparecchiatura (vedere le norme di garanzia, a pag. 33); se non fosse disponibile personale preparato, oppure se fosse richiesta un'ispezione più approfondita, prenotare una sessione di assistenza presso un rivenditore autorizzato. La persona che esegue i controlli di manutenzione, o che fornisce l'assistenza, deve sempre compilare un rapporto di assistenza (pag. 32) per assicurare la continuazione della validità della garanzia.

Come indicato qui di fianco, il grado di manutenzione richiesto dipende da diversi fattori correlati all'uso del prodotto. Oltre alle avvertenze per le operazioni di regolazione specifiche descritte in questo manuale, si deve prevedere un'ispezione semestrale approfondita dei componenti seguenti:

NOTA: Vedere la Tabella di manutenzione a pagina seguente.

NOTA: I punti elencati in questa tabella sono punti generici che valgono per tutta la gamma Sunrise Medical e non si applicano necessariamente a tutti i prodotti

Tabella di manutenzione	
Ruote anteriori	Sollevarre la base e controllare ogni ruota per verificare che non sia danneggiata, allentata o usurata.
Freni	Rimuovere ogni accumulo di grasso o sporcizia sulle ruote, controllare l'operatività dei freni con le ruote in movimento. Controllare che siano correttamente fissate in posizione e che non presentino segni di danneggiamento o di usura.
Maniglie di spinta	Verificare che le maniglie funzionino correttamente. Controllare che non presentino segni di danneggiamento o di usura. Verificare che le impugnature delle maniglie siano correttamente fissate.
Meccanismo di basculamento del sedile	Dopo aver rilasciato il blocco di basculamento, controllare che il sedile si possa muovere liberamente e che il meccanismo, le leve e i cavi non presentino segni di danneggiamento o di usura. Stringere il blocco e verificare che mantenga la corretta inclinazione del sedile.
Regolazione dell'altezza della base	A sedile vuoto, premere la leva e accertarsi che il sedile possa muoversi liberamente fino a raggiungere l'altezza massima. Nelle varie fasi di verifica, aggiungere il carico massimo ammesso (40, 60, 80 o 100 kg) e, a intervalli di tempo predefiniti (10-15 minuti circa), controllare che non si siano verificati cedimenti (abbassamenti) del sedile. Se non è possibile eseguire questa prova, il requisito minimo previsto è di monitorare, immediatamente dopo il controllo di manutenzione, la posizione statica del sedile quando è occupato da un utente. A sedile occupato, premere la leva e accertarsi che il sedile possa muoversi liberamente fino a raggiungere la posizione più bassa.
Rivestimento sedile/schienale	Controllare la tenuta dei punti di fissaggio del rivestimento del sedile e dello schienale. Controllare che il rivestimento non sia usurato. La presenza di un rivestimento fortemente usurato potrebbe generare disagio e renderne difficile la pulizia per assicurare l'adeguato livello di igiene, con conseguente irritazione della pelle.
Interfacce	Controllare che non presentino segni di danneggiamento o di usura. Accertarsi che le loro funzioni garantiscano l'adeguato funzionamento del sistema di seduta.
Telaio Se sottoposto a una corretta manutenzione, il telaio dovrebbe garantire una durata di almeno 5 anni senza problemi ma, in base alle condizioni di utilizzo, potrebbe essere soggetto a usura e, in questo caso, si raccomanda di procedere con un'ispezione di tipo approfondito.	Controllare tutti i componenti metallici per verificare che non presentino segni di danneggiamento o di usura, prestando particolare attenzione alle parti regolabili o mobili. Controllare che i giunti e le saldature non presentino segni di usura. Controllare il serraggio e la sicurezza di tutti gli accessori, dei bulloni, dei dadi, degli elementi caricati a molla e di altri accessori aggiunti. Verificare che non vi siano segni di usura, sostituire le parti che presentano segni di usura o che si allentano ripetutamente. I PUNTI DI ANCORAGGIO (quando presenti) per il trasporto devono essere controllati per verificarne la sicurezza; controllare che non presentino segni di danneggiamento, usura o guasti.
Attrezzature	Controllare le imbottiture dei braccioli e dell'appoggiatesta e sostituirle se risultano usurate.

Che cosa è necessario eseguire durante un intervento di assistenza?

Si tratta di un intervento composta da una serie di procedure di ispezione, di manutenzione e di riparazione o sostituzione di componenti usurati, guasti o mancanti. Quando si procede con un intervento di assistenza, si devono tenere in considerazione lo sviluppo corporeo e qualsiasi altro cambiamento avvenuto sugli utenti. Si tratta di un intervento diverso dalla manutenzione ordinaria (qui a fianco) che richiede solo semplici controlli, ispezioni e regolazioni e la pianificazione di interventi di assistenza primari.

Che cosa si deve fare in caso di guasto?

Se si rileva un qualsiasi guasto che si ritiene possa compromettere la sicurezza dell'utente o dell'assistente, interrompere immediatamente l'utilizzo del sistema fino alla sua completa riparazione.

Chi deve eseguire l'assistenza?

Questa operazione deve essere eseguita solo da tecnici approvati da Sunrise Medical o da personale adeguatamente formato per operare su dispositivi medici di Classe 1.

Non eseguire alcuna modifica senza preventiva autorizzazione di Sunrise Medical. Tenere presente che ogni modifica non autorizzata potrebbe mettere a rischio l'utente e gli accompagnatori. Le modifiche non autorizzate, inoltre, invalidano la garanzia.

Tutti gli accessori applicati successivamente devono essere componenti originali approvati da Sunrise Medical e montati nel rispetto delle specifiche fornite da Sunrise Medical.

Frequenza dell'assistenza

Sunrise Medical raccomanda di far controllare questo prodotto ad intervalli almeno semestrali. Tuttavia, la frequenza delle ispezioni e dell'assistenza potrebbe anche variare a seconda del tipo di utilizzo del prodotto. Il suo utilizzo viene definito pesante e continuo quando il sistema viene utilizzato in uno dei modi seguenti. Pertanto, in questi casi, si raccomanda di ridurre gli intervalli di assistenza a uno ogni tre mesi;

- Quotidiano per un uso da 8 a 10 ore.
- Settimanale se utilizzato almeno 6 giorni su 7.
- Mensile se utilizzato per almeno 11 mesi l'anno.
- Da un utente attivo o da qualcuno che è volontariamente, o involontariamente, attivo.
- Da un utente con peso superiore all'80% rispetto al peso raccomandato per l'utente.
- Trasportato due o più volte al giorno su un veicolo in movimento.



ATTENZIONE!

Se l'utilizzo supera i limiti qui sopra indicati, è possibile che si renda necessario un intervento di assistenza ogni 6 settimane, o a intervalli inferiori.

Come prenotare un intervento di assistenza

Per l'assistenza dei propri prodotti, Sunrise Medical mette a disposizione tecnici specificatamente formati. Se si desidera che Pluton venga sottoposto ad assistenza da parte di Sunrise Medical, oppure per ottenere altre informazioni, contattarci al numero 0523 573111.

In alternativa, contattare il rivenditore presso cui è stato acquistato il prodotto.

26.0 Registro degli interventi di assistenza

Questo registro è un documento importante per l'utilizzo e l'assistenza fornita al prodotto. Si tratta di uno strumento fondamentale che consente di pianificare la necessità di ulteriore assistenza e manutenzione. Deve essere compilato ogni volta che vengono eseguiti interventi di ispezione, di assistenza o qualsiasi altra modifica. Per qualsiasi richiesta relativa alla garanzia, o per ordinare componenti, Sunrise Medical richiederà di fornire lo storico degli interventi di assistenza.

Numero di serie del sistema di seduta _____

Data della consegna _____ / _____ / _____

Utilizzo della batteria a partire dal _____ / _____ / _____

Data	Intervento di assistenza eseguito	Organizzazione	Nome e cognome in stampatello e firma

Se sono necessari altri fogli per il registro, mettersi in contatto con Sunrise Medical.

27.0 Ispezione e riutilizzo dell'apparecchiatura

La maggior parte dei prodotti di Sunrise Medical, prima di essere ricondizionati e riutilizzati, vengono singolarmente valutati sulla base delle esigenze del cliente. Vengono consegnati in modalità controllata per assicurare il livello ottimale di adeguatezza e di rispetto delle specifiche, verranno eseguiti i controlli e al cliente verranno fornite verbalmente tutte le informazioni necessarie. Pertanto, prima di rimettere in servizio un prodotto, si raccomanda di attenersi a quanto qui di seguito riportato:

Pulizia

Sottoporre il prodotto a un rigoroso processo di pulizia per decontaminarlo e per eliminare la possibilità di infezioni crociate.

Valutazione di tessuti/imbottiture

Valutare attentamente le condizioni dei tessuti e delle imbottiture di Pluton e, se necessario, procedere con la loro sostituzione completa o parziale. Nei casi più gravi, ovvero quando il telaio è usurato e il sedile è in condizioni non adeguate, potrebbe essere necessario richiedere al produttore il ricondizionamento del prodotto. Nei casi estremamente gravi, ovvero quando il telaio è gravemente usurato e il sedile si trova in condizioni inaccettabili, non usare più il prodotto e smaltirlo.

Smaltimento delle apparecchiature elettriche ed elettroniche

Se il prodotto è dotato di funzioni elettroniche, contattare Sunrise Medical o il rivenditore autorizzato per ottenere le informazioni relative allo smaltimento.

Adeguatezza dell'apparecchiatura

Verificare che l'apparecchiatura fornita sia adeguata alle necessità dell'utente, prendendo in considerazione l'età, il peso, le capacità, lo stato di salute e qualsiasi altro fattore ritenuto importante. Per esempio, i prodotti di Sunrise Medical potrebbero non risultare adatti per le persone con modelli di comportamento particolarmente problematici. Inoltre, accertarsi che l'utente non sia in grado di andare oltre i limiti di utilizzo in sicurezza specificati. Il rivenditore locale potrà fornire tutte le informazioni necessarie.

Manuali e registrazioni

Accertarsi che l'utente abbia sempre a portata di mano queste istruzioni e qualsiasi altro manuale relativo al sistema di seduta, e mantenere aggiornato il registro storico degli interventi di assistenza. Per assicurare la corretta tracciabilità, è necessario aggiornare i dati relativi all'utente.

Controllo

Prima della rimessa in servizio, l'apparecchiatura deve essere sottoposta a un controllo rigoroso sulla base dei punti previsti dalle regolari procedure di ispezione semestrali, e questo indipendentemente da altre ispezioni precedentemente eseguite. L'apparecchiatura non deve presentare segni di usura eccessiva, né qualsiasi altro tipo di deformazione della sua struttura principale o degli accessori.

Condizione

Le ruote, gli pneumatici e i freni devono essere in buone condizioni, adeguatamente regolati e gonfiati alla pressione appropriata.

Accessori

Controllare attentamente tutti gli accessori per verificare l'eventuale presenza di danni e possibili mancanze che potrebbero mettere a rischio l'utente.

Funzioni

Controllare che tutte le funzioni del sistema di seduta funzionino correttamente, per es., il basculamento, la regolazione dell'altezza o della reclinazione dello schienale, il sistema di chiusura ecc.

Agganci

Controllare che tutte le manopole, le manopole girevoli, i dadi, i bulloni, le leve e i componenti di fissaggio siano in buone condizioni e adeguatamente fissati in posizione.

Modifiche

Qualsiasi modifica speciale, adattamento, cambiamento, o qualsiasi altra procedura, compresi gli accessori installati, richiede una nuova verifica. In caso di problemi avviare immediatamente azioni correttive per risolvere il problema.

Etichette

È necessario rimuovere qualsiasi etichetta relativa all'utente precedente e sostituirla con l'etichetta specifica per il nuovo utente.

Regolazione

La regolazione dell'apparecchiatura per adattarla al nuovo utente deve essere eseguita da personale adeguatamente qualificato e competente. Queste regolazioni e gli altri controlli e prove ritenuti necessari devono essere eseguiti dopo aver informato e ottenuto il consenso del proprietario.

Consegna

La corretta procedura di consegna dell'apparecchiatura al nuovo utente, o assistente, deve prevedere l'adeguata formazione per un utilizzo sicuro dell'apparecchiatura, in particolare per quanto riguarda le operazioni di trasporto.

Imballaggio

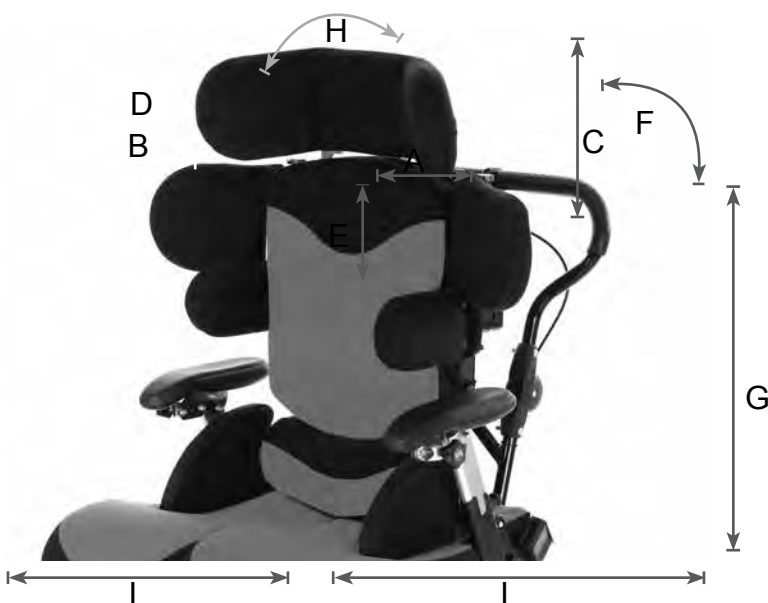
Prima della spedizione, accertarsi sempre che il sistema di seduta sia stato adeguatamente imballato.

Applicazione della maniglia di spinta

Tenere presente che la maniglia di spinta montata dipende dalle dimensioni del sistema Pluton. Pertanto, sarà necessario controllare che le dimensioni riportate sull'etichetta della maniglia di spinta corrispondano a quelle del Pluton sulla quale sarà applicata.

Maten & Nuttige informatie

AFMETINGEN (mm)	Pluton 1		Pluton 2		Pluton 3		Opmerkingen
	MIN.	MAX.	MIN.	MAX.	MIN.	MAX.	
A Diepte zitting	200	350	300	450	400	550	
B Breedte zitting (Tussen heupen)	150	250 (315)	230	330 (395)	310	410 (475)	(mm) - Wanneer Heupkussens zijn verwijderd
C. Zitting tot bovenzijde schouder	300	440	390	560	480	680	
D Borstbreedte	150	270	230	350	310	430	
E Zitting tot voetenplaat	190	370	260	440	330	510	Beenlengte heeft 2 instellingen Min/Max
F Zitting tot hoek rugleuning							
Gewicht zitting	14,5 kg		17,0 kg		19,5 kg		Richtlijn (incl. armen, heupen, lateralen, voetenplaten)
Capaciteit belasting							Kijk altijd naar de maximale belasting van het chassis
Richtlijnen leeftijd	4 - 9 jaar		8 - 12 Jaar		12 - volwassen		
Maten wanneer gemonteerd op een 'Meervoudige hoogte en kantel'- basis							
G Zitting tot bodem			100mm zwenkwiel: Min - 355 / Max - 815			100mm is standaard	
H Kanteling / Voorwaartse hoek							
I Basis Voetenplaat							
<p>De Pluton is een modulair zitsysteem waarbij de keuze van zitting, rugleuning, breedte en lengte van been, bij de beoordeling kan worden gespecificeerd. Hierna wordt het zitsysteem gebouwd om vanaf het begin de optimale aanpassing & maximale groei te verzekeren. De in deze handleiding gegeven afmetingen bieden een richtlijn voor de beschikbare standaardmaten.</p>							



Merk op dat alle maten slechts indicatief zijn bedoeld. Sunrise Medical kan de stoel aan uw exacte eisen aanpassen. Onze Productspecialisten zullen uw kind bekijken om ervoor te zorgen dat de stoel nu en in de toekomst geschikt is voor zijn doel.

Inleiding

Beste klant,

Wij zijn erg blij dat u gekozen hebt voor een kwalitatief hoogstaand SUNRISE MEDICAL-product.

De Pluton is ontworpen om gemak en ondersteuning aan het lichaam te bieden. Het systeem is beschikbaar in vijf maten die geschikt zijn voor kinderen vanaf 6 maanden tot volwassenen.

Deze instructiehandleiding bevat zeer belangrijke informatie over het Pluton zitsysteem, hoe u de stoel veilig kunt gebruiken en optimaal plezier van uw stoel kunt beleven. Lees voor gebruik alle informatie in deze handleiding zorgvuldig door en bewaar de informatie zodat u het later nog eens kunt doornemen. Zorg ervoor dat iedereen die dit hulpmiddel gebruikt, de inhoud van de handleiding kent en begrijpt hoe deze stoel veilig gebruikt kan worden.

De handleiding biedt richtlijnen voor aanpassingen die door professionele zorgverleners uitgevoerd moeten worden, maar hij biedt ook praktische informatie over hoe de stoel veilig gebruikt, onderhouden, gecontroleerd en veilig in elkaar gezet kan worden, door iedereen die het zitsysteem gebruikt.

De stoel moet in ieder geval worden geleverd via een gekwalificeerde deskundige die de stoel kan aanpassen, controleren of de stoel aan alle eisen voldoet en hem op de juiste wijze kan testen.

Het zitsysteem mag uitsluitend worden aangepast door gekwalificeerd personeel en personen die hiervoor zijn opgeleid. Als u meer informatie wilt hebben, kunt u contact met ons opnemen. De contactgegevens staan hieronder vermeld.

Wij danken u dat u ons product hebt gekocht en we hopen dat u veel plezier zult hebben van uw nieuwe zitsysteem.

Gebruik

Instellingen voor een begeleider zijn uitsluitend bedoeld voor personen die niet kunnen lopen of verminderd mobiel zijn. De rolstoel is bedoeld voor persoonlijk gebruik, zowel binnens- als buitenshuis.

Het maximale gewicht dat de stoel kan dragen (dit is het gewicht van de gebruiker en eventuele accessoires die aan de stoel zijn bevestigd) staat vermeld bij het serienummer; dit vindt u aan de kruisstang of stabiliseerstang onder de zitting.

Aansprakelijkheid wordt uitsluitend geaccepteerd indien het product wordt gebruikt onder die specifieke omstandigheden en voor het doel waarvoor het product is gemaakt.

De verwachte levensduur van het product is vijf jaar. Monteer of gebruik GEEN onderdelen van derden op de zitsysteem, tenzij deze officieel goedgekeurd zijn door Sunrise Medical.

GEVAAR!

- Monteer nooit niet-erkend elektrisch apparatuur.
- Breng geen elektrische of mechanisch voortgedreven mobiliteitsapparatuur aan op de stoel, of andere apparaten die het bedoelde gebruik of de structuur van het zitsysteem veranderen.
- Voor iedere combinatie met andere medische hulpmiddelen is rechtstreekse goedkeuring van Sunrise Medical nodig.

Toepassingen

De keuze aan beschikbare accessoires en het modulaire ontwerp betekenen dat de rolstoel kan worden gebruikt door personen die niet kunnen lopen of beperkt mobiel zijn vanwege:

- Verlamming
- Amputatie (van been of benen)
- Disfunctioneren of misvorming van been of benen
- Contractuur van/letsel aan gewrichten
- Ziektes zoals hart- en vaatziekten, evenwichtsstoornissen of cachexie.
- Wanneer wordt overwogen om bepaalde voorzieningen aan te brengen, denk dan aan het volgende: de lichaamslengte en -omvang, het lichaamsgewicht, de fysieke en mentale conditie, de leeftijd van het kind, de leefomstandigheden en de omgeving.

Gebruiksvoorwaarden

Het zitsysteem met begeleidersinstellingen kan zowel binnen als buiten worden gebruikt, op een droge, stevige, relatief vlakke ondergrond. Het wordt niet aanbevolen om de rolstoel te gebruiken tijdens storm, zware regenval, sneeuw en ijs, of andere extreme weersomstandigheden.

Inhoudsopgave

Maten & Nuttige informatie	132
Inleiding	133
Gebruik	133
Toepassingen	133
Inhoudsopgave	134
Definities	135
Betekenis van woorden die in deze handleiding worden gebruikt	135
1.0 Belangrijke veiligheidsaanbevelingen	136
2.0 Garantie	137
3.0 Remmen	138
Remmen, (Indoor basisframes)	138
Remmen toepassen	138
Remmen ontkoppelen	138
4.0 Aanpassingen borstharnas	138
Borstharnas	138
Bevestiging aan de stoel	139
Vastmaken van de gordels	139
5.0 Veiligheid heupgordel	139
Heupgordel aanpassen	139
Positionering van harnas en heupgordel	140
6.0 Stelpunten en gebruik hendel	141
Stelpunten aan onderzijde zitsysteem, (Fig. 6.1)	141
Effectief gebruik van vergrendelingshendels (Wanneer gemonteerd)	141
7.0 Gebruik hendel - met gebruik van index vergrendeling	142
Het gebruik van de Index vergrendeling (uitsluitend het vergrendelende type)	142
8.0 Aanpassen van de schouder pelotten	142
Kussen- / Schouderbreedte	142
Kussen / Protractiehoek	142
9.0 Zitting	143
Bevestiging	143
Verwijdering	144
Handmatige aanpassing zithoogte	144
Elektrische aanpassing hoogte basis	144
10.0 Kantelmechanisme	145
'Meervoudige hoogte en kantel'- basis	145
11.0 Wegklapbaar duwhandvat	145
Basis met verstelbare hoogte en kanteling	145
12.0 Aanpassing '5 Star'- basis	146
Om de stoel omhoog te brengen	146
Om de stoel omlaag te brengen	146
Kantelen op de '5 Star'-basis	146
13.0 Rugleuning instelling	147
Rughoek instelling	147
Rughoogte instelling	147
14.0 Zitdiepte aanpassing	148
Aanpassen van de zitdiepte (Fig. 14.1)	148
15.0 Monteren van een werkblad	148
Instructies montage werkblad (Fig. 15.1 - 15.2)	148
16.0 Aanpassing kussen	149
Aanpassing bekkensteun (Fig. 16.1)	149
Aanpassing heupkussen (Fig. 16.2)	149
Aanpassing dijbeenkussen (Fig. 16.3 - 16.5)	150

17.0 Aanpassing hoofdsteun	151
Aanpassing van de hoek van de vleugel	151
Aanpassen van de hoek van de hoofdsteun	151
Aanpassen van de hoogte van de hoofdsteun	151
18.0 Aanpassing laterale ondersteuning	151
Hoogte & Breedte van ondersteunende elementen	151
Wegklapbare actie (waar gemonteerd)	151
Aanpassing van de hoogte van de armleuning	152
Aanpassing hoek armleuning	152
De armsteun verwijderen.	152
20.0 Aanpassing/Verwijdering beensteun	153
Gedeelde optie:	153
Aanpassing hoek	153
Verwijderen van de beenstang	153
21.0 Aanpassing voetpositie	154
Aanpassing hoek voetenplaat	154
Omhoog klappen van de voetenplaat	154
Hoogte voetenplaat	154
Positionering van de voetenhouder	154
Voetmaat	154
Aanpassing in voorwaartse of achterwaartse richting, draaiing	155
Aanpassing breedte	155
Voetbanden	155
22.0 Instelling dynamische rugleuning	156
Instellen van de weerstand en terugkeerkracht	156
Opvoeren van de luchtdruk	156
Verlagen van de luchtdruk	156
Instellen van de terugkeerkracht	157
Het mechanisme ontkoppelen	157
Onderhoudsschema	157
23.0 Reiniging en Verzorging	158
Onderhoud Stoffen bekleding	158
Metalen frame	158
24.0 Algemeen onderhoud	158
25.0 Servicebeurt door Erkende dealer	160
Wat moet er tijdens een servicebeurt worden gedaan	160
Wat gebeurt er als er een defect wordt aangetroffen	160
Wie moet de servicebeurt uitvoeren?	160
Frequentie onderhoud	160
Hoe boekt u een servicebeurt?	160
26.0 Onderhoudslogboek	161
27.0 Inspectie en heruitgave van product	162
Reiniging	162
Beoordeling van de bekleding / het schuim	162
Uit bedrijf nemen van elektrische en elektronische apparatuur	162
Geschiktheid van product	162
Handleidingen en gegevens	162
Inspectie	162
Conditie	162
Accessoires	163
Functie	163
Bevestigingsmaterialen	163
Aanpassingen	163
Labels	163
Aanpassing	163
Overdracht	163
Verpakking	163
Bevestiging van hendel	163

Definities

Betekenis van woorden die in deze handleiding worden gebruikt

Woord	Betekenis
 GEVAAR!	De gebruiker wordt geattendeerd op de kans op ernstig letsel of overlijden indien het advies niet wordt opgevolgd.
 WAARSCHUWING!	De gebruiker wordt geattendeerd op de kans op letsel indien het advies niet wordt opgevolgd.
 OPGELET!	De gebruiker wordt geattendeerd op de kans op schade aan de apparatuur indien het advies niet wordt opgevolgd.
OPMERKING:	Algemeen advies of beste gebruik
	Verwijzing naar aanvullende documentatie

OPMERKING:

Mogelijk is het getoonde en beschreven zitsysteem in deze handleiding qua detail niet precies hetzelfde is als uw eigen model. Alle instructies zijn echter belangrijk, ongeacht de verschillen in detail.
 De fabrikant houdt zich het recht voor zonder opgaaf gegevens met betrekking tot gewicht, maten of andere technische gegevens zoals genoemd in deze handleiding, te wijzigen. Alle afbeeldingen, maten en mogelijkheden zoals getoond in deze handleiding zijn slechts indicatief en bevatten geen specificaties.

OPMERKING:

Noteer het adres en telefoonnummer van uw plaatselijke dealer in de daarvoor bestemde ruimte.
 Neem in het geval van storingen contact met de dealer op en probeer zoveel mogelijk relevante informatie te geven zodat hij u snel kan helpen.

Stempel en handtekening dealer.

1,0 Belangrijke veiligheidsaanbevelingen

WAARSCHUWING!

Bij Sunrise Medical zetten we ons volledig in om producten te produceren van de hoogste standaard. Al onze producten voldoen aan de essentiële veiligheids- en milieueisen zoals bepaald in Europese Richtlijnen. Maar het oneigenlijk gebruik van de producten kan gebruikers potentieel in gevaar brengen. Daarom adviseert Sunrise Medical sterk om de onderstaande informatie altijd na te leven.

WAARSCHUWINGEN!

- Controleer of alle mechanismen waarmee de stoel kan worden aangepast, vast zitten en op de juiste plaats zitten, voordat de stoel wordt gebruikt. Als de kans aanwezig is dat de handwielen herhaaldelijk los raken, kan Sunrise Medical inbusbouten als alternatief leveren. Dit wordt sterk aanbevolen als er gevaar bestaat vanuit de personen in de omgeving van de gebruiker.
- Nadat er wijzigingen aan de stoel zijn aangebracht, dient u te **CONTROLLEREN** of alle schroeven, bouten, knoppen, handwielen en andere bevestigingsmaterialen goed vastgedraaid zijn en op de juiste plek zitten. Bovendien moeten al deze bevestigingsmaterialen, als onderdeel van het onderhoud, regelmatig worden gecontroleerd. Draai bewegende delen nooit te strak aan en verstel ze niet meer dan de normale positie toelaat.
- Alle gordels en harnassen die ondersteuning bij het zitten bieden, moeten op de juiste plaats bevestigd zijn en op de juiste wijze aan de gebruiker aangepast, voordat het zitsysteem wordt gebruikt (zie bladzijdes 9, 10 en 11).
- Wanneer de Pluton op een basisframe voor gebruik binnenshuis wordt bevestigd, moet de stoel altijd op een gelijke, vlakke vloer staan. De Pluton stoel kan van de ene naar de andere werkplek worden bewogen. Zet de stoel omwille van de veiligheid **ALTIJD** terug in een neutrale en lagere positie voordat de stoel wordt verreden (lagere hoogte, zitting vlak, rugleuning rechtop, etc.). De stoel dient in een statische positie te worden gezet met de remmen vergrendeld, als deze is bewogen of tijdens het gebruik. Basisframes voor gebruik binnenshuis, zoals de basis met verstelbare hoogte en kanteling, zijn ontworpen om binnen te gebruiken. Deze basisframes kunnen kortstondig buiten worden gebruikt, bijvoorbeeld om de stoel van de ene ruimte naar de andere te brengen.
- Zware artikelen op het werkblad hebben effect op de stabiliteit. Het standaard Sunrise Medical werkblad is geschikt voor dit zitsysteem. Als er een ander werkblad wordt gemonteerd, moet het zitsysteem voor overdracht worden gecontroleerd.
- Als er bij de gebruiker, na een minuut of tien in de stoel te hebben gezeten, rode plekken op de huid zichtbaar zijn, moet er direct contact worden opgenomen met de gekwalificeerde professional die verantwoordelijk was voor de overdracht van de stoel. Het kan een teken zijn dat er door het zitsysteem overmatige druk wordt uitgeoefend.

- Dit kan gebeuren wanneer er net een nieuwe stoel in gebruik is genomen en de stoel beter aangepast moet worden, of als de gebruiker slecht in de stoel is geplaatst, is gegroeid of als er een onderliggend medisch probleem bestaat. In dergelijke gevallen is een herbeoordeling noodzakelijk.
- Houd alle producten uit de buurt van overmatige warmtebronnen, sigaretten of open vuur.
- Als u vermoedt dat het product gebrekkig is, stop het gebruik dan onmiddellijk en neem direct contact op met de organisatie die het systeem heeft geleverd. (De contactgegevens vindt u op bladzijde 5.)
- Op het product bevinden zich labels met belangrijke informatie. **VERWIJDER** deze labels **NOOIT**, plak er niets overheen en wijzig de informatie niet.
- Alle wijzigingen, aanpassingen, reparaties, het opnieuw voor gebruik klaarmaken, de verwijdering en het onderhoud van de ziteenheid mogen **UITSLUITEND** worden uitgevoerd door de instanties die het product hebben aangeleverd (zie bladzijdes 30 - 31).

GEVAAR!

Verstelbare hoofdsteun

De zijsteunen op het hoofdsteun worden bij voorkeur op 45 graden ingesteld. Stel de zijsteunen **NIET** te dicht bij het hoofd. Zorg ervoor dat de hoofdsteun zodanig is ingesteld dat het kind zijn of haar hoofd er niet omheen kan draaien en vast komt te zitten.

Flexibele ondersteuning en laterale ondersteuning

Zorg ervoor dat de banden eventuele voedingssondes bij het kind, niet hinderen.

WAARSCHUWING!

Abductieklossen

Deze onderdelen zijn ontworpen om de knieën van de gebruiker uit elkaar te houden om zo een goede houding van de heupen te ondersteunen. Gebruik de abductieklossen **NOOIT** als een manier om de gebruiker in de stoel te houden. Verwijder de abductieklos wanneer de gebruiker in en uit de stoel wordt overgeplaatst.

Voetsandalen en banden

Moeten alleen worden vastgemaakt als de gebruiker schoenen of laarzen draagt.

Werkblad

Gebruik het werkblad **NOOIT** als een manier om kinderen in de stoel te houden. Controleer altijd of de heupgordel en andere meegeleverde gordels worden gebruikt. Controleer of de werkbladclips goed vastzitten aan beide zijden van het werkblad. Als het werkblad beschadigd is, controleer dan of dit geen gevaar vormt voor de gebruiker. Laat nooit hete voorwerpen op het werkblad staan als er geen toezicht op de kinderen is.

GEVAAR!

VERSTIKKINGSGEVAAR - In dit mobiliteitshulpmiddel zijn kleine onderdelen verwerkt die onder bepaalde omstandigheden een verstikkingsgevaar voor kleine kinderen kunnen vormen.

GARANTIE

DEZE GARANTIE DOET OP GEEN ENKELE WIJZE AFBREUK AAN UW RECHTEN.

Sunrise Medical* biedt haar klanten een garantie op rolstoelen, zoals bepaald in de garantievoorwaarden die het onderstaande dekken:

Garantievoorwaarden

Indien een onderdeel of onderdelen van de rolstoel binnen 24 maanden gerepareerd of vervangen moet(en) worden als gevolg van een fabricagefout en/of gebrek in het materiaal, of voor het frame en vouwframe binnen 5 jaar na levering aan de klant, wordt het betreffende onderdeel of de betreffende onderdelen kosteloos gerepareerd of vervangen. (Op accu's wordt een garantie gegeven voor een periode van 12 maanden, op voorwaarde dat het juiste onderhoudsschema voor accu's wordt opgevolgd.)

Om de garantie ten uitvoer te brengen, kunt u contact opnemen met de klantenservice van Sunrise Medical met de exacte gegevens over het probleem. Indien u de rolstoel gebruikt buiten het gebied dat wordt gedekt door de klantenservice van Sunrise Medical, wordt de reparatie of vervanging uitgevoerd door een ander servicepunt dat door de fabrikant wordt aangewezen. De rolstoel moet worden gerepareerd door een door Sunrise Medical aangewezen servicepunt (dealer).

Voor onderdelen die binnen het bereik van deze garantiebepalingen zijn gerepareerd of vervangen, bieden we een garantie in overeenstemming met deze garantievoorwaarden voor de resterende garantieperiode voor de rolstoel in overeenstemming met punt 1.

Voor originele reserveonderdelen die op kosten van de klant zijn gemonteerd, geldt een garantieperiode van 12 maanden (na montage) in overeenstemming met deze garantiebepalingen.

Verbruiksartikelen zoals kussens, banden, binnenbanden en soortgelijke onderdelen zijn van garantie uitgesloten, behalve wanneer voortijdige slijtage van het onderdeel het directe gevolg van een fabrieksfout is.

Vorderingen op basis van deze garantie kunnen niet worden uitgeoefend indien een reparatie of vervanging van een rolstoel of een onderdeel daarvan noodzakelijk is vanwege de onderstaande redenen:

Het product of onderdeel is niet onderhouden in overeenstemming met de aanbevelingen van de fabrikant, zoals uiteengezet in de gebruikershandleiding en/of de onderhoudsinstructies.

Er zijn accessoires gebruikt die niet gespecificeerd zijn als originele onderdelen.

De rolstoel of het onderdeel is beschadigd door nalatigheid, ongeval of onjuist gebruik.

Er zijn veranderingen/wijzigingen aangebracht aan de rolstoel of onderdelen die afwijken van de specificaties van de fabrikant.

Reparaties zijn uitgevoerd voordat onze Klantenservice is geïnformeerd over de omstandigheden.

Deze garantie wordt beheerst door het recht van het land waarin het product van Sunrise Medical werd aangekocht.

* Dit betekent de Sunrise Medical faciliteit waarvan het product werd aangekocht.

3.0 Remmen

Remmen, (Indoor basisframes)

WAARSCHUWING!

Zet de stoel altijd op de rem wanneer hij stil staat.

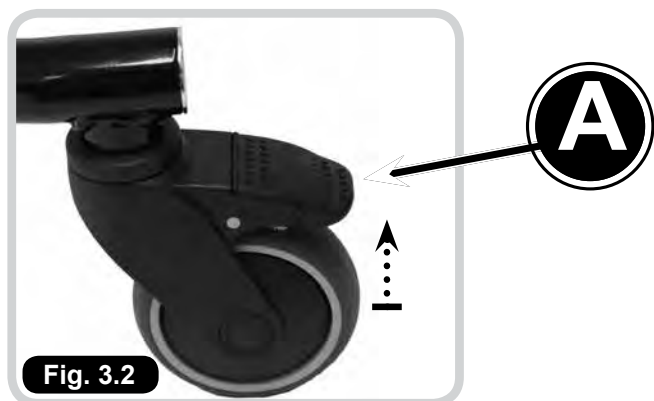
Remmen toepassen

Druk hendel (A) met uw voet naar beneden. Om te verzekeren dat de stoel op zijn plaats blijft staan, dient u alle remmen die op de wielen zijn gemonteerd, te gebruiken. (Fig. 3.1).



Remmen ontkoppelen

Om de remmen los te koppelen, duwt u de hendels met de bovenkant van uw voet omhoog. Wanneer alle remmen zijn ontkoppeld, kan de stoel in iedere gewenste richting worden gereden. (Fig. 3.2).



4.0 Aanpassingen borstharnas

Borstharnas

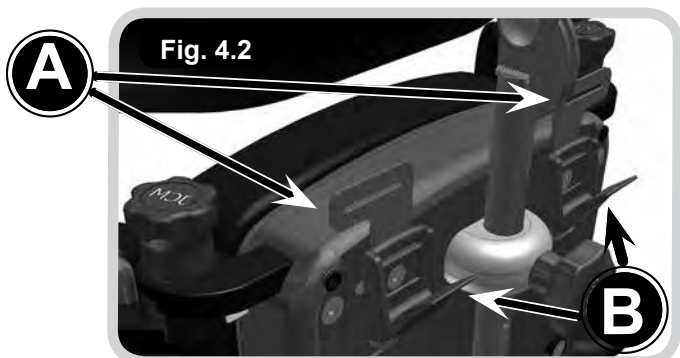
GEVAAR!

- Een borstharnas moet met de GROOTST MOGELIJKE ZORG worden aangepast en de onderstaande punten moeten in acht worden genomen:
- De banden van het harnas mogen nooit dicht in de buurt van de nek van het kind komen of het kind in de nek hinderen.
- Ze mogen nooit te strak worden bevestigd en mogen geen hinder veroorzaken.
- De band over het borstbeen moet voor gebruik altijd worden aangepast. Hij mag beslist niet hoger dan het middelste deel van de borst van de gebruiker zitten.
- Wanneer er een harnas wordt gebruikt, moet er ook altijd een heupgordel worden gebruikt om te voorkomen dat het kind naar beneden in de borstgordel kan glijden.
- Controleer altijd of de banden uw kind ondersteuning en gemak bieden. Als er kleding bij het kind is veranderd, bijvoorbeeld als er een trui uit- of aangetrokken is, moeten de banden overeenkomstig opnieuw worden aangepast. (Fig. 4.1).

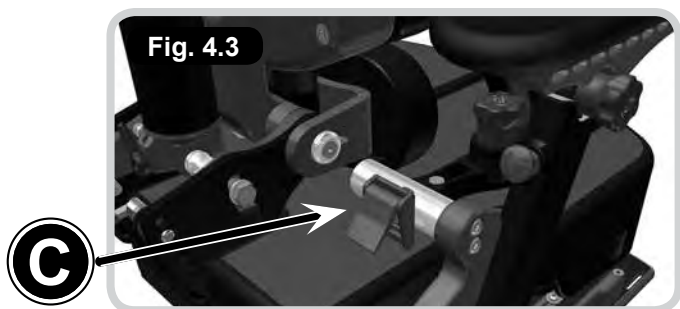


Bevestiging aan de stoel

- De Pluton wordt geleverd met geleideplaten voor de bovenste banden; deze bevinden zich aan beide zijden aan de bovenkant van de rugleuning (A). De veiligheidsband moet door deze geleiders worden aangebracht, vervolgens aangepast en dan op zijn plaats bevestigd, door middel van sluithaakgespen (B), direct onder de geleideplaten. (Fig. 4.2).

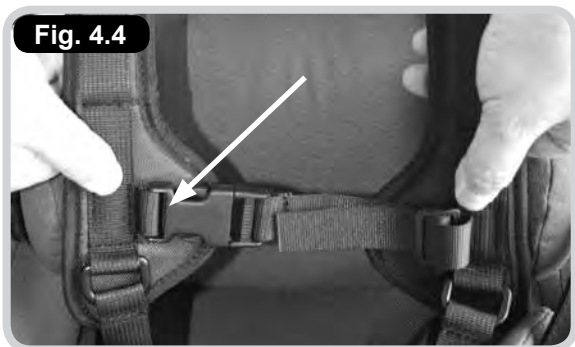


- De banden aan de onderzijde van het harnas moeten door de sluithaakpen worden gehaald, op maat worden gemaakt en vervolgens worden vergrendeld door middel van de sluithaakgesp (C), die bevestigd is op de rail van het heupkussen. (Fig. 4.3).



Vastmaken van de gordels

- Doe de stoffen gordel door de gesp op de band.
- De gordels moeten voldoende strak worden aangetrokken om ondersteuning te bieden aan uw kind, maar moeten wel comfortabel blijven voelen.
- Wanneer dit is bereikt, moet de gesp worden dichtgeklikt om de gordel op zijn plaats vast te zetten. (Fig. 4.4).



⚠ WAARSCHUWING!

Dezelfde voorzorgsmaatregelen die hierin worden beschreven, moeten ook worden nageleefd wanneer er ondersteuning voor het bovenlichaam wordt gebruikt, of als er flexibele ondersteuning met banden wordt gebruikt.

⚠ GEVAAR!

Als er ook maar de geringste kans bestaat dat de banden om de hals van het kind kunnen komen, MOET HET HARNAS DIRECT WORDEN VERWIJDERD.

5.0 Veiligheid heupgordel

⚠ GEVAAR!

HET ONJUIST AANPASSEN VAN HEUPGORDELS KAN EEN ERNSTIG GEVAAR VORMEN VOOR DE GEBRUIKER.

Heupgordel aanpassen

Wanneer er gebruikgemaakt wordt van heupgordels, wordt het aanbevolen om de onderstaande punten in acht te nemen:

De hoek waarmee de heupgordel aan het zitsysteem wordt bevestigd, heeft een direct effect op de druk die op het bekken wordt uitgeoefend.

Denk aan het volgende:

- Een bevestigingshoek van 60° aan de zitrail, plaatst de heupgordel anterior en inferior ten opzichte van de ASIS, waardoor het minder snel zal gebeuren dat een gebruiker met een posterieure heupkanteling onder de gordel doorglijdt.
- Een hogere bevestigingshoek van de eerste banden bevordert een voorwaartse kanteling van het bekken, wat helpt bij de positionering van patiënten met een achterwaartse heupkanteling.
- De tweede banden van een 4-puntsgordel zijn bevestigd aan de stoelpoot tussen 45° en 90°, om de eerste gepolsterde band op zijn plaats te houden en te voorkomen dat deze gordel naar de buik glijdt of gedraaid komt te zitten.
- De bevestigingshoek moet soms worden aangepast, wanneer er wonden zijn in het heupgebied, wanneer er sprake is van een instabiel bekken of wanneer er maagslangen worden gebruikt.

De gordel strakker trekken:

Houd de gordel strak tijdens aanpassingen van de banden tijdens het aanbrengen. Controleer dit ook tijdens dagelijks gebruik, om een goede plaatsing van kussens te verzekeren. Bij gepolsterde heupgordels komen de pads in aanraking met het lichaam wanneer ze op de juiste wijze zijn aangetrokken. Voor niet-gepolsterde heupgordels moet de aanpassingsband bij de gesp ongeveer 7,5 cm lang zijn. Het is van essentieel belang dat de verzorger goede instructies krijgt om de heupgordel correct te kunnen positioneren.

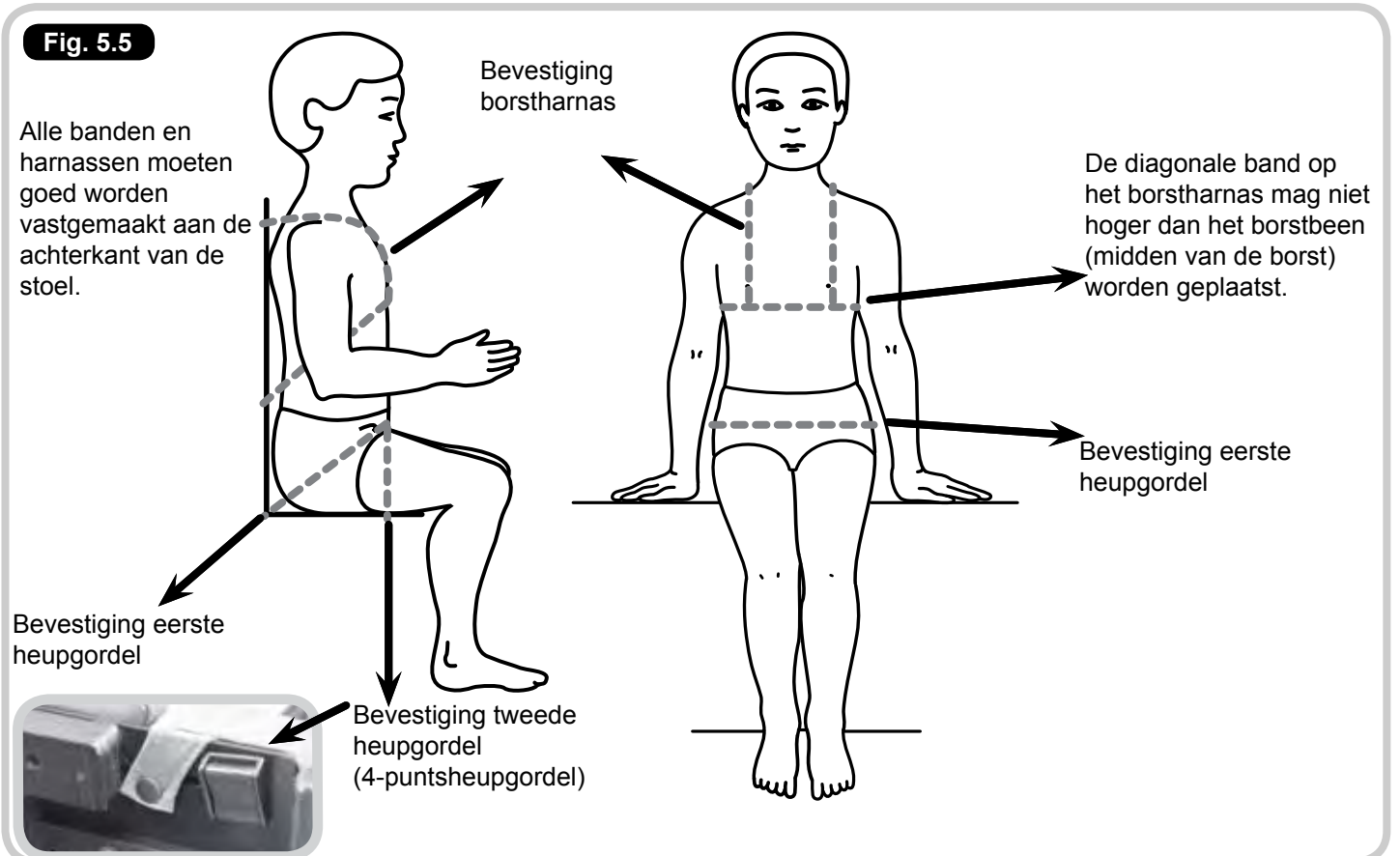
Maten:

Meet de heupbreedte om te bepalen welke maat gordel nodig is. De aanbevolen methode om de heupbreedte te meten is van trochanter naar trochanter. Als dit niet mogelijk is, meet dan van ASIS naar ASIS en hou een paar centimeter ruimte. Wanneer de maat van de gordel correct is voor het individu, worden alle benige uitstekels door de polstering bedekt.

- Controleer altijd of de heupen van het kind symmetrisch en in de juiste positie vast tegen de achterkant van de zitting zijn.
- Controleer altijd of de heupgordel en het borstharnas het kind veilig en comfortabel op zijn plaats houden. Controleer of het allemaal prettig zit en goed past. Een eenvoudige regel hiervoor is dat u twee vingers ruimte moet hebben tussen de gordel en het kinderlichaam.
- Laat een kind nooit zonder toezicht zonder dat de heupgordel is vastgemaakt.
- Er moet altijd gebruikgemaakt worden van een heupgordel als er een harnas wordt gebruikt.
- Wanneer de hoek tussen de zitting en de rugleuning van de stoel wordt gewijzigd, pas dan altijd het borstharnas en de heupgordel overeenkomstig aan om te garanderen dat alle veiligheidsaanbevelingen worden opgevolgd.

Positionering van harnas en heupgordel

De afbeelding hieronder laat de aanbevolen positie van het borstharnas en de heupgordels zien (Fig. 5.1).

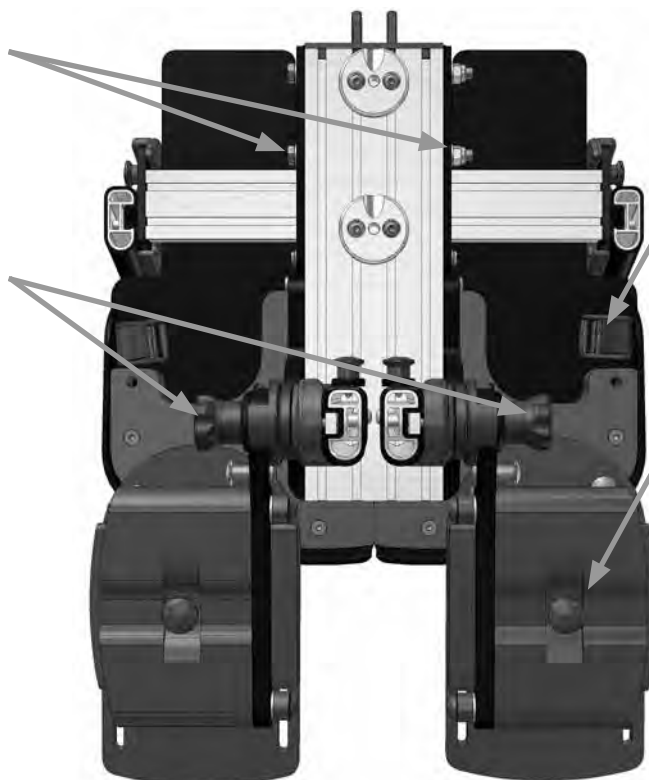


Stelpunten aan onderzijde zitsysteem, (Fig. 6.1)

Fig. 6.1

Verstelbouten aanpassing diepte zitting

Aanpassing hoek voetenplaat



Heupgordel gesp voorzijde

Voetenplaat met aanpassing

Effectief gebruik van vergrendelingshendels (Wanneer gemonteerd)

Verwijder deze hendels nooit helemaal, want dan kunt u in de toekomst geen aanpassingen meer uitvoeren.

- Om te gebruiken: Draai de hendel met de klok mee om hem aan te draaien, en tegen de klok in om hem los te draaien.
- Om de hendel te gebruiken wanneer men een obstakel tegen komt: Trek de greep van de hendel naar buiten in uw richting (A). Hierdoor wordt de functie van de hendel uitgeschakeld, (fig. 4,1).
- Blijf de hendel naar buiten gedrukt houden en plaats de hendel in een geschikte positie wanneer u het obstakel voorbij bent.
- Laat de greep los om de hendelfunctie weer in te stellen (B) en ga op de gebruikelijke manier verder met los- of aandraaien (fig. 4.2).
- Herhaal deze procedure in gebieden waar aanpassingen beperkt zijn door een obstakel.

Fig. 6.2



Fig. 6.3

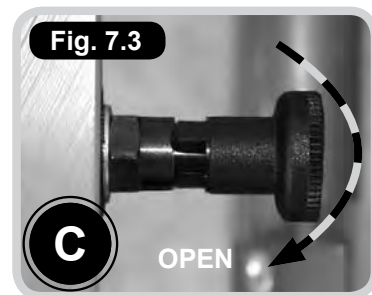
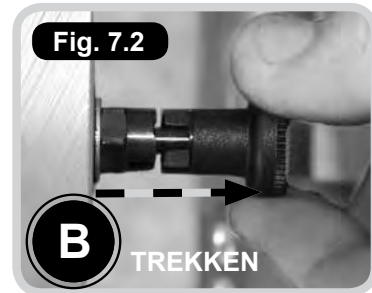
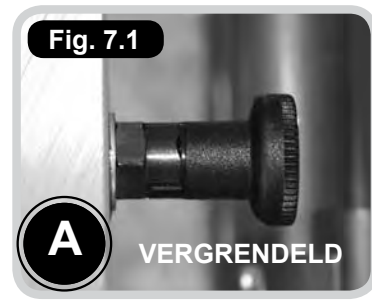


7.0 Gebruik hendel - met gebruik van index vergrendeling

Het gebruik van de Index vergrendeling (uitsluitend het vergrendelende type)

Om de vergrendeling in een open positie te zetten (fig.5.1-5.3):

- Trek de vergrendeling uit naar maximale spanning (B).
- Draai de vergrendeling een halve draai tegen de klok in (C). Hierdoor komen ze open te staan.
- Om te sluiten: draai de vergrendeling een halve slag met de klok mee, hierdoor klikken ze terug in een vergrendelde positie (A).



8.0 Aanpassen van de schouder pelotten

Kussen- / Schouderbreedte

Draai de vergrendelings Schroef (A) een halve slag los met behulp van de meegeleverde 4mm inbus sleutel en breng het kussen handmatig in de gewenste positie, door het naar binnen of buiten te laten glijden.

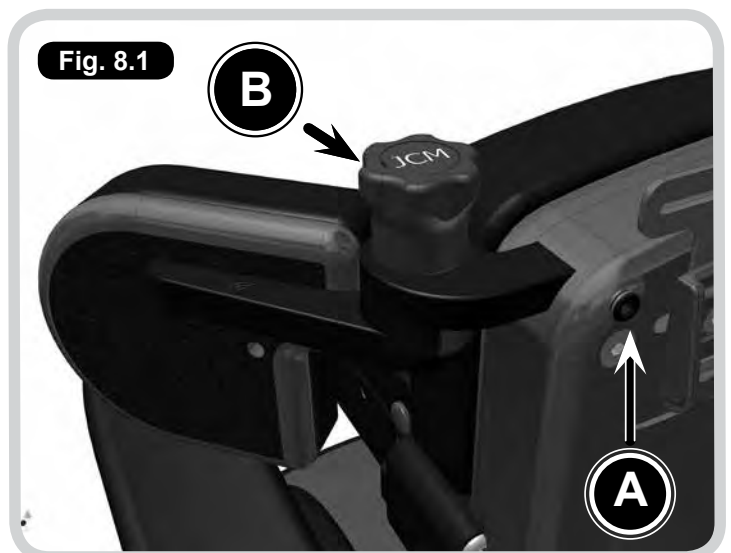
Vergrendel het kussen op de gewenste plaats door schroef A weer vast te draaien.

Kussen / Protractiehoek

Om de hoek van het kussen in te stellen, moet u het handwiel (B) losmaken door het enkele slagen tegen de klok in te draaien. Als de kussens zijn losgemaakt, kunnen ze in positie worden gebracht door het handwiel naar beneden te drukken terwijl tegelijkertijd de hoek van het kussen met de andere hand wordt gewijzigd. Nadat de gewenste positie is bereikt, kunt u het handwiel loslaten en het met de klok mee weer vastdraaien tot het vast zit.

OPGELET!

De hoek van het kussen - Het is ook mogelijk het kussen van positie te wijzigen zonder het handwiel naar beneden te drukken. Dit wordt niet aanbevolen omdat het mogelijk de levensduur van het vergrendelingsmechanisme verkort.



Bevestiging

WAARSCHUWING!

Controleer altijd of de basis stabiel is en de remmen erop gezet zijn voordat u de ziteenheid bevestigt.

OPGELET!

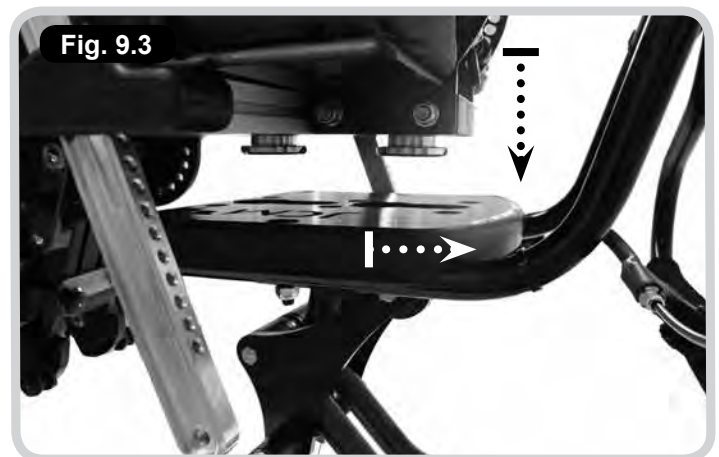
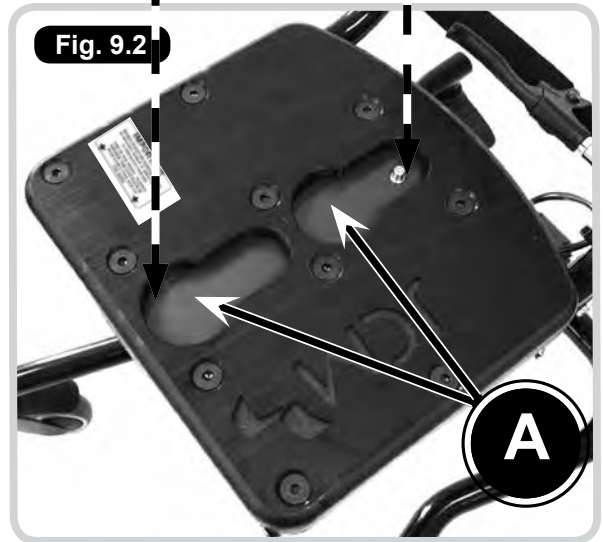
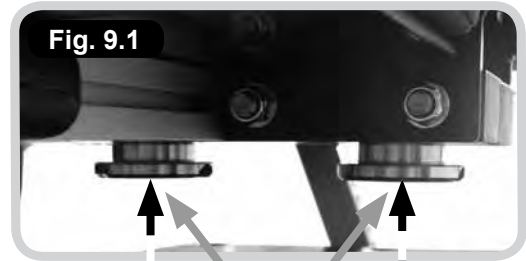
Merk op dat de gemonteerde hendel afhankelijk is van de maat van de stoel. U moet daarom controleren of de maatlabel op de hendel overeenkomt met de maat van de stoel die wordt gebruikt.

Zie (Fig. 9.1 - 9.2).

- Er zijn 2 uitsparingen aan de bovenzijde van de interfaceplaat (A). Hier moeten de aansluitingen (B) op de ziteenheid in worden geplaatst.
- Breng de ziteenheid boven de interfaceplaat, waarbij de aansluitingen (B) in lijn worden gebracht met de uitsparingen (A) op de interfaceplaat.
- Laat de ziteenheid voorzichtig op de interfaceplaat zakken, waarbij de aansluitingen (B) in de uitsparingen (A) op de interfaceplaat vallen.
- Duw de ziteenheid naar de rugleuning van de stoel totdat de aansluitingen op hun plaats 'vastklikken'.
- Controleer of de zitting goed vastzit op de basis voordat de stoel wordt gebruikt.

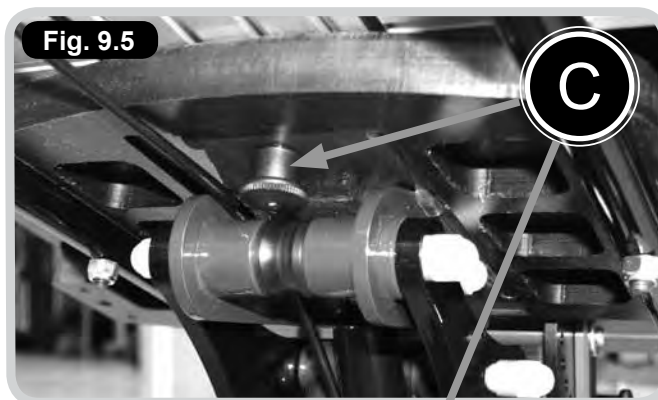
Aanzicht vanaf de zijkant toont hoe de aansluitingspunten in de uitsparingen van de interfaceplaat vallen (Fig. 9.3).

Aanzicht hoe de zitting vastgekoppeld is aan de basis (Fig. 9.4).



Verwijdering

Ontgrendel index vergrendeling (C) die zich aan de onderzijde van de interfaceplaat bevindt, en laat de zitting naar voren glijden om hem van de basis te verwijderen (Fig. 9.5 - 9.6).



Handmatige aanpassing zithoogte

'Meervoudige hoogte en kantel'- basis

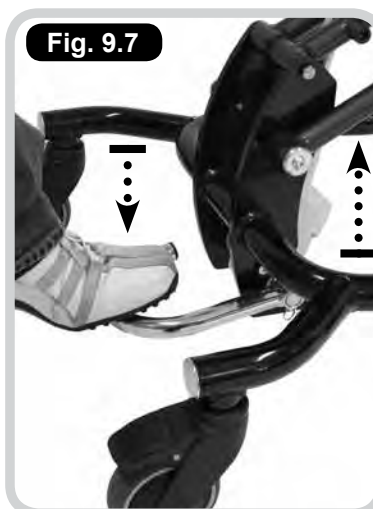
De basis met verstelbare hoogte en kanteling is geschikt voor alle maten van de Pluton. Hij wordt aangedreven door een hydraulisch pompmechanisme.

Om de stoel omhoog te brengen (Fig. 9.7).

Pomp enkele malen op de voetpedaal totdat de gewenste hoogte is bereikt. De stoel gaat met iedere pompbeweging omhoog.

Om de stoel omlaag te brengen (fig. 9.8).

Plaats uw voet onder de pedaal en duw de pedaal zachtjes omhoog. De stoel gaat nu automatisch naar beneden.



Elektrische aanpassing hoogte basis

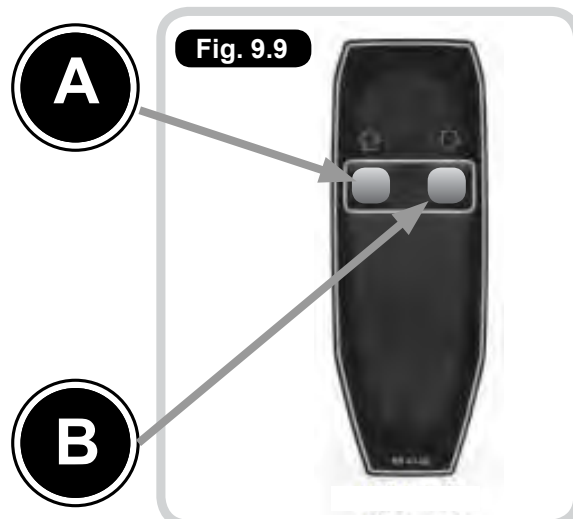
Upgrade-optie (Fig. 9.9).

OPGELET!

Controleer altijd of het aanpassingsmechanisme nergens door wordt gehinderd voordat u deze stoel bedient.

Knop A = OMHOOG

Knop B = OMLAAG



10.0 Kantelmechanisme

'Meervoudige hoogte en kantel'- basis (Fig. 10.1 - 10.3)

⚠ WAARSCHUWING!

Controleer altijd of de basis stabiel is en de remmen erop gezet zijn voordat u de onderstaande aanpassingen uitvoert.

- Ontgrendel het vergrendelingsmechanisme op de hendel door in de kleine veer (A) op de hendel te knijpen
- Om te kantelen:
Gebruik één hand om in de hendel (B) te knijpen en de stoelhendel naar beneden te duwen. Gebruik tegelijkertijd uw andere hand op de armleuning of zijkant om de stoel in de gekantelde positie te duwen.
- Om voorwaarts te duwen:
Knijp in hendel (B) en trek de stoelhendel omhoog en naar voren. Gebruik tegelijkertijd uw andere hand op de armleuning of zijkant om de stoel naar voren te duwen.
- Als de stoel in de juiste positie staat, laat u de hendel (B) los om het kantelmechanisme te vergrendelen.
- Controleer of de kleine veer (A) op de hendel teruggaat naar een gesloten positie. Hierdoor wordt geborgd dat de gekantelde positie is vergrendeld.

⚠ WAARSCHUWING!

De persoon die de stoel bedient, moet de beweging van de stoel controleren terwijl de knijphendel wordt gebruikt. De mate waarin de beweging ondersteund moet worden hangt af van de lengte en het gewicht van de gebruiker. We adviseren deze handeling eerst te oefenen zonder dat er iemand in de stoel zit.

11.0 Wegklapbaar duwhandvat

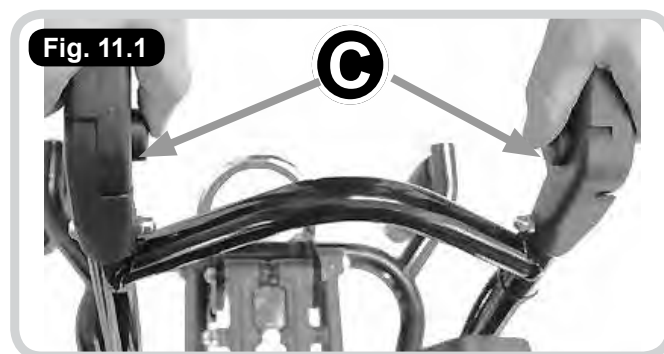
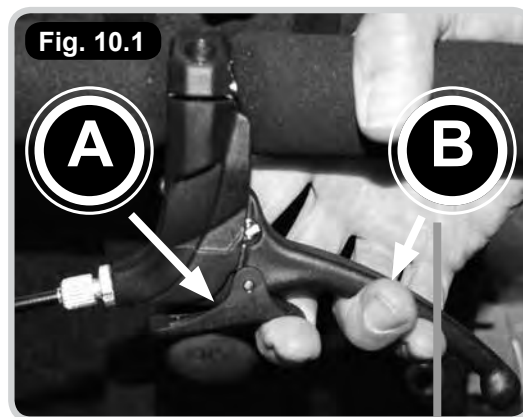
Basis met verstelbare hoogte en kanteling (Fig. 11.1 - 11.2)

Gebruik de duwhandvatten alleen om de stoel voort te bewegen. Als de duwhandvatten niet worden gebruikt, moeten ze naar beneden worden gevouwen.

Duw op beide knoppen (C) aan de binnenkant van de handvatten.

Verander de positie van de handvatten met de hand door op de bovenkant te duwen.

Om weer omhoog te klappen, trekt u de handvatten omhoog tot u een klik hoort.



12.0 Aanpassing '5 Star'- basis

WAARSCHUWING!

Controleer altijd of de basis stabiel is en de remmen erop gezet zijn voordat u de onderstaande aanpassingen uitvoert.

Zie Fig. 12.1

Om de stoel omhoog te brengen

Aan de achterkant van de stoel onder de basis bevindt zich een hendel (A). Duw deze naar beneden om de stoel omhoog te brengen.

Afhankelijk van het gewicht van de gebruiker is er mogelijk extra hulp nodig om de stoel omhoog te brengen. Laat de hendel los wanneer de gewenste hoogte is bereikt.

Om de stoel omlaag te brengen

Gebruik hiervoor weer hendel (A), maar dit keer duwt u aan de bovenkant van de stoel met één hand, terwijl u met de andere hand hendel (A) naar beneden duwt.

OPGELET!

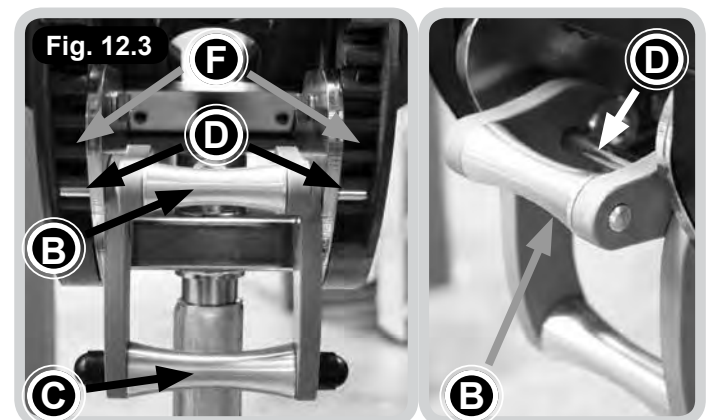
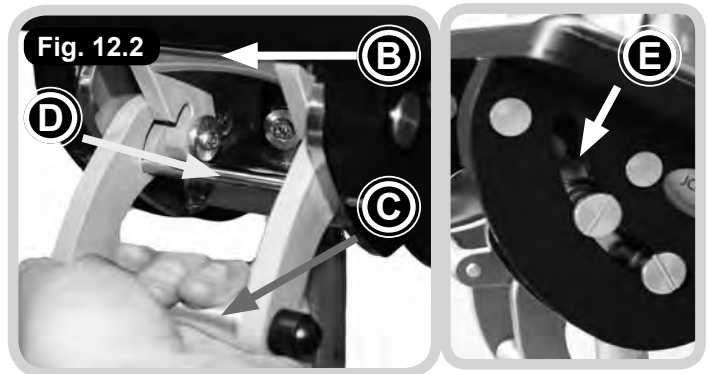
Als u het lastig vindt om deze handelingen alleen uit te voeren, laat u dan door iemand helpen.



Kantelen op de '5 Star'-basis

Zie Fig. 12.2 - 12.3

- Til de veiligheidsveer (B) op om de basis voor te bereiden op de kantelverstelling.
- Til klink (C) op totdat hij stopt, waarbij stang (D) wordt ontkoppeld.
- Kantel de basisinterface naar de gewenste hoek. Het verstelbereik is te zien op de gleuf aan de zijkant van de zitbasis. Wanneer de gewenste hoek is bereikt. Sluit de klink (C) door deze naar beneden te duwen totdat stang (D) veilig in een vooraf bepaalde gleuf (F) valt.
- Duw de veiligheidsklink (B) naar beneden om te voorkomen dat het kantelmechanisme per ongeluk in werking wordt gesteld.
- Controleer altijd of de sleuf op de veiligheidsklink (B) goed op de stang (D) vastzit om de zitting in deze positie vergrendelen.



13.0 Rugleuning instelling

Zie Fig. 13.1 - 13.2

Rughoek instelling

- Knijp onderaan de achterkant van de stoel de hendels (A) samen. Hierdoor worden ze ontkoppeld uit hun positie (B).
- Terwijl u de hendels samengeknepen houdt, houdt u de stoel vast aan de bovenkant en zet u de rugleuning in de gewenste gekantelde positie.
- Laat de hendels los in de betreffende positiegaten (B) om de rugleuning op deze plaats te vergrendelen.
- Controleer altijd of de rugleuning goed vastzit en of de hendels goed in de gaten vast zitten voordat de stoel wordt gebruikt.

Rughoogte instelling

- Verwijder het rugkussen dat door drukknoppen op zijn plaats wordt gehouden.
- Draai de twee inbusschroeven (A) op het plastic rugpaneel los.
- Laat het plastic paneel omhoog of omlaag glijden naar de gewenste hoogte.
- Draai de twee inbusschroeven (A) weer goed vast.
- Plaats het rugkussen terug op zijn plaats.

Fig. 13.1

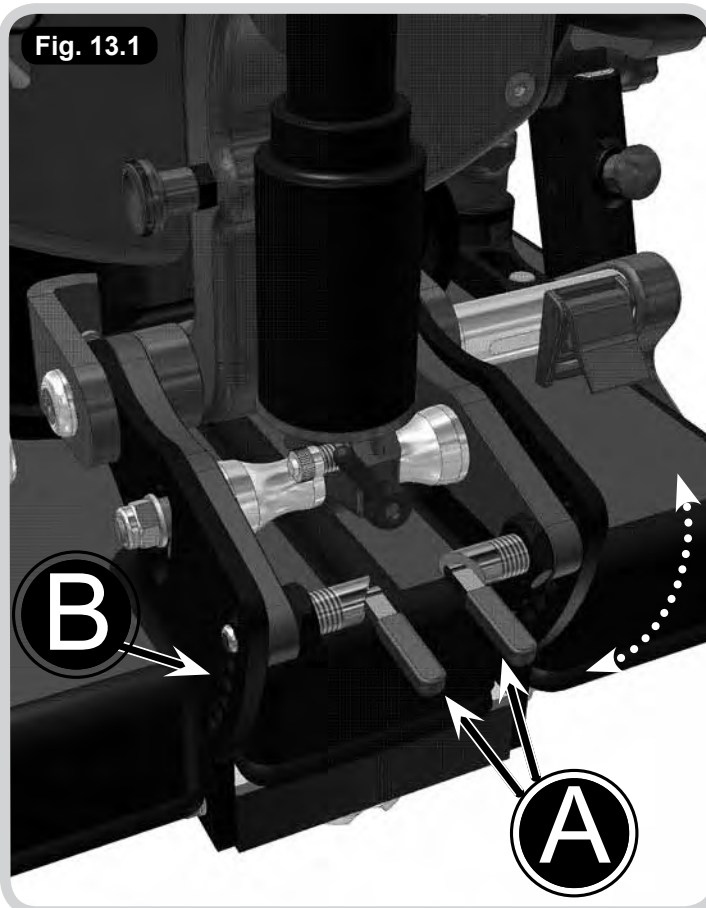
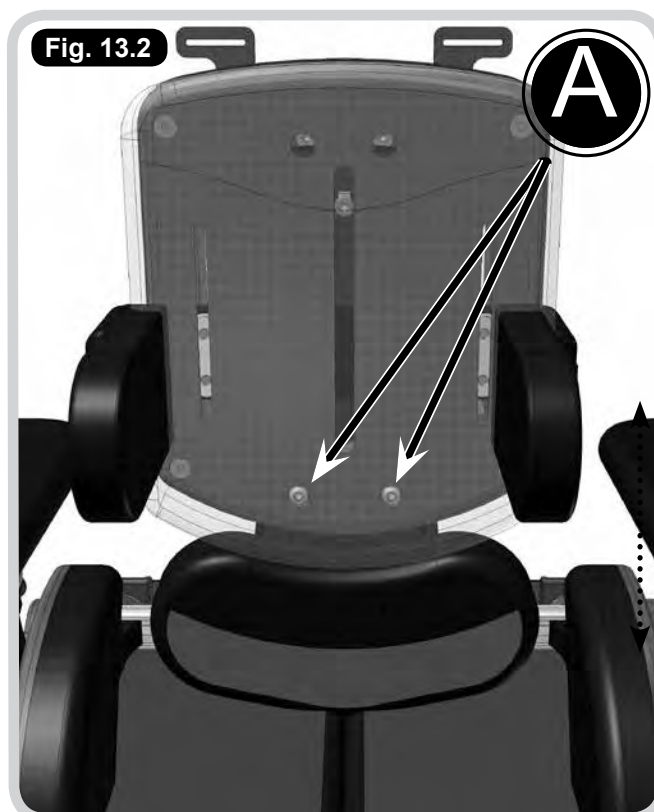


Fig. 13.2



14.0 Zitdiepte aanpassing

Aanpassen van de zitdiepte (Fig. 14.1)

WAARSCHUWING!

- Wanneer het zitsysteem voor de eerste keer op een basis is gemonteerd, of wanneer er een aanpassing is gedaan aan de maat van het systeem, moet een stabiliteitsbeoordeling worden uitgevoerd voordat de stoel wordt gebruikt.
- Controleer altijd of deze punten goed vastgeschroefd zijn nadat u de lengte van de zitting hebt aangepast. Ook moeten deze punten als onderdeel van het onderhoud worden gecontroleerd.

OPMERKING: De zitting van de Pluton is in twee delen gesplitst (links en rechts). Volg de onderstaande instructies om de zitdiepte voor de gebruiker aan te passen. Als de gebruiker benen van ongelijke lengte heeft, kunt u de zittingdelen onafhankelijk van elkaar aanpassen en vastzetten op ieder gewenst punt binnen hun bereik (150mm)

- Draai de inbusschroeven (A) aan beide kanten van de zitting los, maar verwijder ze niet.
- Laat de zitting naar voren of naar achteren glijden om de lengte te wijzigen.
- Zet de positie vast door de inbusschroeven weer goed vast te draaien.



15.0 Monteren van een werkblad

GEVAAR!

- Controleer altijd of de arMLEUNINGEN in hun positie zijn vergrendeld en het werkblad goed vastzit voordat u de gebruiker zonder toezicht achterlaat.
- Laat nooit iets dat heet is op het werkblad staan terwijl de gebruiker zonder toezicht wordt achtergelaten.

Instructies montage werkblad (Fig. 15.1 - 15.2)

OPMERKING: Om een werkblad te kunnen monteren zijn arMLEUNINGEN noodzakelijk (optionele accessoire).

- Pak het werkblad vast met de vingers aan beide zijden bij de vergrendeling (A) en druk deze in.
- Plaats het werkblad op de bovenkant van de arMLEUNINGEN (B) en laat het blad in de richting van de persoon in de stoel glijden tot de gewenste positie is bereikt.
- Laat de veervergrendeling los om het blad vast te koppelen. Controleer of de vergrendeling volledig vastgekoppeld is in de dichtstbijzijnde vergrendelingspositie C aan de onderkant van de arMLEUNING.
- Controleer of zowel de rechter- als de linkervergrendeling goed vast zit en het werkblad vastzit voordat het blad in gebruik wordt genomen.

Fig. 15.1

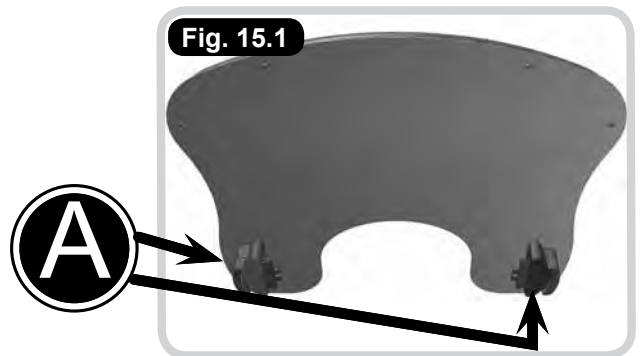
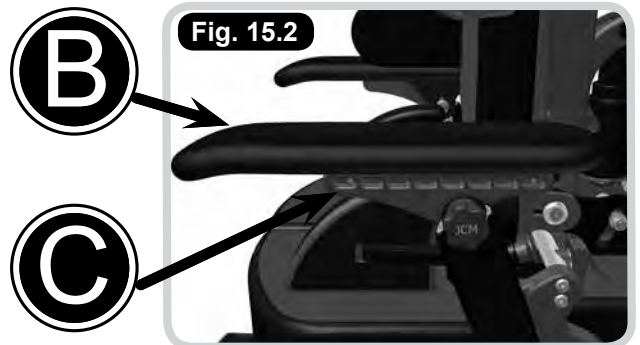


Fig. 15.2



16.0 Aanpassing kussen

Aanpassing bekkensteun (Fig. 16.1)

Hoogte kussen

- Trek het gepolsterde kussen weg van het frame.
- Draai de inbusschroeven (A) aan beide kanten van de bekkensteun los (twee in totaal).
- Beweeg de plaat omhoog of omlaag in de sleuf.
- Nadat de gewenste positie is bereikt, draait u de schroeven weer stevig aan.

Hoek en diepte kussen

- Draai bout B met behulp van de meegeleverde 4mm inbussleutel los door één volle slag te geven (controleer of dit voor beide kanten is gedaan)
- De bekkensteun kan nu vrijelijk worden versteld, zowel qua hoek als naar voren/achteren.
- Bepaal de gewenste positie en draai de schroeven weer aan om het kussen vast te zetten op deze plaats.
- Opmerking: Het is mogelijk de bekkensteun in een bepaalde mate te kantelen. Hiertoe moet u de voorwaartse /achterwaartse positie van de linker- en rechterzijde onafhankelijk aanpassen.

Aanpassing heupkussen (Fig. 16.2)

Breedte heupkussen

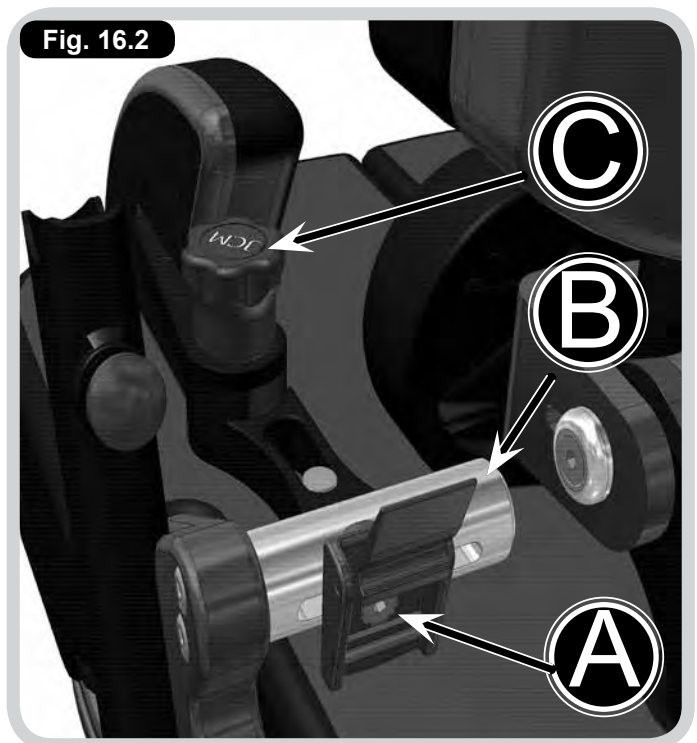
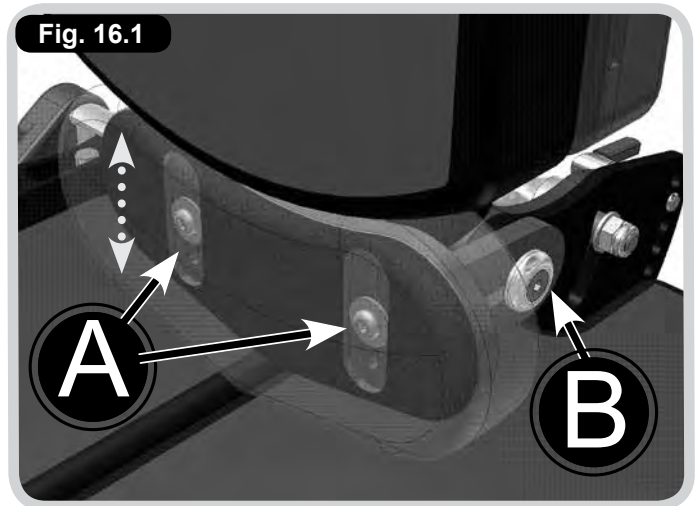
- Draai bout A met behulp van de meegeleverde 4mm inbussleutel los, met één volle slag.
- Het heupkussen kan nu vrijelijk langs de aanpassingsrail B bewegen.
- Bepaal de gewenste positie en draai de schroef weer aan om het kussen vast te zetten op deze plaats.

Hoek heupkussen (wanneer gemonteerd)

- Om de hoek van het kussen in te stellen, moet u het handwiel C losmaken door het enkele slagen tegen de klok in te draaien.
- Als de kussens zijn losgemaakt, kunnen ze in positie worden gebracht door het handwiel naar beneden te drukken terwijl tegelijkertijd de hoek van het kussen met de andere hand wordt gewijzigd.
- Nadat de gewenste positie is bereikt, kunt u het handwiel loslaten en het met de klok mee weer vastdraaien tot het vast zit.

OPGELET!

De hoek van het kussen - Het is ook mogelijk het kussen van positie te wijzigen zonder het handwiel naar beneden te drukken. Dit wordt niet aanbevolen omdat het mogelijk de levensduur van het vergrendelingsmechanisme verkort.



Aanpassing dijbeenkussen (Fig. 16.3 - 16.5)

Door middel van deze kussens kunt u de gebruiker in een gespreide positie zetten waardoor de spiertoon verlaagd kan worden, een bredere zitbasis wordt gecreëerd en de heupen in een goede positie worden gehouden.

Montage & aanpassing binnenste dijbeenkussen

- Om de kussens voor de binnenkant van de dij te plaatsen, moeten schroeven A met pasringen B in de draagplaat en in de hiervoor bedoelde gaten aan de onderkant van de ziteenheid worden gestoken.
- Draai alle schroeven vast met behulp van de meegeleverde 4mm inbussleutel.
- Nadat ze zijn geplaatst (maar niet volledig zijn vastgedraaid) kunt u doorgaan met de andere aanpassing.

Het spreiden van de benen

- Draai het binnenste dijbeenkussen terwijl schroef A nog los is, naar de gewenste positie.
- Wanneer de gewenste positie is bereikt, draait u de schroeven weer vast met behulp van de meegeleverde 4mm inbussleutel.

Neerklappen van het binnenste dijbeenkussen (om overplaatsingen mogelijk te maken)

- Duw knop C en houd deze vast, terwijl u het binnenste dijbeenkussen naar beneden klapt.
- Om het binnenste dijbeenkussen weer in normale positie te zetten, draait u het gewoon omhoog en op zijn plaats totdat het goed vast klikt.

Montage & aanpassing buitenste dijbeenkussen

- Om de kussens voor de buitenkant van de dij te bevestigen, moeten schroeven A met pasringen B door de metalen spreidbeugel worden gestoken en in de hiervoor bedoelde gaten in de plastic draagplaat.
- Draai alle schroeven vast met behulp van de meegeleverde 4mm inbussleutel.
- Nadat ze zijn geplaatst (maar niet volledig zijn vastgedraaid) kunt u doorgaan met de andere aanpassing.

Het spreiden van de benen / instellen van de kanaalbreedte

- Laat het buitenste dijbeenkussen in de fixeersleuf naar de gewenste positie glijden terwijl schroeven A nog los zijn.
- Wanneer de gewenste positie is bereikt, draait u de schroeven vast behulp van de meegeleverde 4mm inbussleutel.



Fig. 16.3

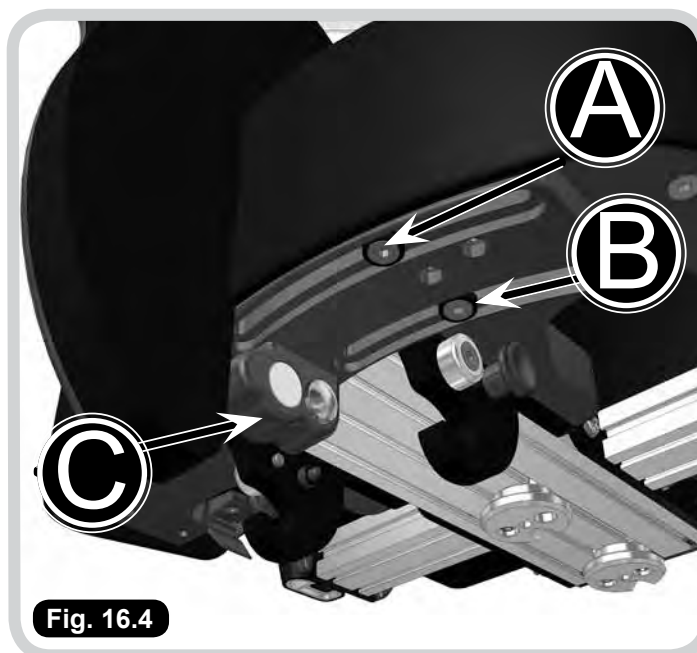


Fig. 16.4

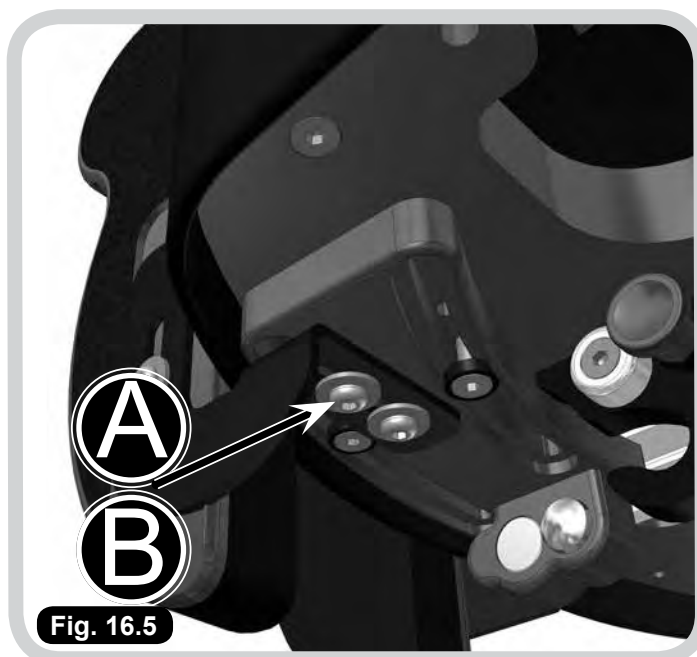


Fig. 16.5

17.0 Aanpassing hoofdsteun

Aanpassing van de hoek van de vleugel

Dit stelpunt biedt u de mogelijkheid de vleugel te bewegen om meer ondersteuning aan de zijkant van het hoofd te geven. Dit stelpunt biedt u de mogelijkheid om de hoek van de hoofdsteun te veranderen om het hoofd en de nek te ondersteunen.

- Maak de hoes van de hoofdsteun los (rits aan de achterzijde) en maak de vergrendelingshendel (A) los.
- Zet de zijkanten van de hoofdsteun in de gewenste positie.
- Nadat de gewenste positie is bereikt, draait u de schroeven weer stevig aan.

Doe dit voor aan beide vleugels van de hoofdsteun.

Aanpassen van de hoek van de hoofdsteun

- Hendels (B) moeten tegelijkertijd worden gebruikt om de gewenste hoofdpositie voor de gebruiker in te stellen. Draai de hendels los door ze tegen de richting van de klok in te draaien.
- Wanneer ze los zijn, kan de hoofdsteun handmatig worden aangepast aan de wens van de gebruiker.
- Nadat de gewenste positie is bereikt, draait u de hendels weer stevig aan.

Aanpassen van de hoogte van de hoofdsteun

- Draai het handwiel (C) los.
- Laat de hoofdsteun op of neer glijden binnen de beugel op de achterkant van de stoel.
- Nadat de gewenste positie is bereikt, draait u het handwiel weer stevig aan.

WAARSCHUWING!

Controleer altijd of de hoofdsteun goed vastzit en de vleugels niet te dicht tegen het hoofd aan zitten. De vleugels op de hoofdsteun worden bij voorkeur op 45 graden ten opzichte van de rugleuning ingesteld.

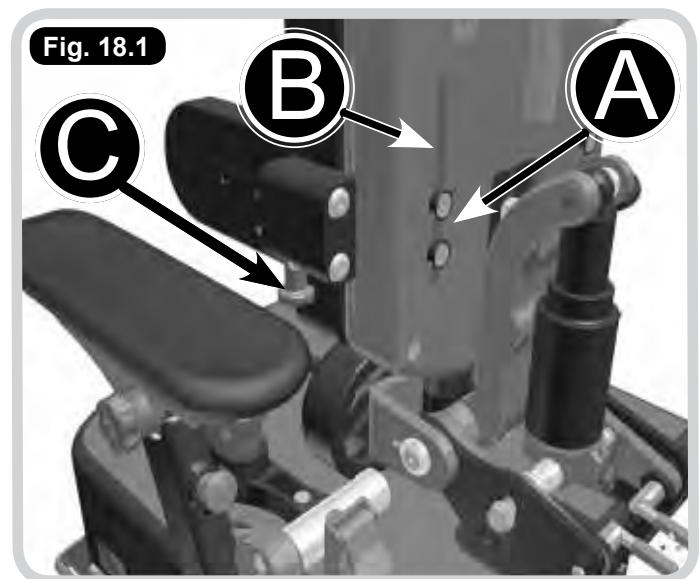
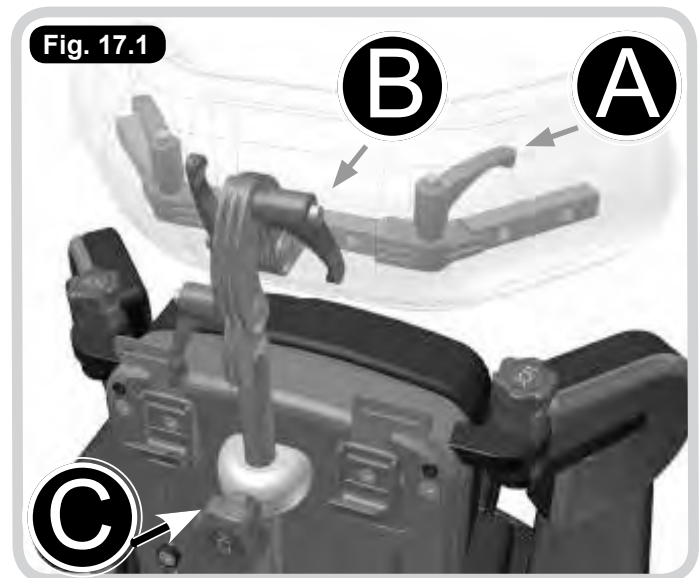
18.0 Aanpassing laterale ondersteuning

Hoogte & Breedte van ondersteunende elementen

- Draai beide schroeven (A) los met behulp van de meegeleverde 4mm inbussleutel.
- Laat de kussens omhoog of omlaag glijden in de sleuf in de rugleuning (B) om de hoogte aan te passen.
- Laat de kussens horizontaal glijden om de breedte aan te passen.
- Schroef de inbusschroeven weer vast om alles vast te zetten.

Wegklapbare actie (waar gemonteerd)

- Trek vergrendeling (C) naar beneden.
- Klap de ondersteunende elementen opzij om de overplaatsing makkelijker te maken, of voor montage.
- Wanneer de handeling is uitgevoerd, duwt u de ondersteunende elementen terug, waarna ze vergrendelen.



WAARSCHUWING!

Controleer of de ondersteunende elementen niet te hoog onder de armen van de gebruiker zijn geplaatst, of te dicht tegen de borstkas aan zitten. Dit doet u door uw vingers langs de binnenkant van de ondersteunende delen te laten glijden. Controleer ook of de banden eventuele voedingssondes bij het kind niet hinderen.

Aanpassing van de hoogte van de armlleuning

- (A) toont waar de vergrendeling zit die wordt gebruikt om de hoogte van de armlleuning aan te passen en daarmee ook de hoogte van het werkblad.
- Trek vergrendeling A naar buiten weg van de armlleuning en terwijl u tegelijkertijd de hendel open houdt, laat u de arm omhoog of omlaag glijden. Selecteer een van de gaten die u ziet wanneer u de armlleuning optilt vanuit de laagste positie.
- Wanneer een geschikte positie is bereikt, wordt de armlleuning op zijn plaats vergrendeld door de hendel los te laten. Controleer of de vergrendeling op de juiste wijze op zijn plaats is teruggekomen.

Aanpassing hoek armlleuning

- Om de hoek van de armlleuning in te stellen, moet u het handwiel (B) losmaken door het enkele slagen tegen de klok in te draaien.
- Als de armlleuning is ontkoppeld, kan hij in positie worden gebracht door het handwiel naar beneden te drukken terwijl tegelijkertijd de hoek van het kussen met de andere hand wordt gewijzigd.
- Nadat de gewenste positie is bereikt, kunt u het handwiel loslaten en het met de klok mee weer vastdraaien tot het vast zit.

⚠ OPGELET!

De vergrendeling (A) moet gemakkelijk naar buiten getrokken kunnen worden. Als u weerstand voelt, moet u controleren of er geen gewicht op de armlleuning rust.

De armsteun verwijderen.

(maakt verplaatsing mogelijk)

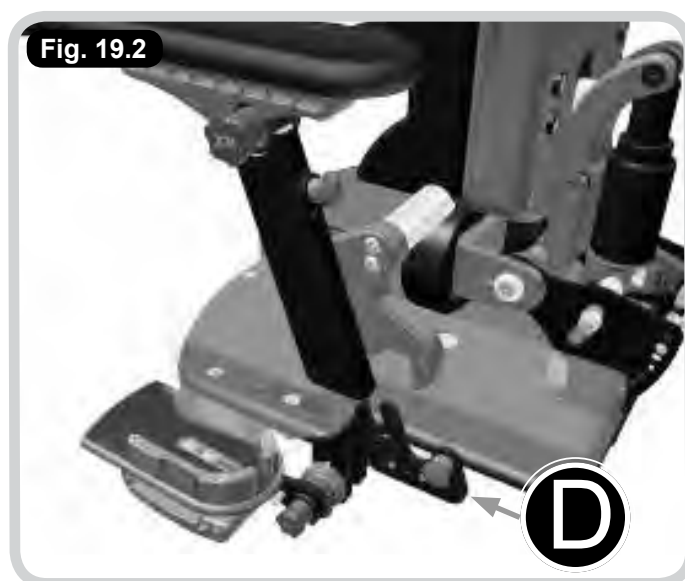
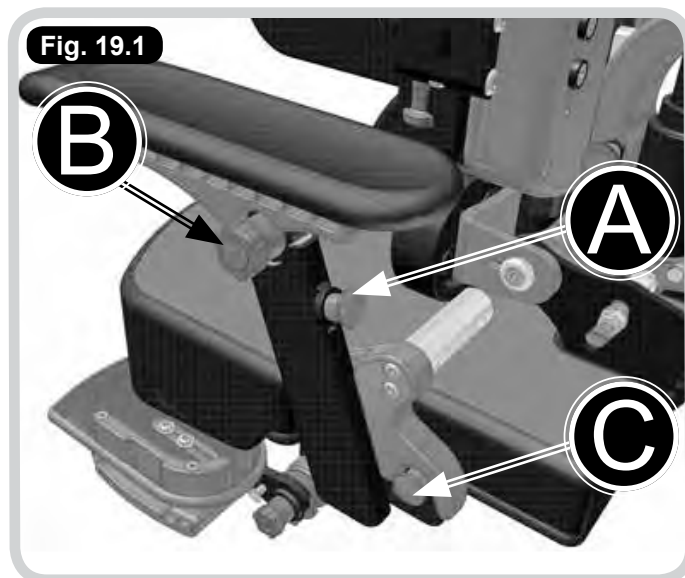
- Om de armlleuning volledig te verwijderen (compleet met het hieraan bevestigde heupkussen), trekt u met één hand vergrendeling (C) naar buiten en houdt deze in de positie naar buiten. Til de hele armlleuning met de andere hand omhoog en weg van de stoel.
- Om de armlleuning terug te plaatsen, voert u deze handeling omgekeerd uit: laat de armlleuning terugzakken op de fixatieplaat (D), waarbij u de vergrendeling open houdt, zodat alles volledig op zijn plaats valt, voordat u de vergrendeling loslaat en de armsteun weer in de positie wordt vergrendeld.

⚠ WAARSCHUWING!

Controleer altijd of de armlleuning van de stoel goed vastzitten voordat de stoel wordt gebruikt.

⚠ OPGELET!

De hoek van de armlleuning - Het is ook mogelijk de armlleuning van positie te wijzigen zonder het handwiel naar beneden te drukken. Dit wordt niet aanbevolen omdat het mogelijk de levensduur van het vergrendelingsmechanisme verkort.



20.0 Aanpassing/Verwijdering beensteun

Gedeelde optie:

OPMERKING: Wanneer de stoel is uitgerust met gedeelde beenstangen/voetenplaten, is het mogelijk de hoek voor links en rechts onafhankelijk in te stellen. Volg hiertoe de onderstaande instructies voor iedere beenstang.

Aanpassing hoek

- Trek vergrendeling A naar buiten en houd hem met één hand in deze positie voordat u de hoek van de beensteun met uw andere hand naar de gewenste hoek aanpast.
- Wanneer de gewenste positie is bereikt, laat u de vergrendeling los zodat hij zeker in de volgende beschikbare vergrendelingspositie valt.
- Controleer of de vergrendelingen goed en in de juiste positie zijn vergrendeld.

Verwijderen van de beenstang

Hierdoor wordt een staande verplaatsing mogelijk.

OPMERKING: Het verwijderen van de voetenplaat kan ook helpen wanneer de stoel voor transport wordt verpakt, of wanneer de zitting op een chassis met eigen geïntegreerde voetenplaat wordt geplaatst.

- Om de beenstangen volledig te verwijderen (inclusief de hieraan bevestigde voetenplaat), verwijder veiligheidsnaaf B met behulp van de meegeleverde 4mm inbussleutel.
- Wanneer deze is verwijderd, trekt u vergrendeling A naar buiten en houdt hem met één hand in deze positie terwijl u met uw andere hand de hele beensteun wegtrekt van het hoofddeel van de ziteenheid.
- Om terug te plaatsen, voert u deze handeling omgekeerd uit: plaats de beensteun op de bevestigingshaak C, waarbij u de vergrendeling open houdt, zodat alles volledig op zijn plaats valt, voordat u de vergrendeling loslaat en de beensteun weer in de positie wordt vergrendeld.
- Plaats de veiligheidsnaaf weer terug met behulp van de meegeleverde 4mm inbussleutel.

Fig. 20.1

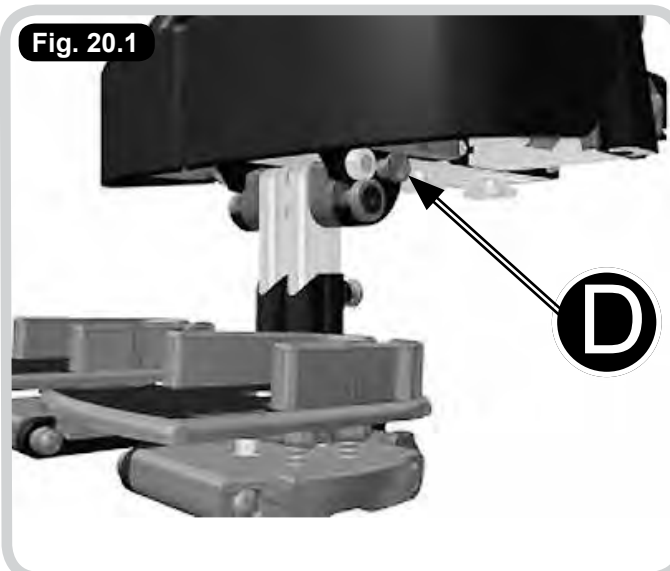
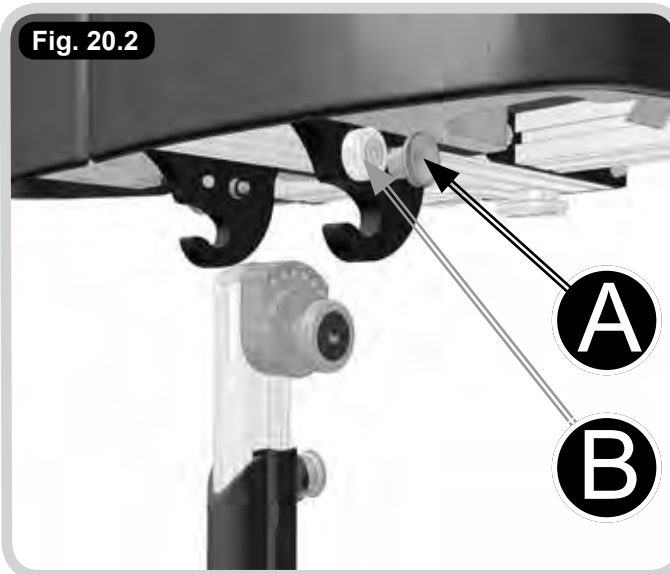


Fig. 20.2



21.0 Aanpassing voetpositie

Aanpassing hoek voetenplaat

- Om de hoek van de voetenplaat in te stellen, moet u het handwiel A losmaken door het enkele slagen tegen de klok in te draaien.
- Als de voetenplaat is ontkoppeld, kan hij in positie worden gebracht door het handwiel naar beneden te drukken terwijl tegelijkertijd met de andere hand de hoek wordt gewijzigd.

Nadat de gewenste positie is bereikt, kunt u het handwiel loslaten en het met de klok mee weer vastdraaien tot het vast zit.

Omhoog klappen van de voetenplaat

Hierdoor wordt een staande verplaatsing mogelijk.

- Druk met de ene hand op knop B, terwijl u uw andere hand gebruikt om de voetenplaat omhoog te klappen.
- Om terug te klappen draait u de voetenplaat gewoon naar beneden tot deze in de juiste positie vergrendelt.

Hoogte voetenplaat

- Trek vergrendeling C naar buiten en houd hem open, terwijl u met de andere hand de voetenplaat vasthoudt.
- Als hij is ontkoppeld, moet de stang van de voetenplaat vrij zijn om omhoog en omlaag langs de stang van de beensteun te glijden.
- Laat hem naar de gewenste positie glijden voordat u de vergrendeling loslaat om te vergrendelen in het dichtstbijzijnde gat.
- Controleer of de vergrendeling volledig vergrendeld is voordat u de stoel gebruikt.

Positionering van de voetenhouder

OPMERKING: De voetenhouder/plaat kan worden aangepast op voetmaat, in voorwaartse of achterwaartse richting, van zijde naar zijde (ruimte tussen voeten) en hoek van de voet (in combinatie met de abductieklos). Elk van deze aanpassingen wordt hieronder besproken.

Voetmaat

- Draai de schroeven D een halve slag los tegen de klok in, met behulp van de meegeleverde 4mm inbussleutel.
- Laat de hielgeleider naar binnen of naar buiten glijden om de voor de voet beschikbare ruimte smaller/wijder te maken.
- Herhaal dit, indien nodig, voor de andere hielgeleider voordat u schroef D weer aandraait om de hielgeleiders op hun plaats te houden.

Fig. 21.1

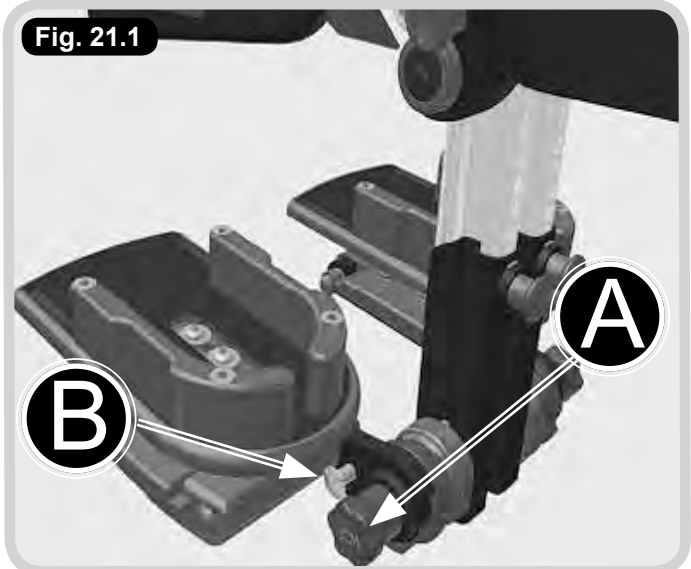
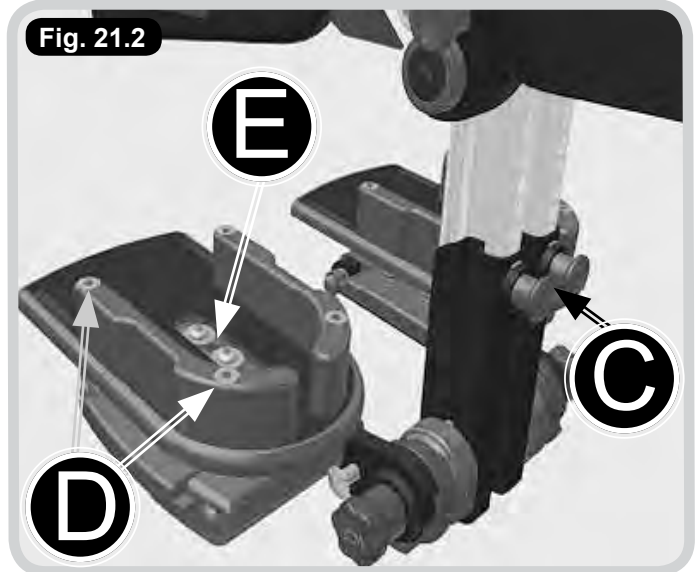


Fig. 21.2



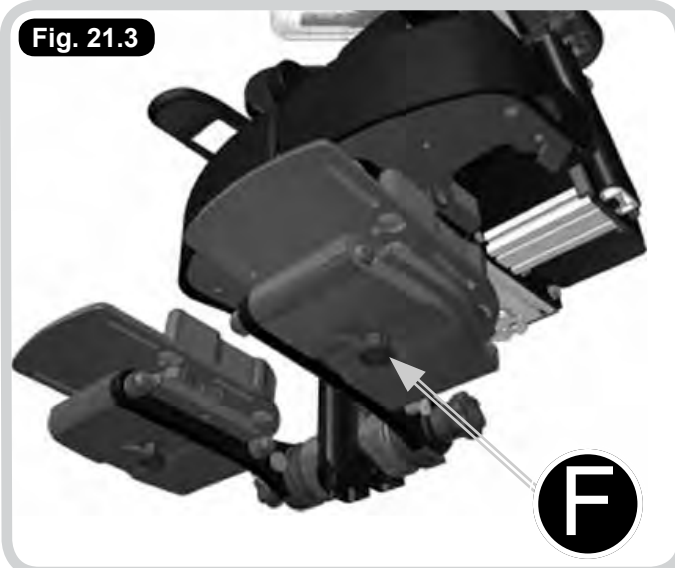
Aanpassing in voorwaartse of achterwaartse richting, draaiing

- Draai schroeven E met behulp van de meegeleverde 4mm inbussleutel een halve slag los tegen de klok in.
- Laat de hele voethouder naar voren of naar achteren glijden, terwijl u tegelijkertijd de rotatie van de plaat bepaalt.
- Nadat de gewenste positie is bereikt, draait u de schroeven weer vast om alles op zijn plaats te houden.

Aanpassing breedte

- Trek vergrendeling F naar buiten en houd hem open, terwijl u met de andere hand de voetenplaat vasthoudt.
- Als hij is ontkoppeld, moet de voetenplaathouder vrij zijn om opzij te schuiven, waardoor de voeten naar wens dicht bij elkaar of verder uit elkaar worden geplaatst.
- Wanneer de gewenste positie is bereikt, laat u de vergrendeling los zodat hij vergrendelt in het dichtstbijzijnde gat.
- Controleer of de vergrendeling volledig vergrendeld is voordat u de stoel gebruikt.

Fig. 21.3



Voetbanden

Voetbanden of enkelbeschermers kunnen worden bevestigd via de gleuven in de sandaal om de voeten vast te zetten. Doe de band door de gesp en sluit de gesp om hem te zekeren.

WAARSCHUWING!

Gebruik geen voetbanden tenzij de gebruiker schoenen draagt.

OPGELET!

- De vergrendeling (C) moet gemakkelijk naar buiten getrokken kunnen worden. Als u weerstand voelt, moet u controleren of er geen gewicht op de voetensteun rust.
- De hoek van de voetenplaat - Het is ook mogelijk de voetenplaat van positie te wijzigen zonder het handwiel naar beneden te drukken. Dit wordt niet aanbevolen omdat het mogelijk de levensduur van het vergrendelingsmechanisme verkort.

22.0 Instelling dynamische rugleuning

GEVAAR!

- Breng nooit veranderingen aan aan het veringsysteem. Door aanpassing, onjuist onderhoud of het gebruik van onderdelen die niet van Sunrise Medical zijn, vervalt de garantie. Bovendien kan dit tot een defect leiden dat op zijn beurt tot ernstig letsel kan leiden.
- Volg het onderhoudsschema; als het veringsysteem gebreken toont, zoals olieklekken, ongebruikelijke geluiden of als een onderdeel gebroken of verbogen is, gebruik de stoel dan niet langer en neem contact op met Sunrise Medical voor hulp.
- Probeer het veringsysteem nooit te openen of te ontmantelen. Het openen van het veringsysteem kan ernstig letsel veroorzaken.

Instellen van de weerstand en terugkeerkracht

Voor maximale prestaties en comfort, is het nodig de weerstand en terugkeerkracht van het dynamische mechanisme aan te passen (A). De weerstand wordt aangepast door de luchtdruk te variëren en moet worden bepaald op basis van het gewicht, de zitpositie, het stoelontwerp en de persoonlijke voorkeur van de gebruiker.

De luchtdruk wordt aangepast met een standaard Schrader klepveersysteem (B) op de hoofdafsluiter van het dynamische mechanisme.

Sterke weerstand:

Opvoeren van de luchtdruk

Hierdoor is het moeilijker om tijdens gebruik het veringsysteem in te drukken. De rugleuning van de stoel voelt steviger aan wanneer er tegen wordt gedruwd.

- Bevestig de pomp aan de luchtklep op de achterzijde van het dynamische mechanisme (B).
- Pomp lucht in de klep om de druk te verhogen.
- Kijk naar de luchtdrukmeter op de pomp om de hoeveelheid toegevoegde druk te bepalen.

Zwakke weerstand:

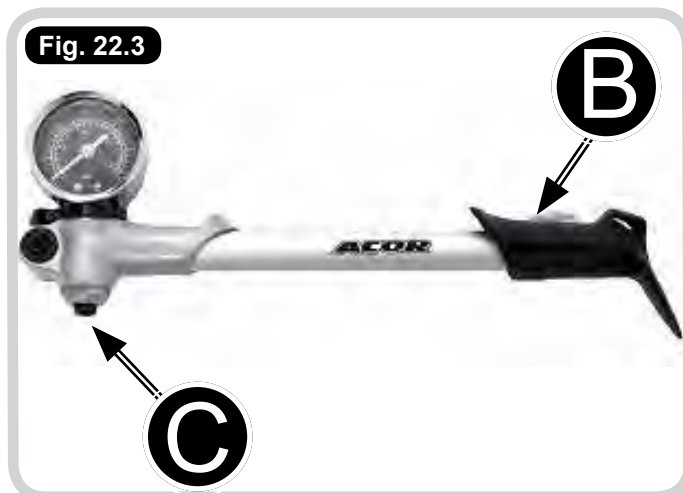
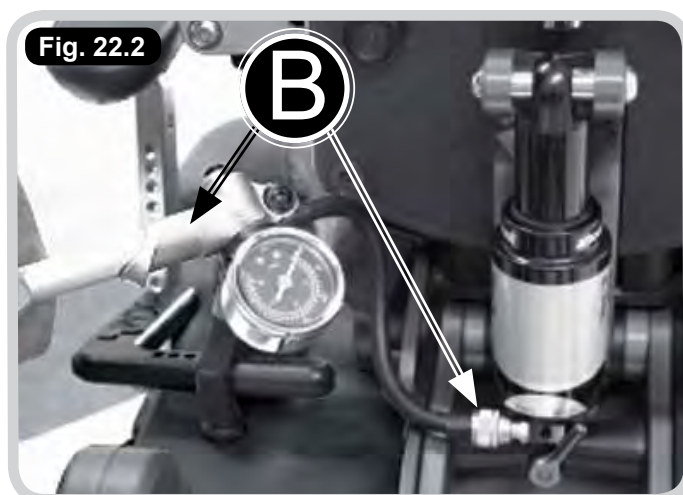
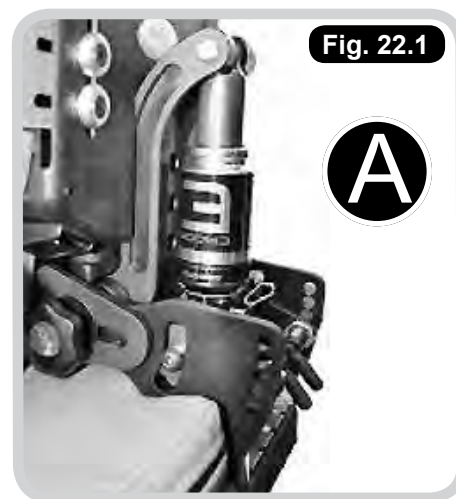
Verlagen van de luchtdruk

Hierdoor kan het veringsysteem gemakkelijker worden ingedrukt. De rugleuning van de stoel voelt zachter aan wanneer er tegen wordt gedruwd.

- Druk op knop (C) op de pomp en houd deze ingedrukt totdat de luchtdrukweerstand het gewenste niveau heeft bereikt.

GEVAAR!

- De druk mag variëren tussen 50-250psi.
- Overschrijd nooit een luchtdruk van 250psi in het niet-ingedrukte luchtveringsysteem.
- Het overschrijden van de maximale luchtdruk van 113 kg/inch kan leiden tot ernstig letsel.



Instellen van de terugkeerkracht

De terugkeerkracht bepaalt de snelheid waarmee het veringsysteem indrukt of terugkeert naar de oorspronkelijke positie. Hoeveel terugkeerkracht nodig is, hangt af van het gewicht van de gebruiker, de veerdruk die door de luchtdruk wordt bepaald, hoeveel de stoel wordt gebruikt, de manier waarop in de stoel wordt gezeten en de persoonlijke voorkeur.

De beste manier om de terugkeerkracht aan te passen, is om het systeem volledig te laten zakken door het rode stielwiel (D) met de wijzers van de klok mee te draaien (hierop staat: langzaam, "E") en te testen door de gebruiker in de stoel te plaatsen. Verhoog de demping door het wiel langzaam met de klok mee te draaien (hierop staat snel "E"), totdat de gebruiker zich gemakkelijk en veilig voelt zonder dat de luchtophanging de gebruiker te hard naar voren laat komen.

Het mechanisme ontkoppelen

Soms, bijvoorbeeld tijdens maaltijden, is het nodig het dynamische systeem uit te schakelen. Om dit te doen:

- Vergrendelt u het systeem door de hendel van 'open' naar 'gesloten' te schakelen op de hendel op het veringsysteem (F).
- In het dagelijkse gebruik mag het mechanisme niet voortdurend in de 'gesloten' positie blijven staan. U moet controleren of het mechanisme is teruggezet in de 'open' positie nadat de activiteit waarvoor de vergrendeling nodig was, is afgerond.

Onderhoudsschema

Het veringsysteem aan de achterzijde heeft slechts zeer weinig onderhoud nodig. Gebruik alleen water en zeep om het systeem te reinigen.

⚠ OPGELET!

Gebruik nooit een hogedrukspray of ander water onder druk om het veringsysteem te reinigen. Hierdoor kan water in het systeem komen.

Voor ieder gebruik:

- Controleer luchtdruk (het is normaal dat het veringsysteem na verloop van tijd een beetje lucht verliest). Controleer of de luchtdruk goed is aangepast aan uw klant.
- Pas de instelling voor de terugkeerkracht aan zodat deze correct is afgesteld voor uw klant.

Fig. 22.4

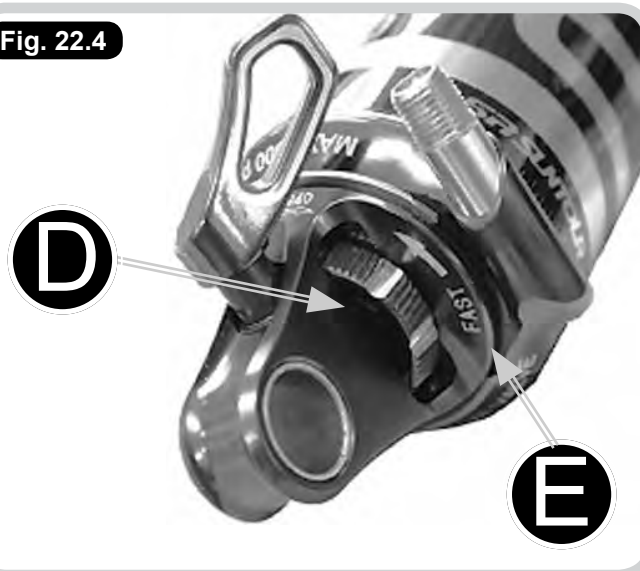


Fig. 22.5



⚠ WAARSCHUWING!

- De uitvoerige onderhoudsbeurt van het veringsysteem mag uitsluitend worden uitgevoerd door een hiertoe gemachtigde monteur.
- Notabene: uw Sunrise Medicalschokdemper is gevuld met olie en stikstof. Hierdoor is het onmogelijk om de schokdemper te openen zonder kennis en speciale werktuigen die nodig zijn om deze taak uit te voeren. Probeer nooit de schokdemper te openen voor onderhoudszaken. Dit leidt tot een zeer groot gevaar op ernstige verwondingen. Bovendien zult u niet in staat zijn de schokdemper weer in elkaar te zetten. Door het openen van de schokdemper vervalt de garantie.
- Als zich een probleem met uw schokdemper voordoet, stop dan het gebruik van de stoel direct en neem contact op met Sunrise Medical Seating Solutions.

23.0 Reiniging en Verzorging

We adviseren het onderstaande om de apparatuur grondig te reinigen:

OPMERKING: Soms ontstaan er kreukels aan het oppervlakte door deze procedés.

Onderhoud Stoffen bekleding

Wij verwijzen naar de afzonderlijke reinigingshandleiding voor stoffen, die u vindt op onze website www.SunriseMedicalseating.co.uk. Ook kunt u deze handleiding opvragen bij het kantoor van Sunrise Medical. Gebruik geen bleek, zuren, oplosmiddelen, schuurmiddelen of reinigingsmiddelen op biologische of fenolbasis.

Metalen frame

- Als alle bekleding van het metalen frame verwijderd is, kan dit met heet water met zeep of een ander schoonmaakmiddel worden gereinigd, of het kan door middel van stoomreiniging worden gereinigd. (Wanneer gebruikgemaakt wordt van stoomreiniging, moeten hierna mogelijk de labels opnieuw worden aangebracht).
- Zorg ervoor dat het frame na het reinigen zorgvuldig wordt gedroogd.
- Zorg er altijd voor dat bewegende of verstelbare delen opnieuw worden gesmeerd.

24.0 Algemeen onderhoud

Algemeen onderhoud moet uitgevoerd worden door een vakbekwame professional die goed op de hoogte is van de wijze waarop het zitsysteem wordt gebruikt (zie garantie blz. 33). Als er niemand aanwezig is die beschikt over dergelijke kennis, of als er een uitgebreide onderhoudscontrole nodig is, kunt u een onderhoudsbeurt laten uitvoeren bij een erkende onderhoudsmonteur (zie andere bladzijde). De persoon die de onderhoudscontrole of service uitvoert, moet altijd het servicelogboek invullen (blz. 32) om ervoor te zorgen dat de garantiebepalingen geldig blijven.

Zoals op de andere bladzijde wordt aangegeven, is de mate van onderhoud die nodig is, afhankelijk van verschillende factoren die verband houden met het gebruik van het product. In aanvulling op de waarschuwingen betreffende specifieke functionele aanpassingen die in deze handleiding worden gespecificeerd, dient een grondige inspectie van het onderstaande minstens één maal per zes maanden uitgevoerd te worden:

OPMERKING: Zie de onderhoudstabel op de volgende bladzijde.

OPMERKING: De hier opgenoemde punten gelden in zijn algemeenheid voor Sunrise Medical producten maar zijn niet op alle producten van toepassing.

Onderhoudstabel

Voorwielen	Til de basis op en controleer ieder wiel om te zien of het niet beschadigd is, los zit of versleten is.
Remmen	Verwijder vet of vuil dat zich op de wielen heeft opgehoopt, controleer of de remmen goed functioneren en het draaien van de wielen stoppen. Controleer of ze goed op de juiste plaats zijn bevestigd en of er geen tekenen van beschadiging of slijtage zijn.
Duwhendels	Controleer of de hendels correct functioneren. Controleer of er geen tekenen van beschadiging of slijtage zijn. Controleer of de grepen van de duwhendels goed vastzitten.
Kantelmechanisme zitting	Ontgrendel de kantelvergrendeling en controleer op vrije beweging en of er geen tekenen van beschadiging of slijtage zijn aan het mechanisme, de hendel of de kabels. Draai de vergrendeling aan en controleer of het de zithoek vasthoudt.
Aanpassing hoogte basis	Druk, zonder dat er iemand op de stoel zit, op de hendel en controleer of de stoel gemakkelijk naar de maximale hoogte gaat. Voeg stapsgewijs gewicht toe tot aan de maximale belasting (40, 60, 80 of 100kg) en controleer gedurende enige tijd (ongeveer 10-15 minuten) of er geen speling is en de stoel niet naar beneden zakt. Als het praktisch niet haalbaar is om deze test uit te voeren, moet tenminste direct na een onderhoudscontrole, de statische positie van de stoel worden gecontroleerd terwijl er een gebruiker in de stoel zit. Druk, terwijl er iemand op de stoel zit, op de hendel en controleer of de stoel gemakkelijk naar de laagste positie gaat.
Bekleding zitting / rugleuning	Controleer of de bevestigingspunten van de bekleding van de zitting en rugleuning goed vast zitten. Controleer of de bekleding niet versleten is. Ruwe, versleten bekleding kan voor ongemak zorgen, is moeilijker schoon te houden en kan huidirritatie veroorzaken.
Interface	Controleer of er geen tekenen van beschadiging of slijtage zijn. Controleer of de functie de ziteenheid op de juiste wijze borgt.
Frame Met het juiste onderhoud moet het frame minstens vijf jaar zonder problemen meegaan, maar afhankelijk van het gebruik zal er slijtage optreden. Een grondige inspectie wordt daarom aanbevolen.	Controleer alle metalen delen of er geen tekenen van beschadiging of slijtage zijn. Let daarbij vooral op de verstelbare of bewegende delen. Controleer of er geen tekenen van geen gebreken in de verbindingen en lasnaden zijn. Controleer of alle bevestigingsmaterialen, bouten, moeren, schroeven, slagpennen of ander bevestigingsmateriaal goed en zeker vast zitten. Controleer op tekenen van materiaalmoetheid, vervang onderdelen die er gesleten uitzien of herhaaldelijk losraken. Om de veiligheid te garanderen, moeten VERANKERINGSPUNTEN (waar van toepassing) voor transport, worden gecontroleerd op tekenen van beschadiging, gebreken of slijtage.
Overig	Controleer armkussens en hoofdsteun en vervang deze als ze versleten zijn.

Wat moet er tijdens een servicebeurt worden gedaan?

Een servicebeurt is een uitgebreide combinatie van inspectie, onderhoud en reparatie of vervanging van versleten, kapotte of ontbrekende onderdelen. De groei en veranderingen in de behoeften van de gebruiker sinds de stoel in gebruik werd genomen, worden in overweging genomen wanneer de service wordt uitgevoerd. Dit is niet hetzelfde als een algemene onderhoudsbeurt (zie hiernaast), waarbij alleen eenvoudige controles, inspecties en aanpassingen plaatsvinden en primaire onderhoudsdiensten worden gepland.

Wat gebeurt er als er een defect wordt aangetroffen?

Als er een gebrek wordt aangetroffen dat een risico vormt voor de gebruiker of begeleider, mag de stoel niet langer worden gebruikt, totdat hij is gerepareerd.

Wie moet de servicebeurt uitvoeren?

Wij willen benadrukken dat uitsluitend een door Sunrise Medical erkende monteur of een persoon die een opleiding heeft gehad voor onderhoud medische hulpmiddelen Klasse 1, dit werk mag uitvoeren.

Er mag niets aan de stoel worden gewijzigd zonder voorafgaande toestemming van Sunrise Medical Seating Solutions Ltd. Niet-goedgekeurde wijzigingen kunnen een risico vormen voor gebruikers en begeleiders. Niet-goedgekeurde wijzigingen doen ook de garantie teniet.

Als er onderdelen vervangen moeten worden, moeten dit oorspronkelijke, door Sunrise Medical Seating Solutions Ltd. goedgekeurde onderdelen zijn, die worden gemonteerd volgens de specificatie van Sunrise Medical.

Frequentie onderhoud

Sunrise Medical adviseert dat dit product minstens iedere zes maanden een servicebeurt ondergaat. De frequentie van inspecties en onderhoud moet echter aangepast worden aan de intensiteit van gebruik. Als de stoel op een van onderstaande manieren wordt gebruikt, kan worden gesteld dat het gebruik constant en tamelijk zwaar is. In dat geval adviseren we de interval tussen servicebeurten te verkorten naar iedere drie maanden:

- Dagelijks gedurende 8 tot 10 uur.
- Wekelijks gedurende minstens 6 van de 7 dagen.
- Maandelijks gedurende minstens 11 maanden van het jaar.
- Door een actieve gebruiker of iemand die vrijwillig of onvrijwillig erg beweeglijk is.
- Door een gebruiker die zwaarder is dan 80% van het maximaal aanbevolen gebruikersgewicht.
- Wanneer minstens twee maal per dag transport in een bewegend voertuig plaatsvindt.



OPGELET!

Als het gebruik de bovenstaande getallen overstijgt, moet het onderhoud mogelijk iedere zes weken, of misschien nog vaker plaatsvinden.

Hoe boekt u een servicebeurt?

Sunrise Medical heeft monteurs aangewezen die opgeleid zijn om onze producten te onderhouden. Als u wilt dat uw stoel door Sunrise Medical wordt onderhouden, of als u meer informatie wilt, neem dan contact op via: 01733 405830.

Ook kunt u contact opnemen met de persoon die het product aan u heeft overgedragen.

26.0 Onderhoudslogboek

Dit logboek is een belangrijk registratiemiddel van het gebruik en onderhoud van dit product. Het is een belangrijk hulpmiddel om de noodzaak van service en onderhoud in de toekomst te kunnen voorspellen. Daarom moet dit logboek telkens wanneer een inspectie, onderhoudsbeurt of andere belangrijke handeling heeft plaatsgevonden, worden ingevuld. Sunrise Medical Seating Solutions Ltd. vraagt om bewijs van onderhoud bij garantievoorvorderungen of -bestellingen.

Zitsysteem Serienummer _____

Leveringsdatum _____ / _____ / _____

Uiterste gebruiksdatum accu _____ / _____ / _____

Datum	Uitgevoerde service	Organisatie	Naam in blokletters & handtekening

Neem contact op met Sunrise Medical als er aanvullende logboekbladen nodig zijn.

27.0 Inspectie en heruitgave van product

De meeste producten van Sunrise Medical Seating Solutions Ltd. worden individueel per klant beoordeeld voordat het product wordt afgegeven. Producten worden op een gecontroleerde wijze overhandigd om optimale aanpassing en specificaties te verzekeren, te garanderen dat controles zijn uitgevoerd en om te garanderen dat alle extra individuele, mondelinge instructies worden gegeven. We adviseren daarom onderstaande punten na te leven wanneer een product opnieuw wordt uitgegeven:

Reiniging

Voer een grondig reinigingsprogramma uit om het product te ontsmetten en de kans op kruisbesmetting te voorkomen.

Beoordeling van de bekleding / het schuim

Controleer zorgvuldig de conditie van de stoffen en het schuim van de stoel en vervang, indien nodig, delen gedeeltelijk of zelfs geheel. In ernstige gevallen, als het chassis versleten is en de zitting in slechte conditie is, kan het noodzakelijk zijn om het product terug te zenden naar de fabrikant om het daar opnieuw te laten bekleden. In zeer ernstige gevallen, als het chassis versleten is en de zitting in slechte conditie is, kan het noodzakelijk zijn om het product uit bedrijf te nemen en als afval te verwijderen.

Uit bedrijf nemen van elektrische en elektronische apparatuur

Indien uw product is toegerust met een elektrische functie, dient u altijd contact op te nemen met Sunrise Medical of uw erkende vertegenwoordiger voor meer informatie over de afvoer van het product.

Geschiktheid van product

Controleer of het geleverde product geschikt is voor de behoefte van de gebruiker, waarbij leeftijd, gewicht, vermogen, diagnose en andere belangrijke factoren in overweging worden genomen. Producten van Sunrise Medical Seating Solutions Ltd. kunnen bijvoorbeeld ongeschikt zijn voor personen met zeer uitdagende gedragspatronen. Controleer ook of de veilige gespecificeerde begrenzings voor gebruik door de nieuwe gebruiker niet worden overschreden. Uw verkoper kan u adviseren over de geschiktheid van het product.

Handleidingen en gegevens

Zorg ervoor dat de gebruikershandleiding en andere aanvullende handleidingen voor de ziteenheid worden overgedragen aan de nieuwe gebruiker tezamen met het product en controleer of het servicelogboek bijgewerkt is. De gegevens over de nieuwe gebruiker moeten worden bijgewerkt om traceerbaarheid te behouden.

Inspectie

Het product dient een uitgebreide inspectie te ondergaan voordat het opnieuw wordt afgegeven, waarbij de onderhoudspunten die tot de halfjaarlijkse routinematige controle behoren, worden gecontroleerd, ongeacht of dergelijke controles recentelijk werden uitgevoerd. Het product mag niet overmatig versleten zijn of op enig deel van de hoofdconstructie of accessoires verbogen zijn.

Conditie

Wielen, banden en remmen moeten in goed functionerende staat zijn, op de juiste wijze zijn aangepast en opgepompt zoals het hoort.

Accessoires

Controleer alle accessoires zorgvuldig op schade en mogelijke gebreken die een risico kunnen vormen voor de gebruiker.

Functie

Controleer of alle functies van de stoel correct functioneren, zoals de kantelhoekfunctie, hoogteverstelling, rughoekverstelling, opvouwbaarheid, etc.

Bevestigingsmaterialen

Controleer of alle knoppen, handwielen, moeren, schroeven, hendels en bevestigingsmaterialen in goede conditie zijn en vast en op de goede plaats zijn bevestigd

Aanpassingen

Bijzondere aanpassingen, wijzigingen of andere procedures, zoals extra accessoires, moeten wellicht opnieuw worden bekeken. Als deze aanpassingen ongepast blijken te zijn, dient indien mogelijk een herstelactie (indien dit veilig en praktisch wordt geacht) uitgevoerd te worden om de aanpassingen ongedaan te maken.

Labels

Aangebrachte labels die specifiek voor de voorgaande gebruiker waren, dienen te worden verwijderd en vervangen door labels die specifiek op de nieuwe gebruiker van toepassing zijn.

Aanpassing

Aanpassingen van het product voor de nieuwe gebruiker moeten uitgevoerd worden door gepaste, gekwalificeerde en ervaren vakmensen. Deze aanpassingen, samen met andere toepasselijke controles en tests, moeten worden uitgevoerd met medeweten en goedkeuring van de eigenaar.

Overdracht

Een goede overdracht van het product aan de nieuwe gebruiker of begeleider moet gepaste training en advies over veilig gebruik omvatten, in het bijzonder betreffende transport van het product.

Verpakking

Controleer voor levering altijd of de stoel correct is ingepakt.

Bevestiging van hendel

Merk op dat de gemonteerde hendel afhankelijk is van de maat van de stoel. U moet daarom controleren of de maatlabel op de hendel overeenkomt met de maat van de stoel die wordt gebruikt.



OM_Pluton_EU_EN_DE_FR_IT_NL_Rev.2.0_2015_04_20

